

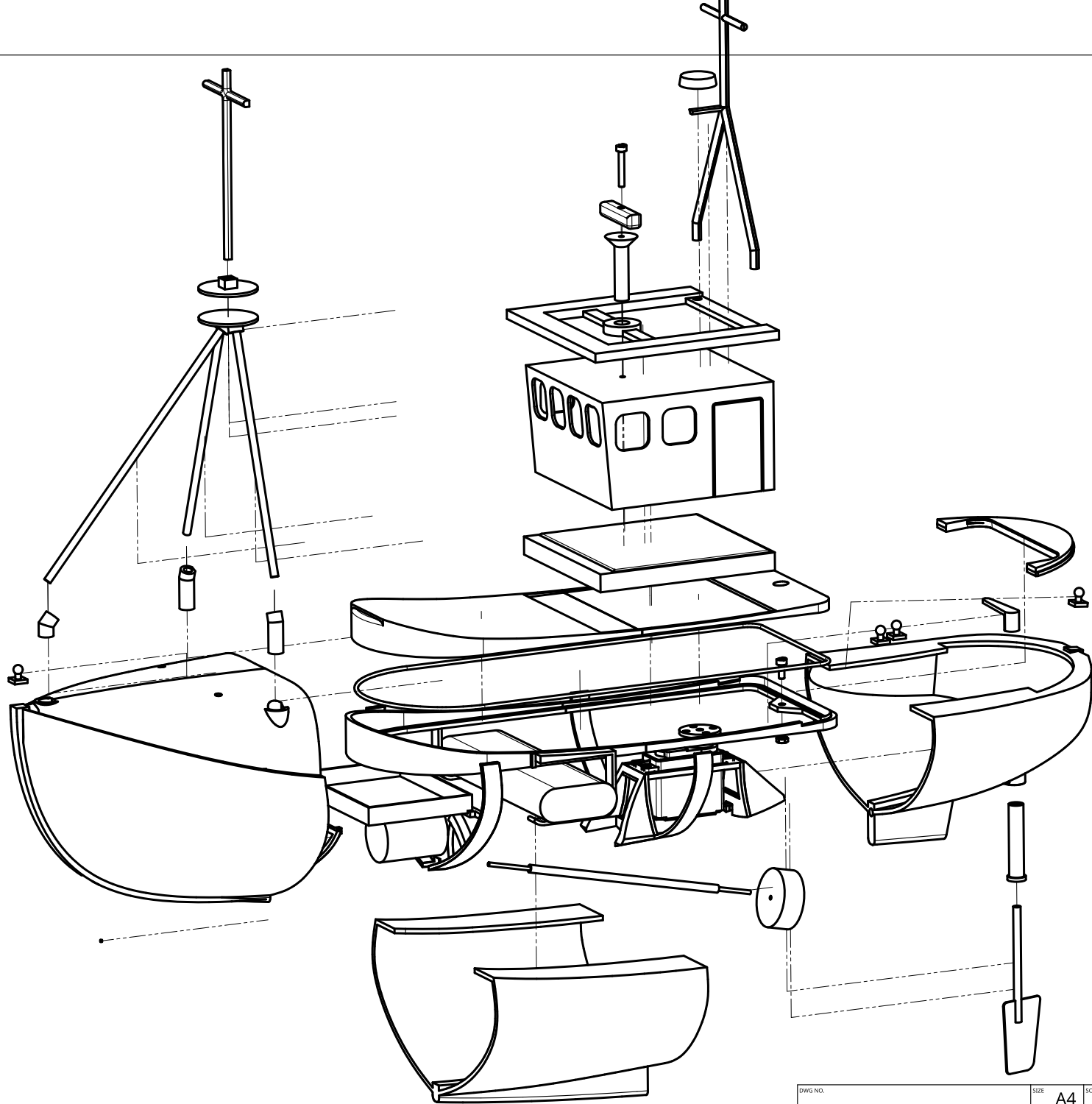
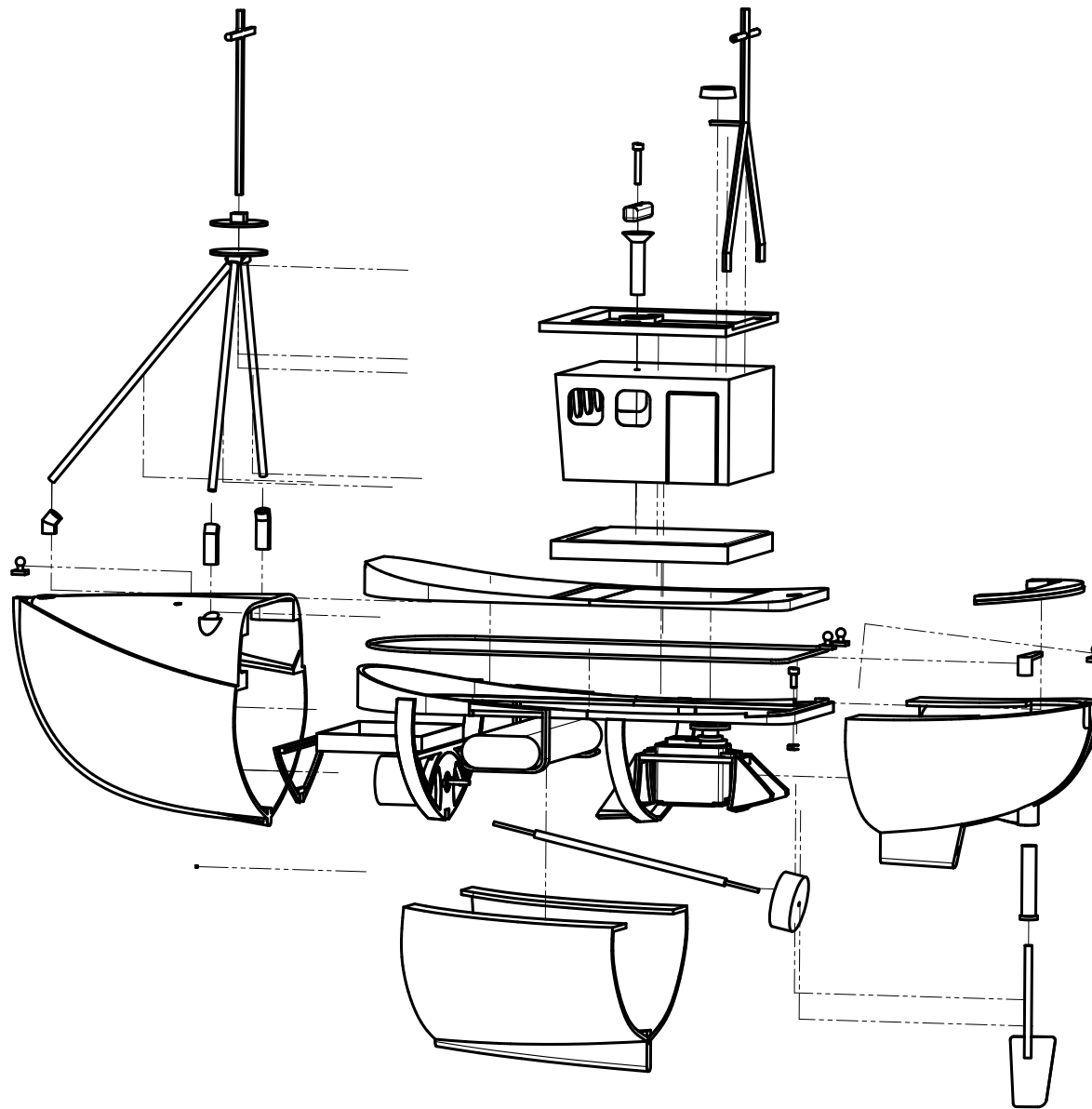


UNLESS OTHERWISE SPECIFIED, DIMENSIONS ARE IN MILLIMETERS ANGULAR = ± ° SURFACE FINISH  DO NOT SCALE DRAWING BREAK ALL SHARP EDGES AND REMOVE BURRS FIRST ANGLE PROJECTION 		NAME	SIGNATURE	DATE	TITLE
	DRAWN	FELIX NYFFENEGGER		2023-12-01	
	CHECKED				
	APPROVED				
	MATERIAL	FINISH		SIZE A4	DWG NO.
				SCALE 1:2	WEIGHT
					SHEET 1 of 3





1:4