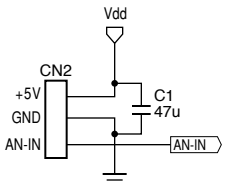
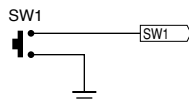


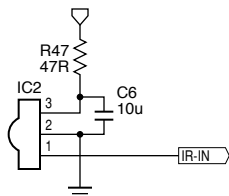
ICSP Connector



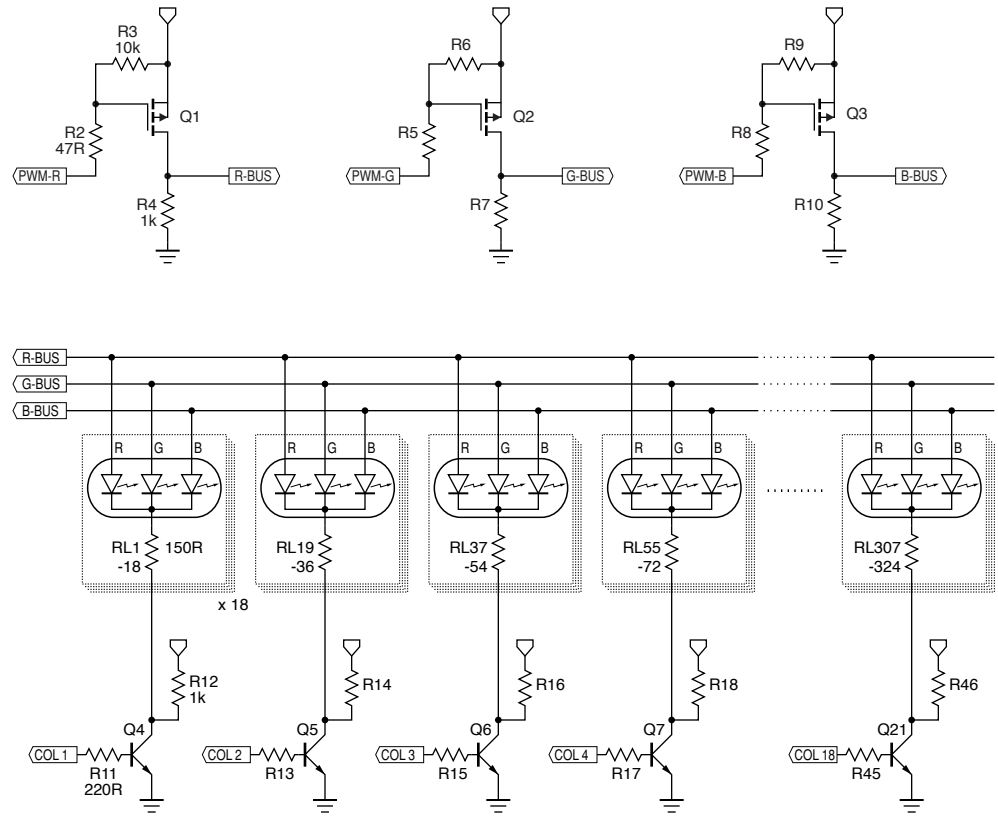
Power Supply Connector



Push Button



IC2: GP1UX311QS



Q1 - 3: DMP3098L
Q4 - 21: MMBT2222A

BOM

- 4x 47 ohm (0603)
- 324x 150 ohm (0603)
- 18x 220 ohm (0603)
- 21x 1k ohm (0603)
- 4x 10k ohm (0603)
- 3x 0.1uF (0603)
- 2x 10uF (1206)
- 1x 47uF (1210)
- 3x DMP3098L (P-MOSFET)
- 18x MMBT2222A (NPN BJT)
- 1x PIC24FV16KA304
- 1x GP1UX311QS or equivalent
- 1x Tactile Switch
- 324x Tricolor LED (common-cathode)

Title Aurora 18x18			
Date 3/15/2012	Rev. 2D	Sheet 1 of 1	
Designed by Akimitsu Sadoi			