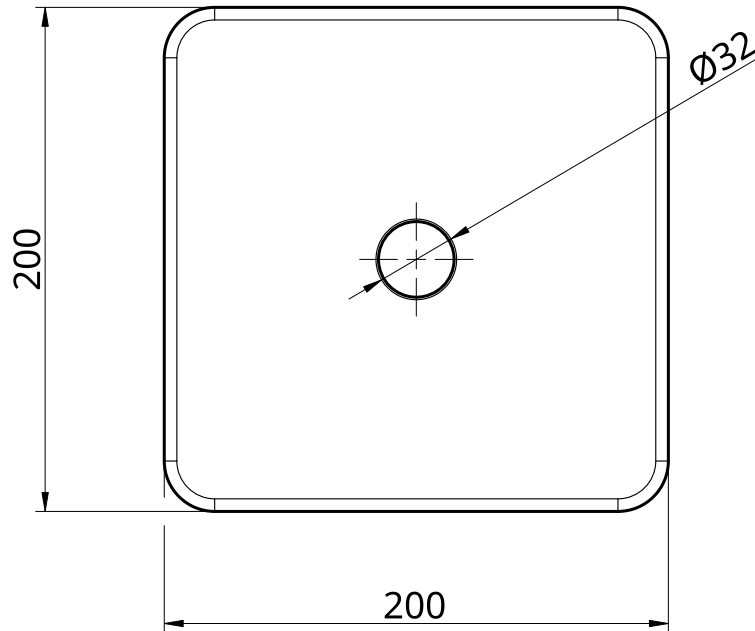
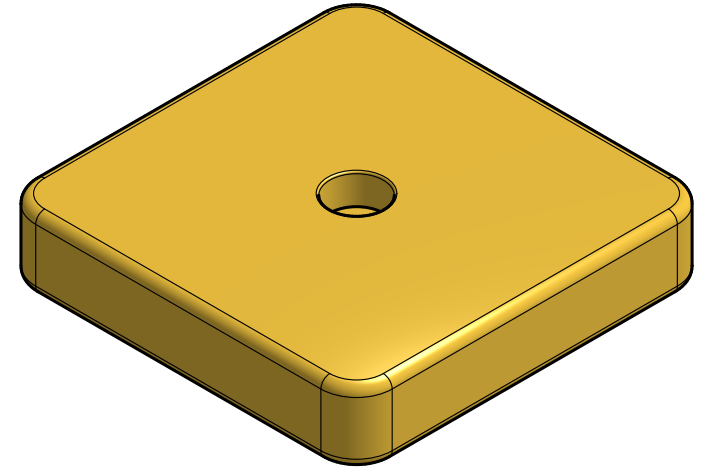
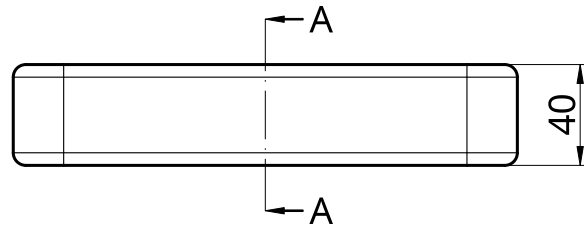




A - A



UNLESS OTHERWISE SPECIFIED, DIMENSIONS ARE IN MILLIMETERS ANGULAR = ± ° SURFACE FINISH  DO NOT SCALE DRAWING BREAK ALL SHARP EDGES AND REMOVE BURRS FIRST ANGLE PROJECTION 		NAME	SIGNATURE	DATE	TITLE Baseplate		
	DRAWN	ROMBOUT JANSEN		2024-06-21			
	CHECKED						
	APPROVED				SIZE	DWG NO.	REV.
		MATERIAL	FINISH		A4		
	Layered plywood			SCALE	WEIGHT	SHEET	
				1:3		1 of 1	