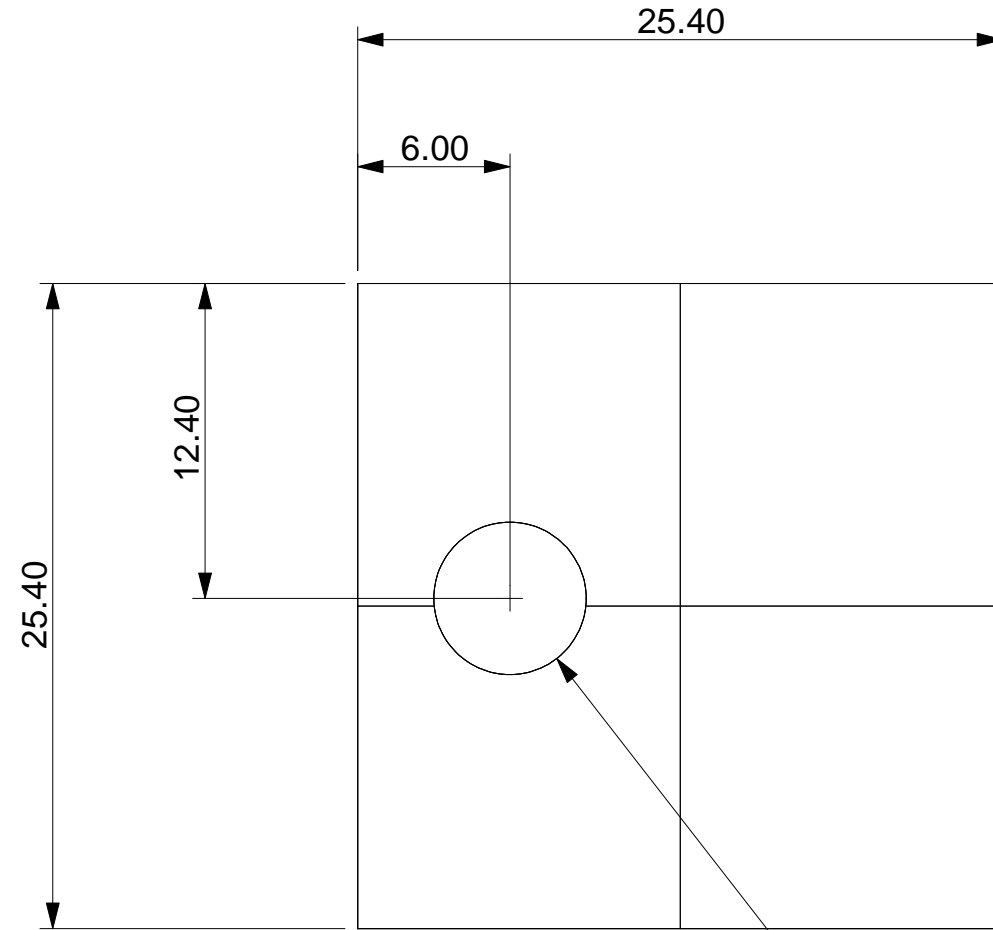


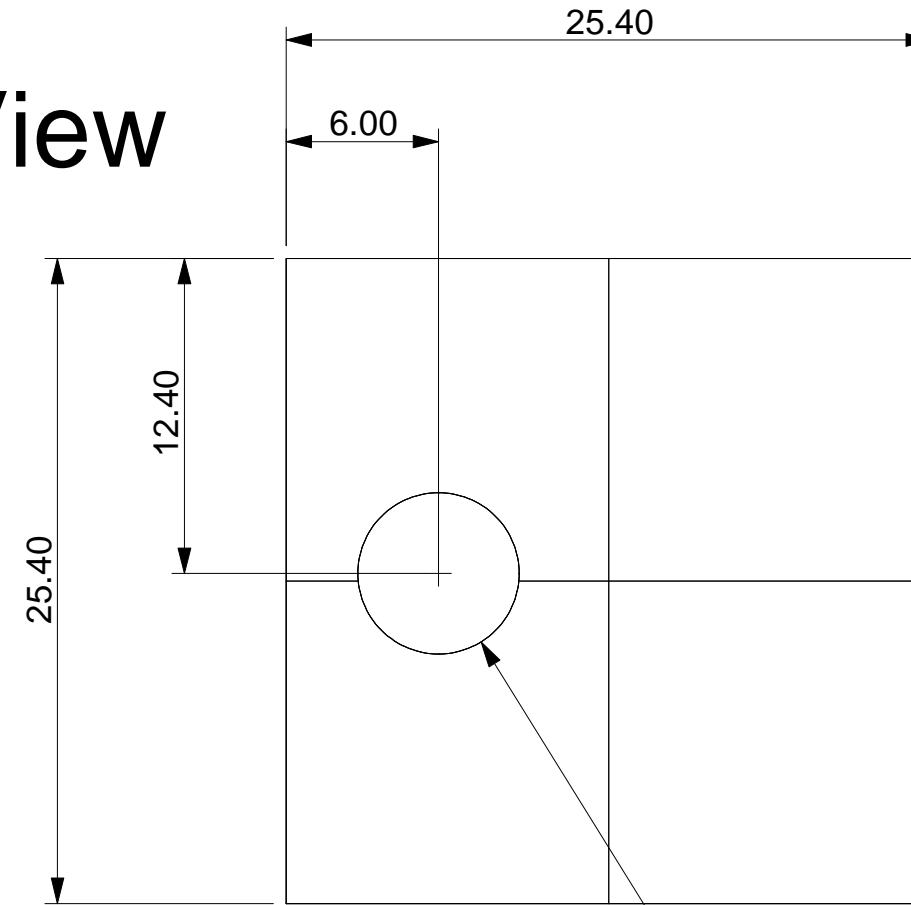
# Belt Clamp Block for 2BEIGH3 3D Printer Table

## Bottom Clamp



### Top View

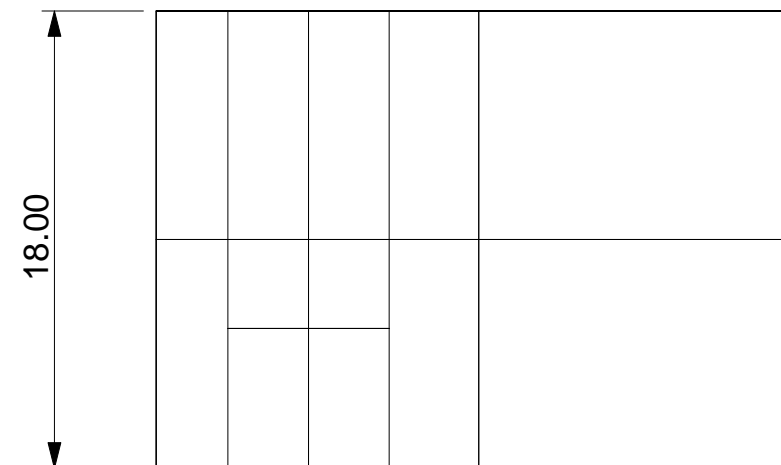
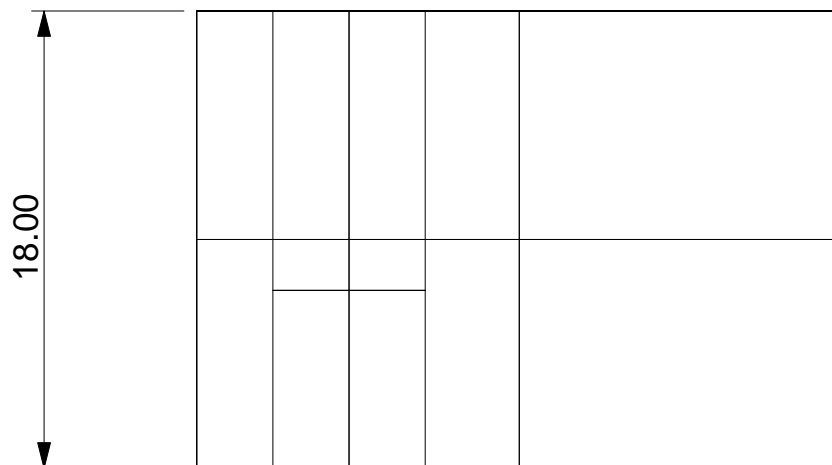
## Top Clamp



Drill to 1/4"

Drill 7/32 and then tap for 1/4 20

### Front View



Material is cut from a 1" x 1" x 12" Delrin Plastic bar