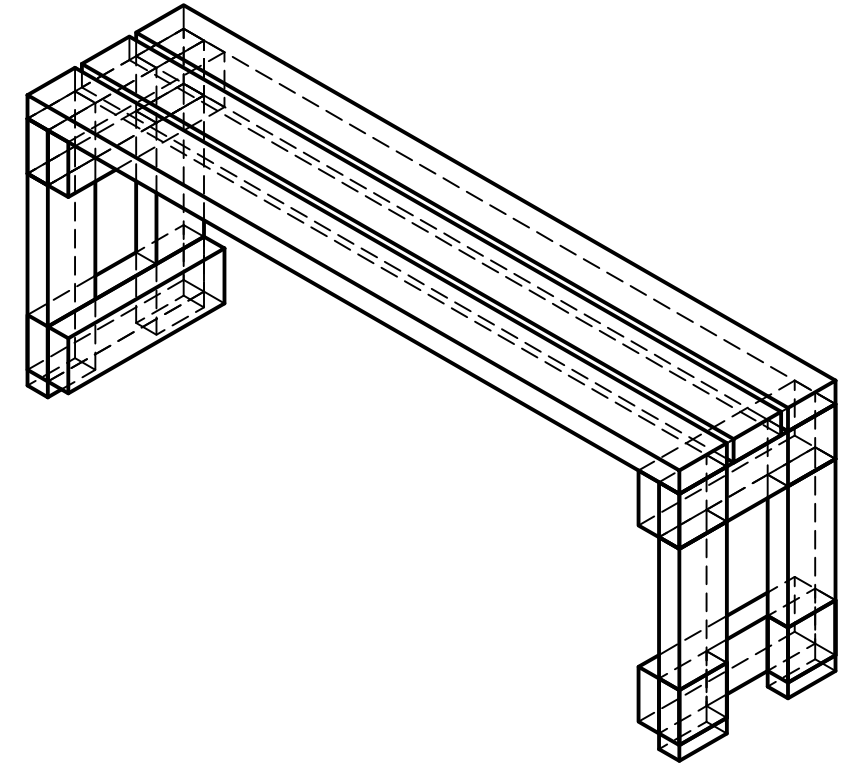
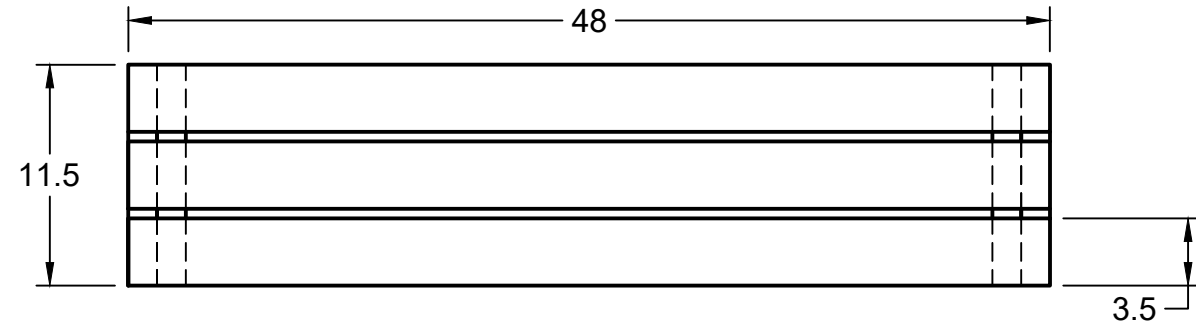
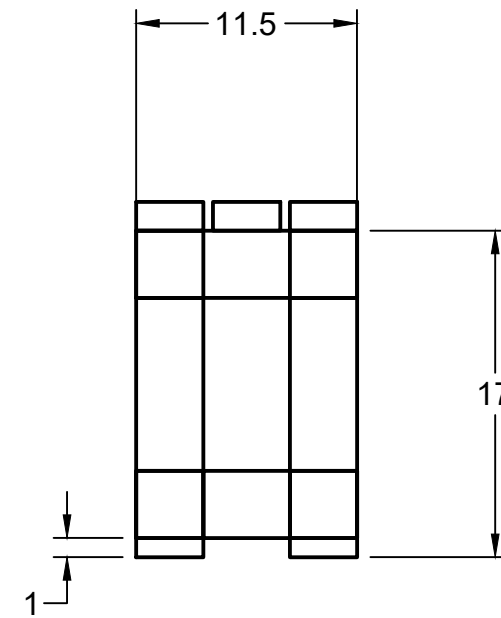


	PROJECT <b>Long Term Project</b>			
	TITLE <b>Van's Hydroponic System</b>			
APPROVED	SIZE	CODE	DWG NO	REV
CHECKED	B			
DRAWN	Vanden Nelson	3/2/2026	SCALE 1:10	WEIGHT
				SHEET 1/3

Top View



Side View



Front View



PROJECT

Long Term Project

TITLE

Stand

APPROVED

SIZE

CODE

DWG NO

REV

CHECKED

B

DRAWN

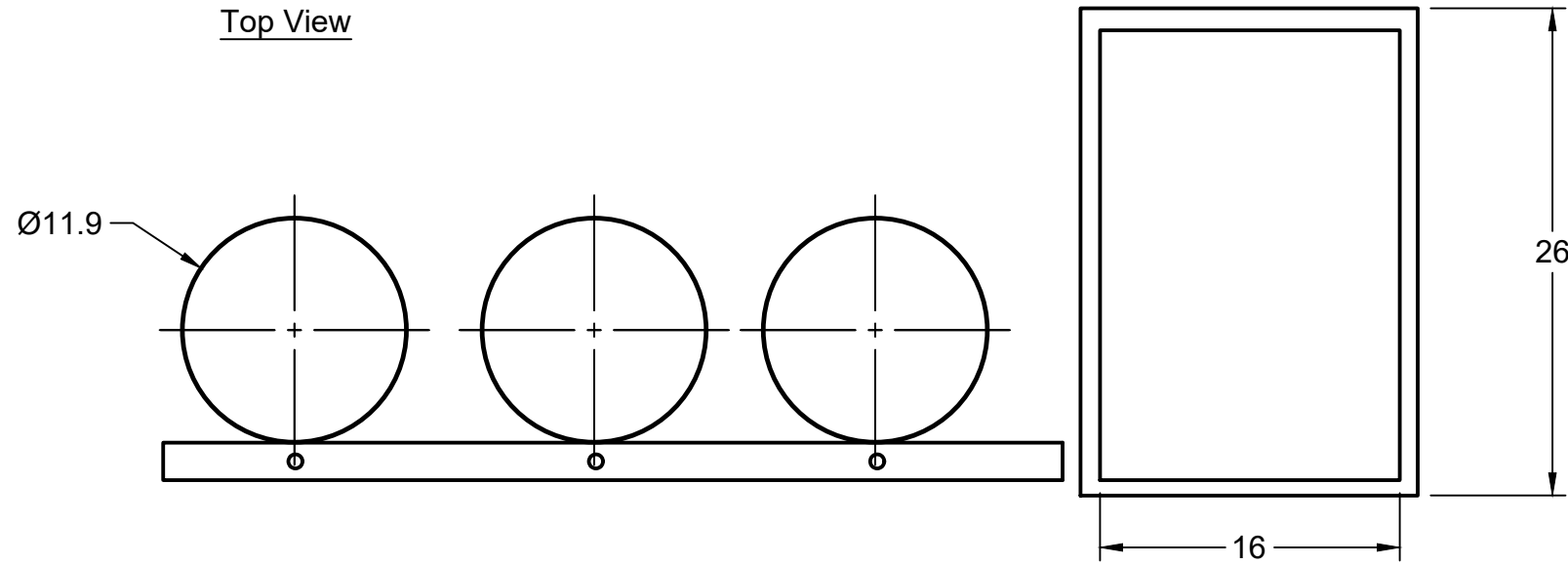
Vanden Nelson 3/2/2026

SCALE 1:10

WEIGHT

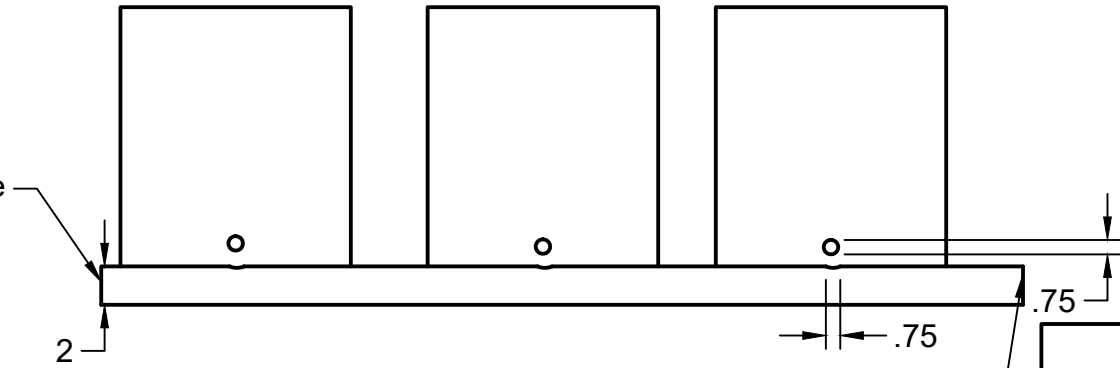
SHEET 2/3

Top View



Dimensions are avg. but  
not critical to picking a  
resevoir

PVC end cap here



Front View

Attach elbow here

Durable Storage Tote  
-Ones with dark lids block UV much better

	PROJECT <b>Long Term Project</b>			
	TITLE <b>Drainage</b>			
APPROVED	SIZE	CODE	DWG NO	REV
CHECKED	B			
DRAWN	Vanden Nelson	3/2/2026	SCALE 1:10	WEIGHT
			SHEET 3/3	