



Termomeccanica Industrial Compressors

Termomeccanica Group

SCREW COMPRESSORS for air applications





Il gruppo Termomeccanica Tradizione, tecnologia e innovazione

Termomeccanica fu fondata in La Spezia nel 1912 come “Società Cerpelli & C”, divenendo successivamente negli anni 30 “Termomeccanica Italiana S.p.A.” Nel gennaio 1995, le attività della società Termomeccanica Italiana S.p.A., appartenente al Gruppo di Stato EFIM in liquidazione, sono state cedute a Termomeccanica S.p.A. affinché, con management privato, fossero perseguite le storiche tradizioni della società nei campi manifatturiero e impiantistico.

Termomeccanica è oggi un gruppo industriale italiano tra i principali operatori nei settori dell'Ecologia e della Meccanica. Leader nazionale nella produzione di grandi pompe industriali e nell'impiantistica ecologica, il gruppo progetta, realizza e gestisce soluzioni tecnologiche d'avanguardia.

Termomeccanica svolge le sue attività in Italia ed all'estero attraverso le seguenti società operative, specializzate nei rispettivi mercati di riferimento:

TM.P. SpA Termomeccanica Pompe sviluppa, costruisce e commercializza pompe centrifughe ingegnerizzate per applicazioni nei settori della Produzione di Energia, Dissalazione, Movimento delle Acque, dell'Oil & Gas ed Industria

TM.I.C. Srl Termomeccanica Industrial Compressors è leader italiano nella progettazione, costruzione e commercializzazione di compressori rotativi lubrificati ad olio per applicazioni aria e gas.

TM.E. SpA Termomeccanica Ecologia si occupa della progettazione e costruzione di opere di ingegneria ambientale ed industriale per la Produzione di Energia (da rifiuti solidi urbani e da Fonti Rinnovabili quali biomasse, biogas, eolico e solare) e per il trattamento tecnologico delle acque ad uso civile ed industriale (potabilizzazione, dissalazione e depurazione).



Termomeccanica Group Tradition, technology & innovation

Termomeccanica was established in 1912 in La Spezia as “Cerpelli & C.” and later became a stock company in the 1930s, taking the name of “Termomeccanica Italiana S.p.A.”

In January 1995, further to the dissolution of EFIM, the state-owned group it belonged to, the activities and shares of Termomeccanica Italiana S.p.A. were transferred to privately-owned and -managed Termomeccanica S.p.A. with the aim to continue the company's strong heritage in the manufacturing and turn-key plants sectors.

Today, Termomeccanica is an Italian industrial group which is amongst the main players of both the Environmental and Mechanical sectors. The group, national leader in the manufacturing of large industrial pumps and in environmental turn-key plant projects, designs, develops and manages cutting edge technological solutions.

Termomeccanica carries out its various business activities in Italy and abroad through its operational companies, each specialized in one of the group's key market:

***TM.P. SpA Termomeccanica Pompe** designs, manufactures and commercializes engineered centrifugal pumps for the fields of Power Generation, Desalination, Water Transmission, Oil & Gas and Heavy Industry.*

***TM.I.C. Srl Termomeccanica Industrial Compressors** is the Italian leader in developing, manufacturing and commercializing oil injected screw compressors for air and gas applications.*

***TM.E. SpA Termomeccanica Ecologia** is a turn-key EPC contractor for Environmental & Industrial plants for the Production of Energy (Waste to Energy and Renewable Energy) and Technological Water Treatments (potabilization, desalination and waste water purification for civil and industrial uses).*

Oil injected scREW compressor Sizes 2,2 to 900 kW

SCA-ITA

Range of products	pag. 4
SCA-ITA Series - Product features	pag. 5-6
■ SCA7L Outside view drawing/Data Tables	pag. 7
■ SCA8D-A Outside view drawing/Data Tables	pag. 8
■ SCA8D-R Outside view drawing/Data Tables	pag. 9
■ SCA8G-A Outside view drawing/Data Tables	pag. 10
■ SCA8G-R Outside view drawing/Data Tables	pag. 11
■ SCA9D-R Outside view drawing/Data Tables	pag. 12
■ SCA9G-R Outside view drawing/Data Tables	pag. 13
■ SCA10D-R Outside view drawing/Data Tables	pag. 14
■ SCA10G-R Outside view drawing/Data Tables	pag. 15
■ SCA13D-R Outside view drawing/Data Tables	pag. 16
■ SCA13G-R Outside view drawing/Data Tables	pag. 17
■ SCA14D-R Outside view drawing/Data Tables	pag. 18
■ SCA14G-R Outside view drawing/Data Tables	pag. 19
■ SCA20D-RM Outside view drawing/Data Tables	pag. 20
■ SCA20G-RM Outside view drawing/Data Tables	pag. 21
■ SCA30D-R Outside view drawing/Data Tables	pag. 22
■ SCA30G-R Outside view drawing/Data Tables	pag. 23
■ SCA30TWIN Outside view drawing/Data Tables	pag. 24
■ ITA18D-R Outside view drawing/Data Tables	pag. 26
■ ITA18G-R Outside view drawing/Data Tables	pag. 27
■ ITA23D-R Outside view drawing/Data Tables	pag. 28
■ ITA23G-R Outside view drawing/Data Tables	pag. 29

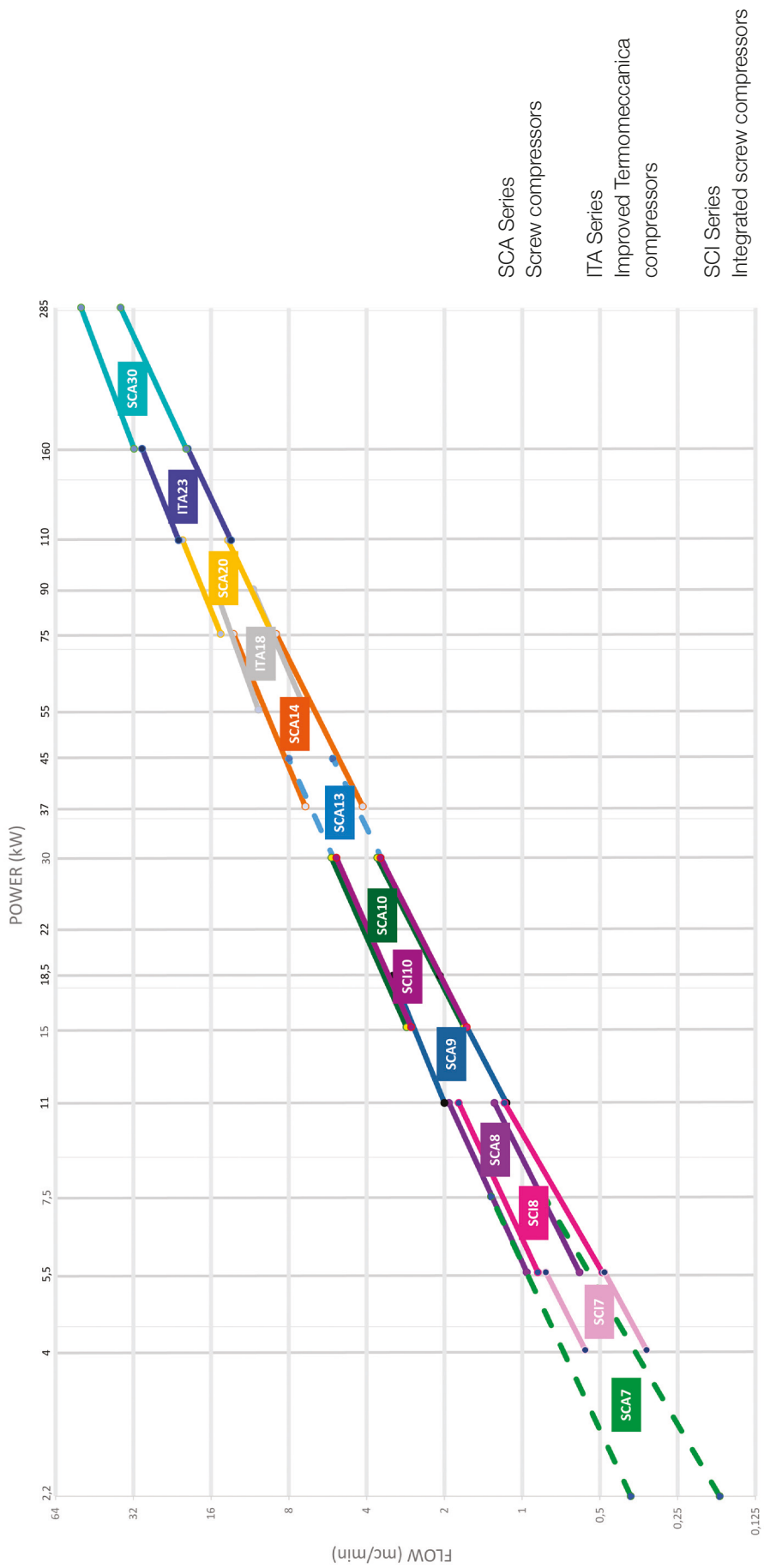
SCI

SCI Series - Product features	pag. 30-31
■ SCI7D Outside view drawing/Data Tables	pag. 33
■ SCI8D Outside view drawing/Data Tables	pag. 34
■ SCI8G Outside view drawing/Data Tables	pag. 35
■ SCI10D Outside view drawing/Data Tables	pag. 36
■ SCI10G Outside view drawing/Data Tables	pag. 37

SLC

SLC Series - Product features	pag. 39
■ SLC1 Outside view drawing/Data Tables	pag. 40
■ SLC2 Outside view drawing/Data Tables	pag. 41

TMIC
The Italian leader production of screw
compressors for air, gas and special applications



SCA oil injected
screw compressor

ITA Improved Termomeccanica
compressor

Shaft seal

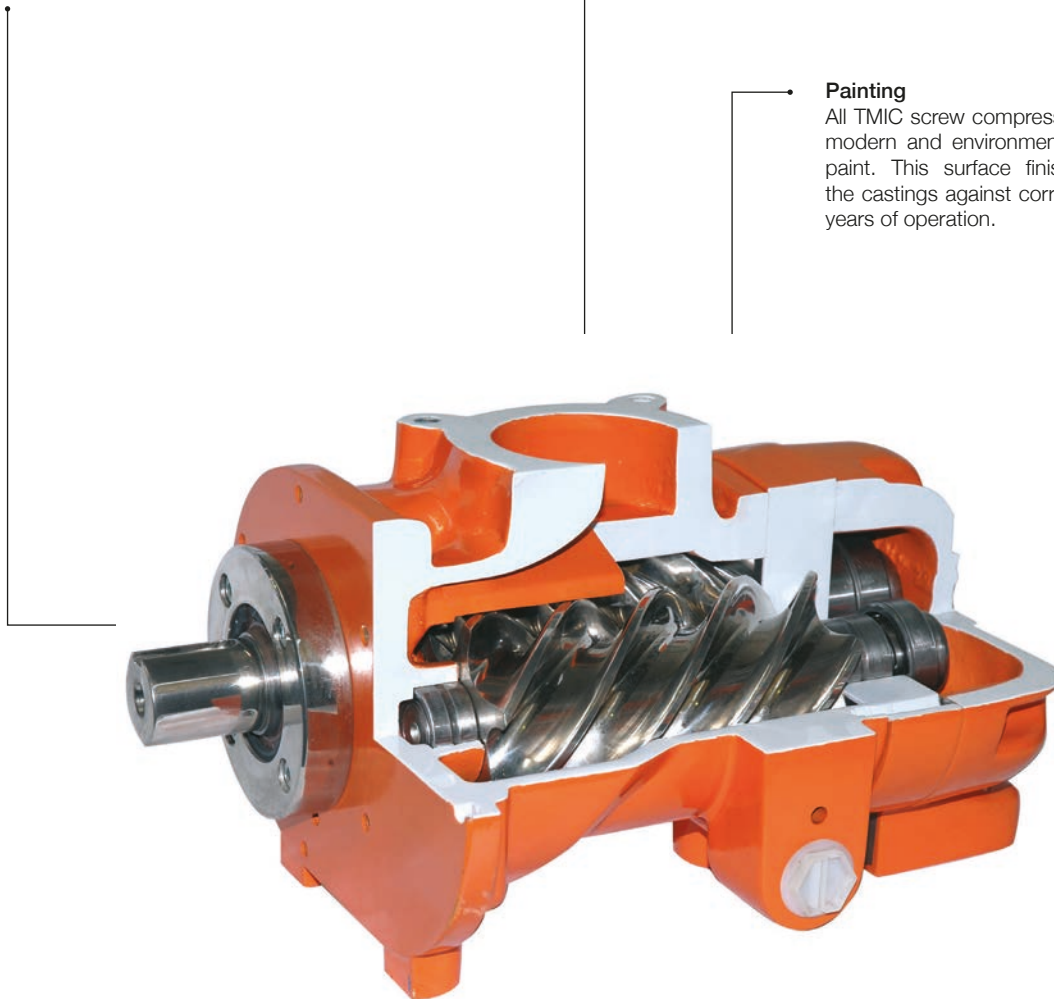
A new configuration of the seal ring, including a two-lip seal, a dust lip in PTFE and a dust ring, assures great reliability, long life and resistance to impurities.

Casing

All casing machining work is performed with modern computer numerical control machines, which allow continuous control and testing, thus guaranteeing our casings quality.

Painting

All TMIC screw compressors are painted with a modern and environmentally-friendly protective paint. This surface finish effectively protects the castings against corrosion, even after many years of operation.



Rotors

The heart of every screw compressor is its air end, this is why TMIC pays particular care to its manufacturing process. The company uses the latest-generation CNC machines and top-grade materials so as to guarantee the best tolerances and highest reliability. Special attention is also given to the final grinding process. A multistep computer-aided rotor control system also contributes to giving 100% accuracy to each TMIC rotor profile.

Bearing

Given the rotational speeds and bearing loads they work at, TMIC compressors are equipped with top quality bearings that ensure the high-capacity and long-life requested.

SCA-ITA Series

Product features

Main features

High volumetric efficiency

Low running cost

Low air discharge temperature

Low noise level

SCA standard discharge pressure range – from 3 to 15 barg (43.5 to 220 psig); higher pressure upon request

ITA discharge pressure range – from 3 to 15 barg (43.5 to 220 psig)

PTFE double lip seal

Assembly system

The assembly systems for the SCA series are:

- base plate mounted
- flange mounted

Sizes

SCA7

SCA7L

SCA8

SCA8D-A - SCA8D-R - SCA8G-A - SCA8G-R

SCA9

SCA9D-R - SCA9G-R

SCA10

SCA10D-R - SCA10G-R

SCA13

SCA13D-R - SCA13G-R

SCA14

SCA14D-R - SCA14G-R

SCA20

SCA20D-RM - SCA20G-RM

SCA30

SCA30D-R - SCA30G-R - SCA30TWIN

ITA18

ITA18D-R - ITA18G-R

ITA23

ITA23D-R - ITA23G-R

A axial outlet

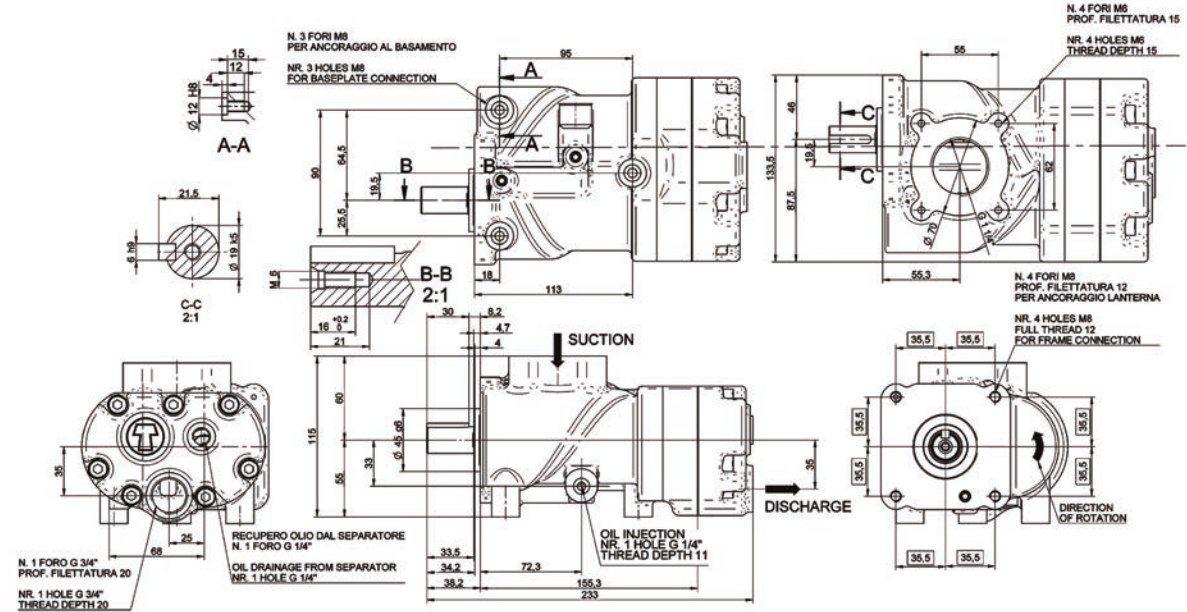
B radial outlet

D direct or belt driven coupling

G gear box

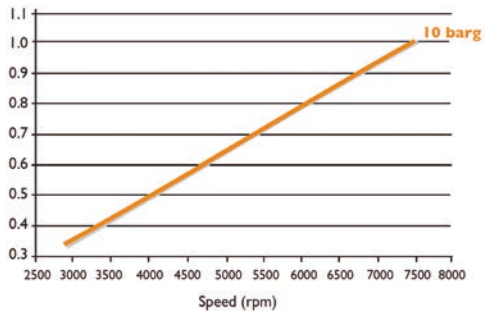
SCA7L

Outside view drawing

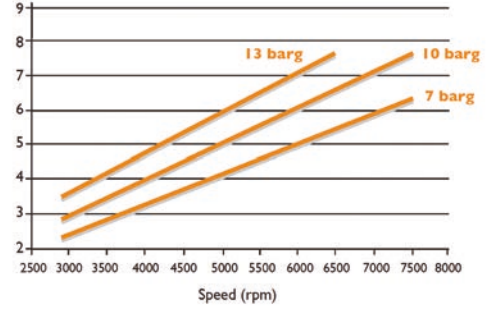


Data Tables

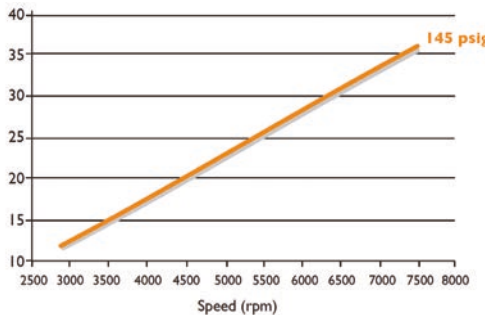
Air Capacity (m³/min)



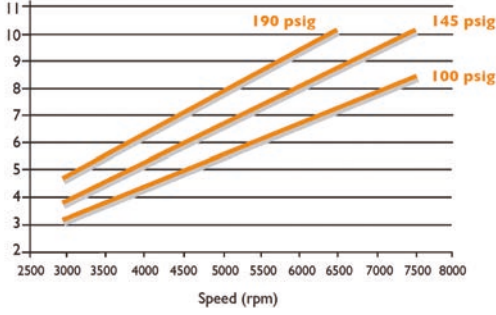
Power (kW)



Air Capacity (cfm)



Power (HP)



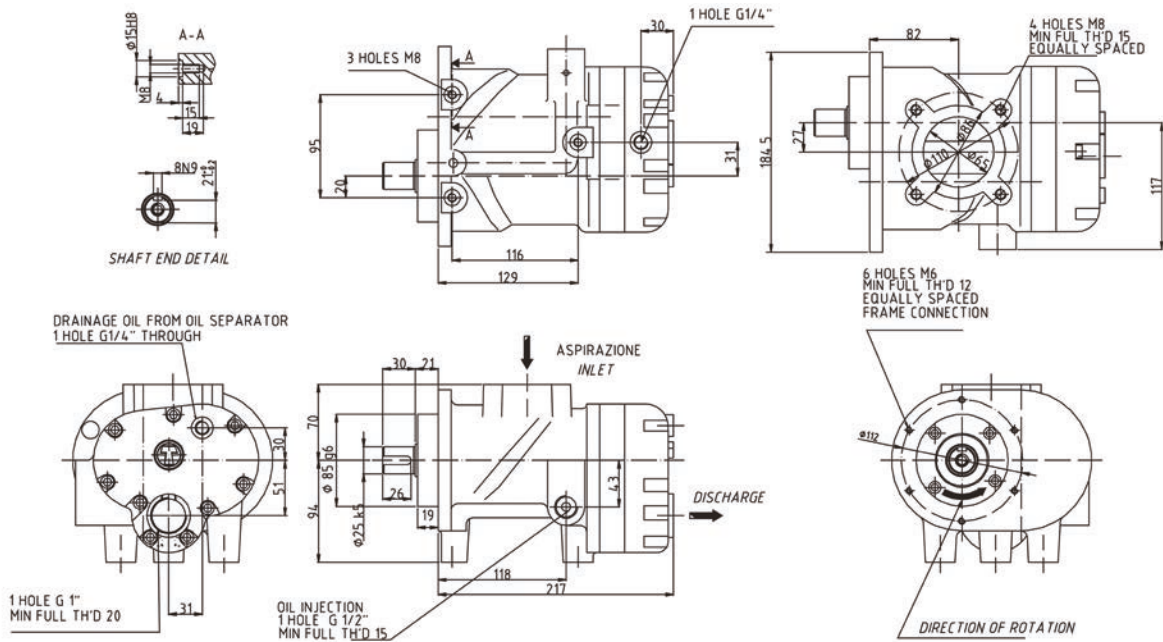
Drive: Male
Lobe combination: 5/6
Male rotor size: 59.7 mm

Female rotor size: 49.7 mm
L/D: 1.70

Working pressure: min 3 barg/40 psig - max 13 barg/190 psig
Weight: 10 Kg - 22 lbs

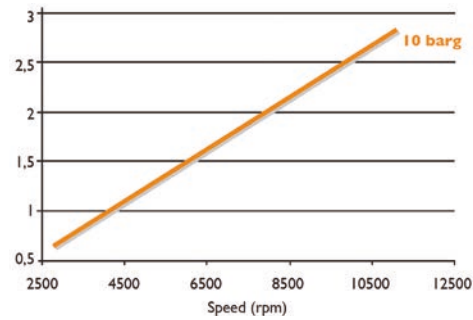
SCA8D-A

Outside view drawing

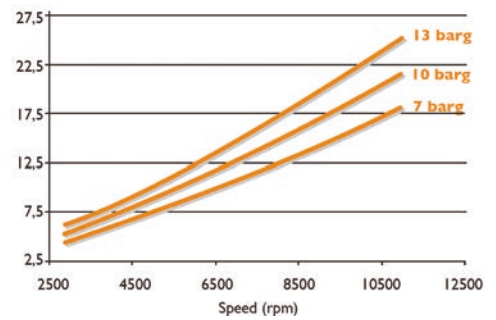


Data Tables

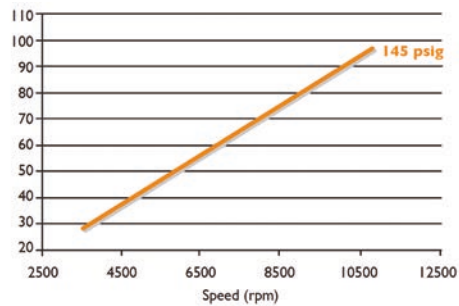
Air Capacity (m³/min)



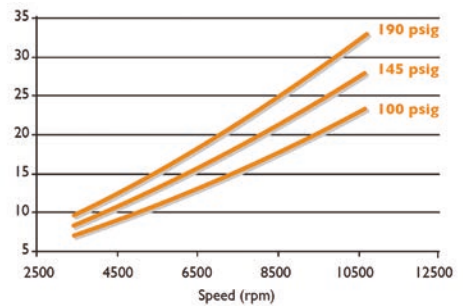
Power (kW)



Air Capacity (cfm)



Power (HP)



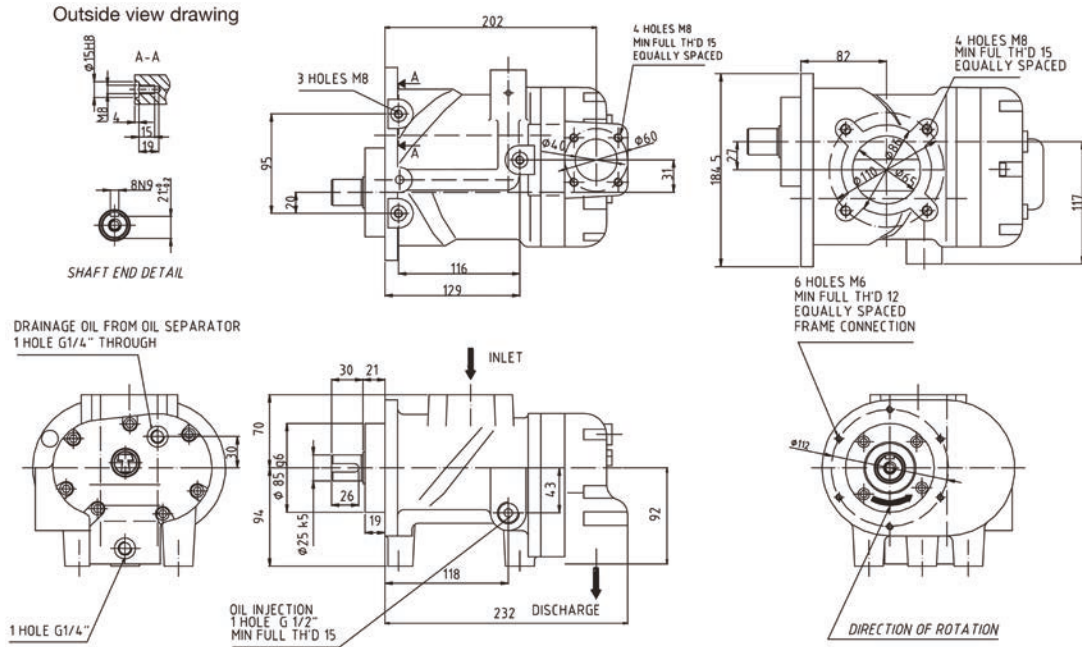
Drive: Male
Lobe combination: 5/6
Male rotor size: 74 mm

Female rotor size: 61.6 mm
L/D: 1.65

Working pressure: min 3 barg/40 psig - max 15 barg/220 psig
Weight: 18 Kg - 40 lbs

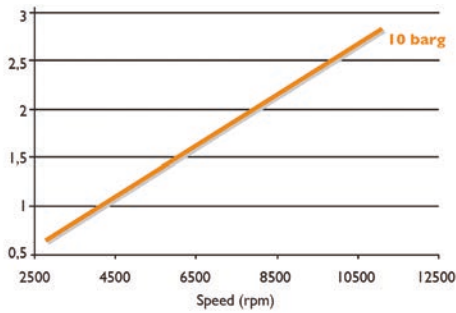
SCA8D-R

Outside view drawing

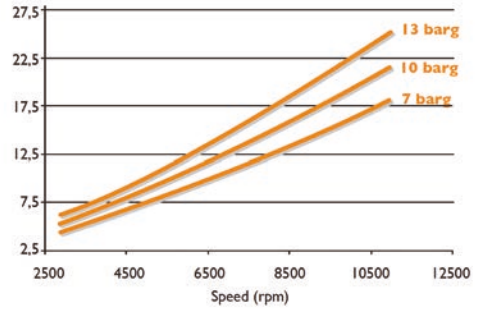


Data Tables

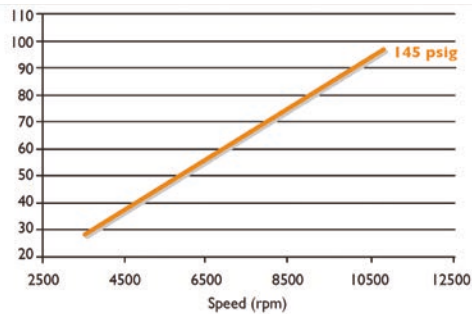
Air Capacity (m³/min)



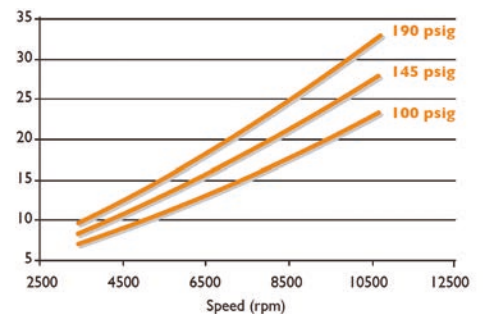
Power (kW)



Air Capacity (cfm)



Power (HP)



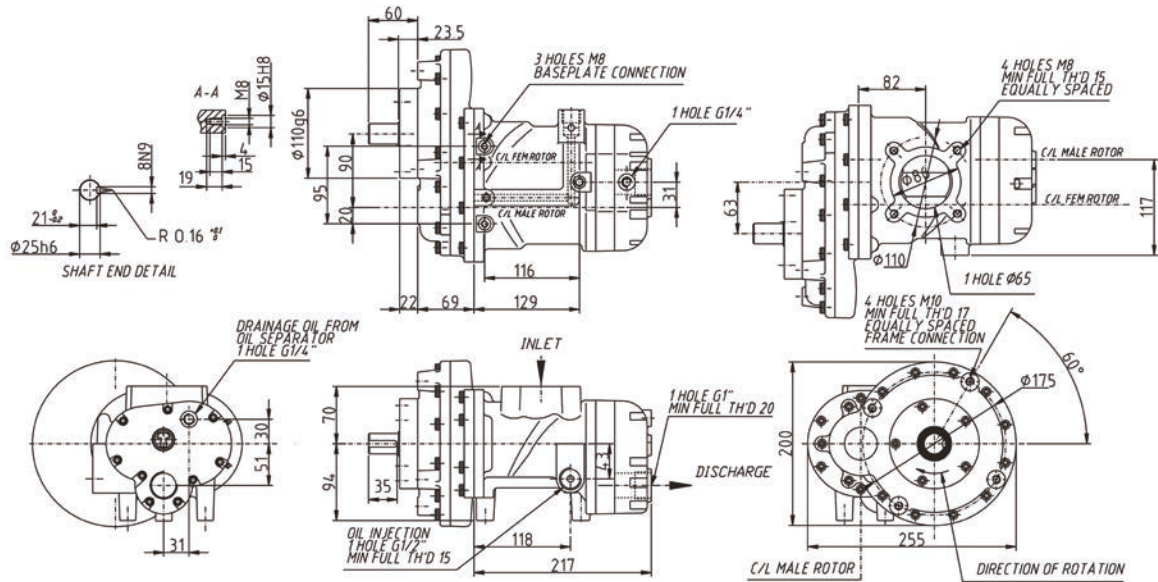
Drive: Male
Lobe combination: 5/6
Male rotor size: 74 mm

Female rotor size: 61.6 mm
L/D: 1.65

Working pressure: min 3 barg/40 psig - max 15 barg/220 psig
Weight: 20 Kg - 44 lbs

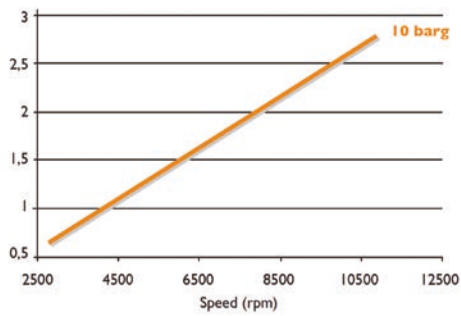
SCA8G-A

Outside view drawing

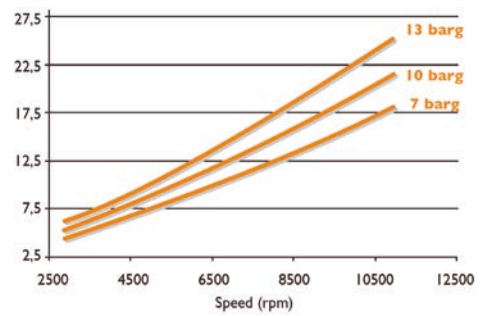


Data Tables

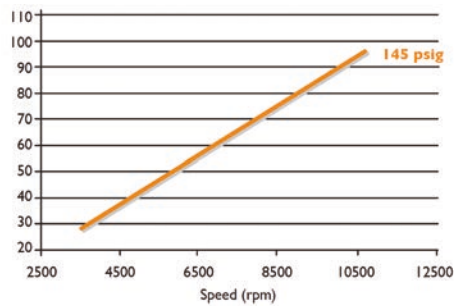
Air Capacity (m³/min)



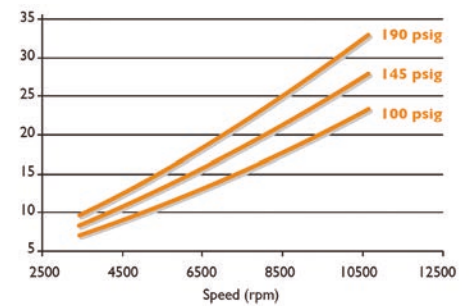
Power (kW)



Air Capacity (cfm)



Power (HP)



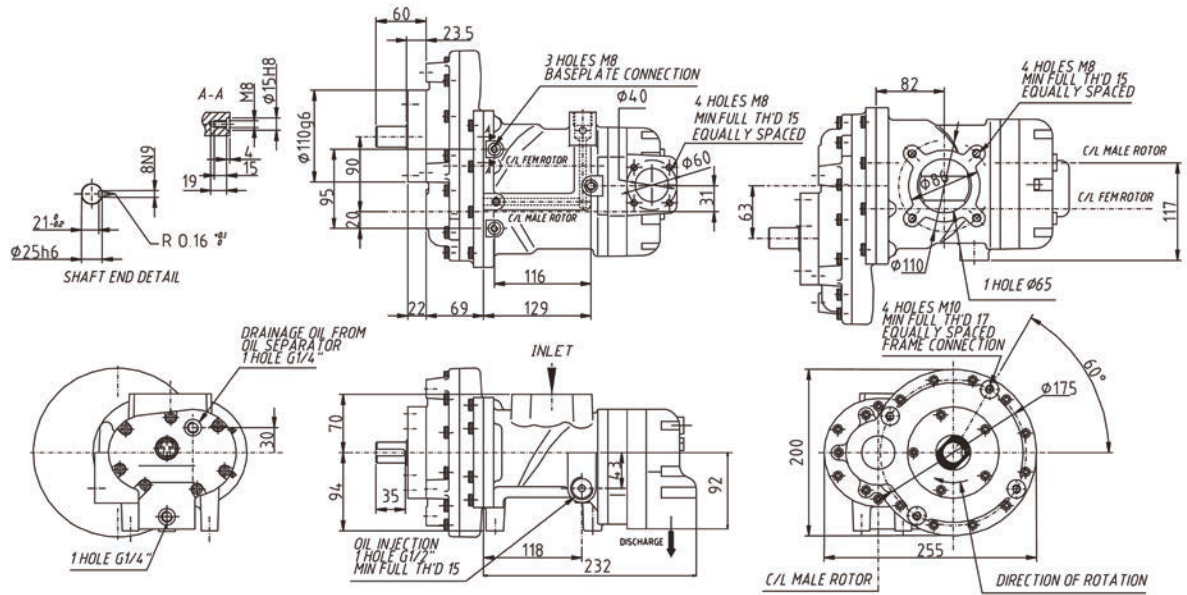
Drive: Male
Lobe combination: 5/6
Male rotor size: 74 mm

Female rotor size: 61.6 mm
L/D: 1.65

Working pressure: min 3 barg/40 psig - max 15 barg/220 psig
Weight: 30 Kg - 66 lbs

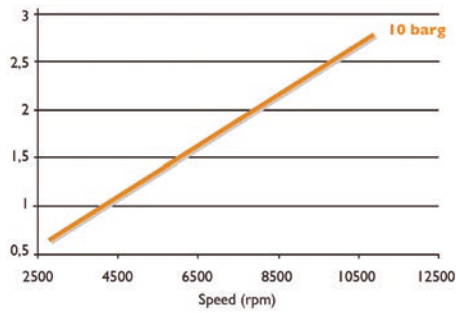
SCA8G-R

Outside view drawing

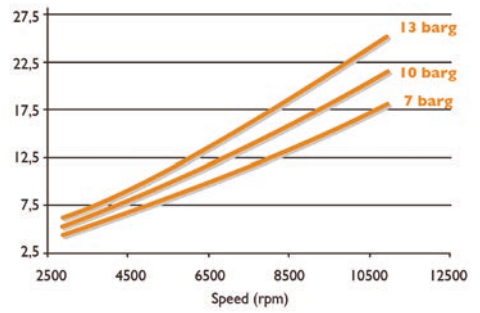


Data Tables

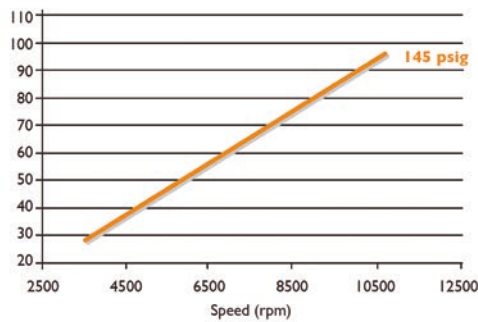
Air Capacity (m³/min)



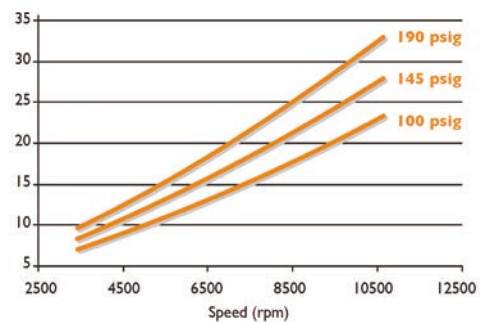
Power (kW)



Air Capacity (cfm)



Power (HP)



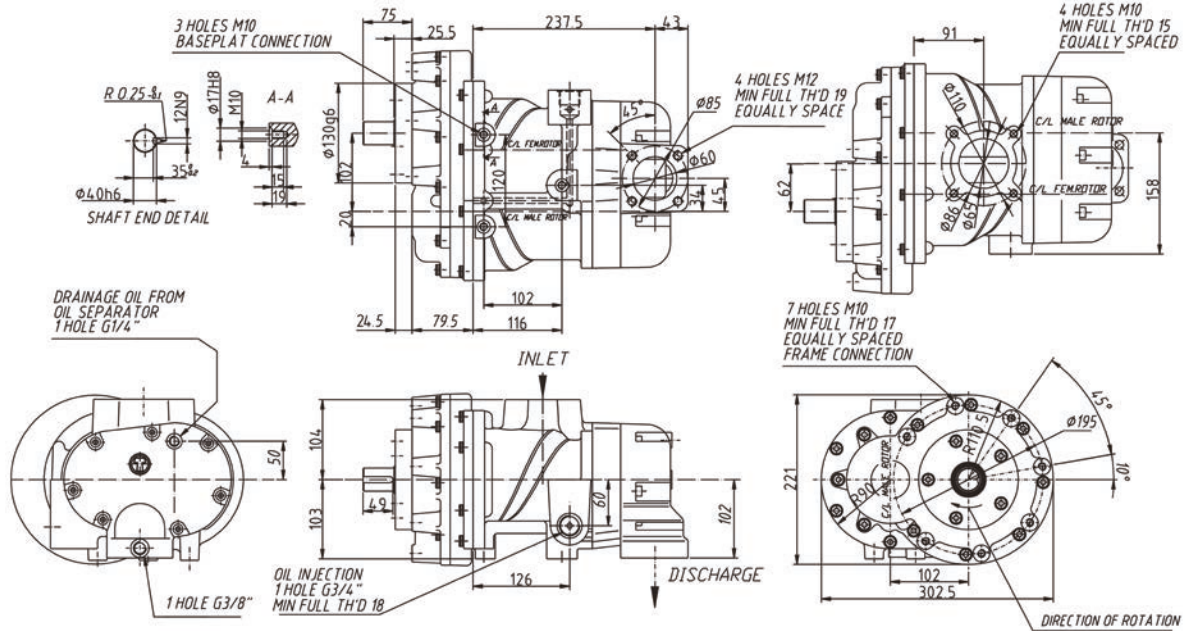
Drive: Male
Lobe combination: 5/6
Male rotor size: 74 mm

Female rotor size: 61.6 mm
L/D: 1.65

Working pressure: min 3 barg/40 psig - max 15 barg/220 psig
Weight: 32 Kg - 71 lbs

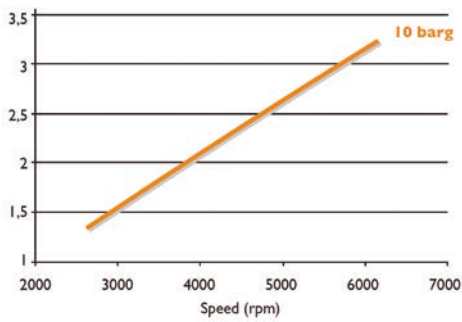
SCA9D-R

Outside view drawing

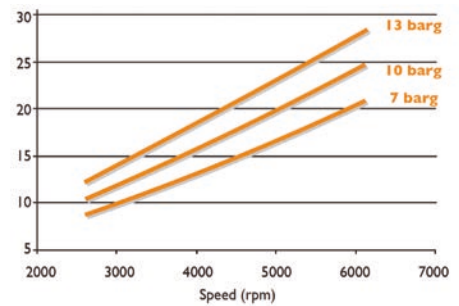


Data Tables

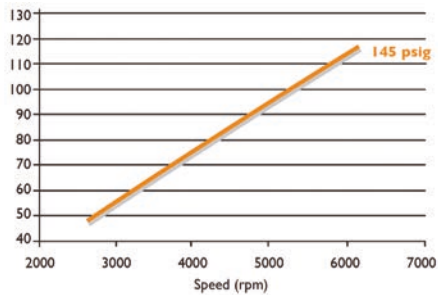
Air Capacity (m³/min)



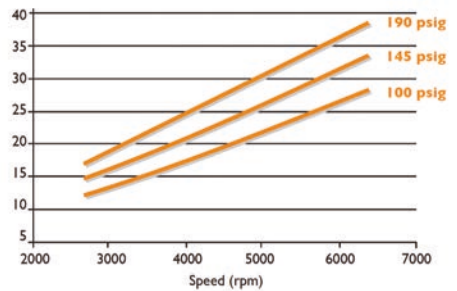
Power (kW)



Air Capacity (cfm)



Power (HP)



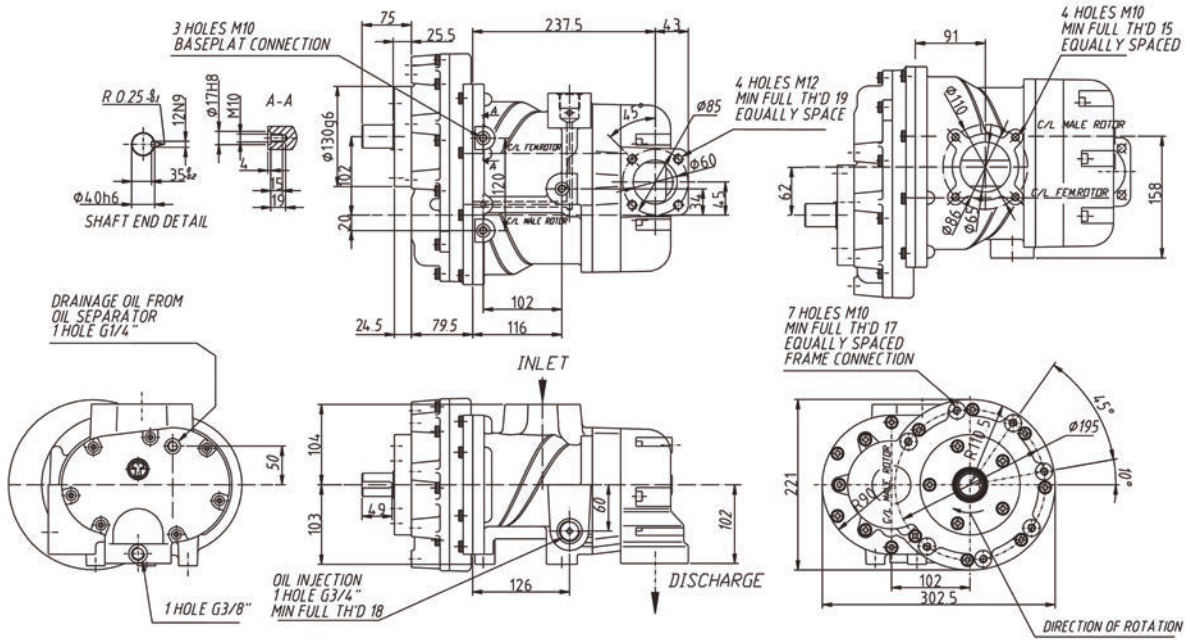
Drive: Male
Lobe combination: 5/6
Male rotor size: 108.6 mm

Female rotor size: 90.4 mm
L/D: 1.09

Working pressure: min 3 barg/40 psig - max 15 barg/220 psig
Weight: 40 Kg - 88 lbs

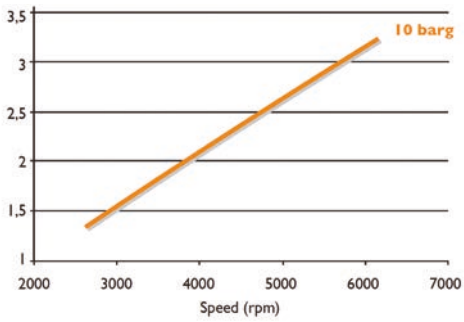
SCA9G-R

Outside view drawing

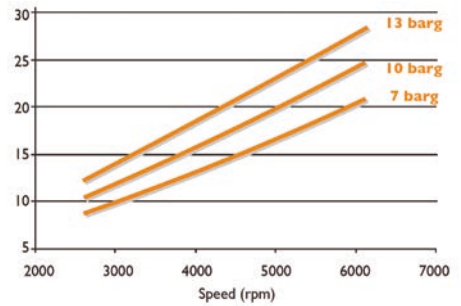


Data Tables

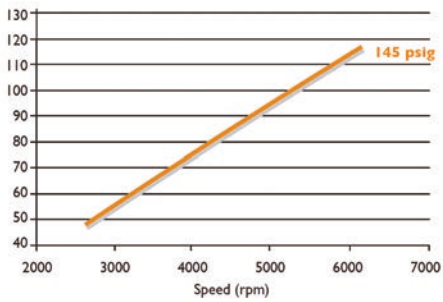
Air Capacity (m³/min)



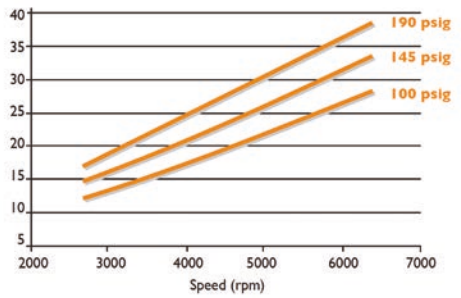
Power (kW)



Air Capacity (cfm)



Power (HP)



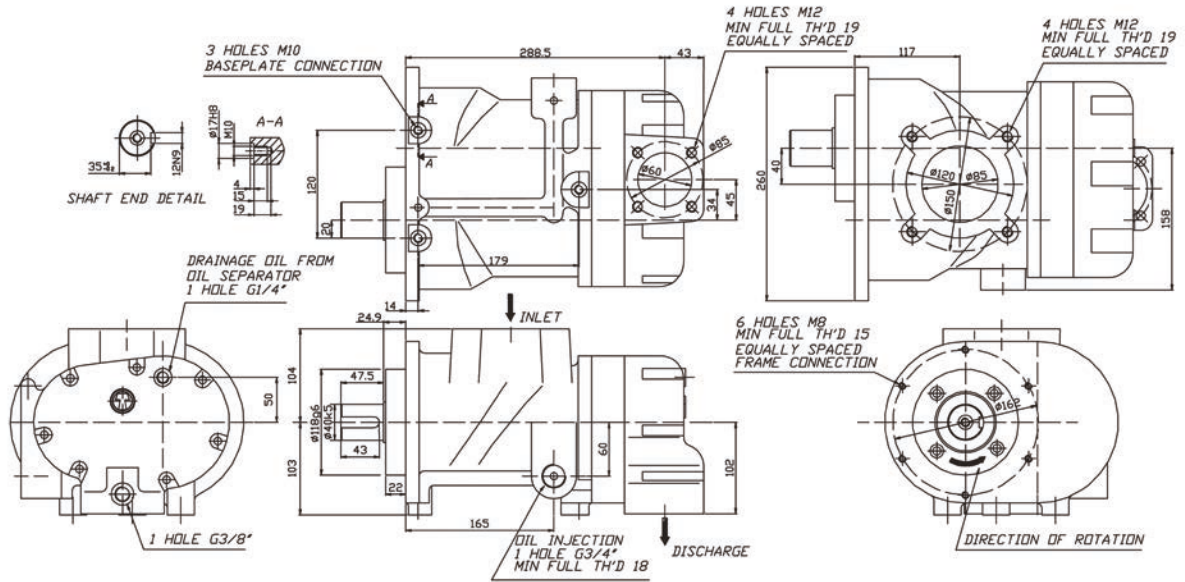
Drive: Male
Lobe combination: 5/6
Male rotor size: 108.6 mm

Female rotor size: 61.6 mm
L/D: 1.09

Working pressure: min 3 barg/40 psig - max 15 barg/220 psig
Weight: 61 Kg - 134 lbs

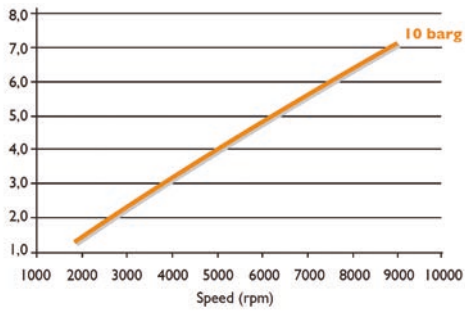
SCA10D-R

Outside view drawing

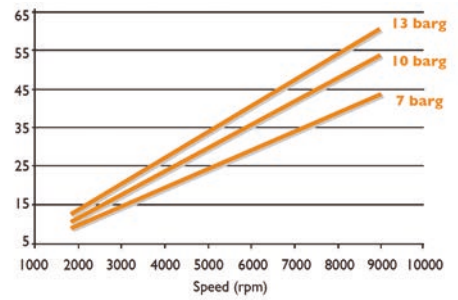


Data Tables

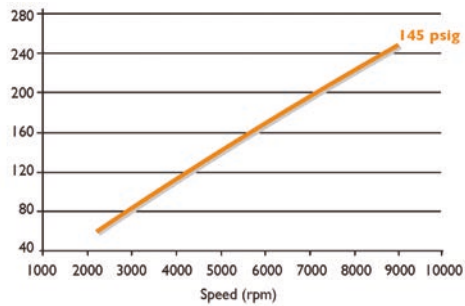
Air Capacity (m³/min)



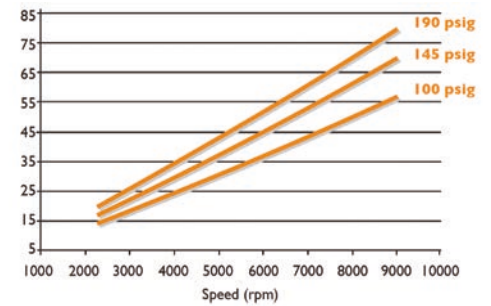
Power (kW)



Air Capacity (cfm)



Power (HP)



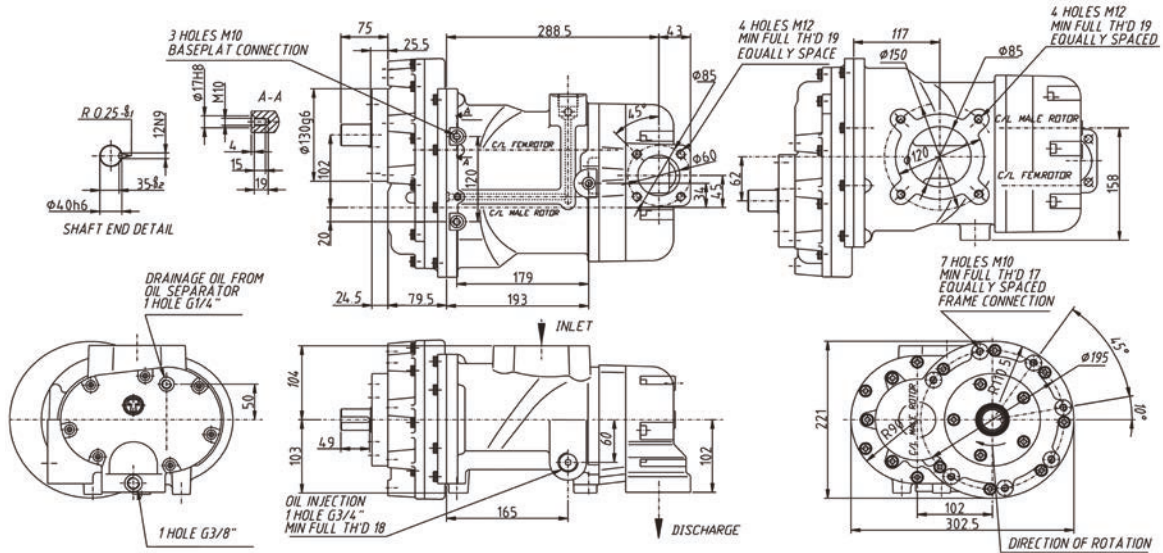
Drive: Male
Lobe combination: 5/6
Male rotor size: 108.6 mm

Female rotor size: 90.4 mm
L/D: 1.56

Working pressure: min 3 barg/40 psig - max 15 barg/220 psig
Weight: 45 Kg - 99 lbs

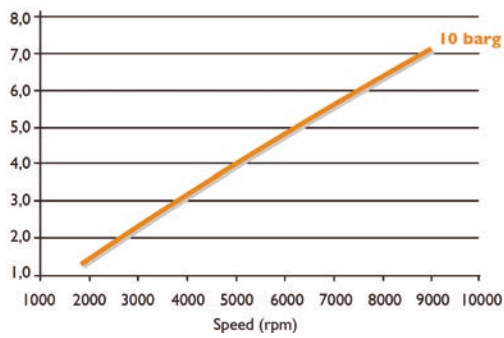
SCA10G-R

Outside view drawing

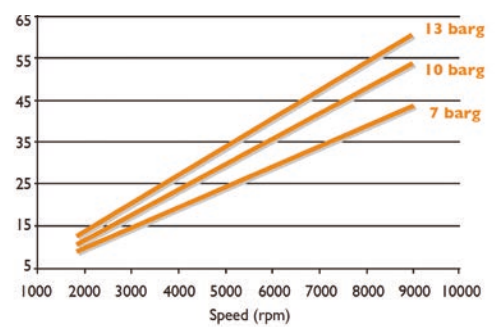


Data Tables

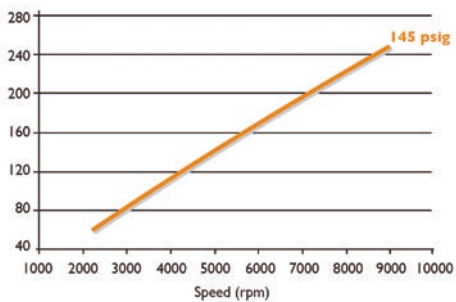
Air Capacity (m³/min)



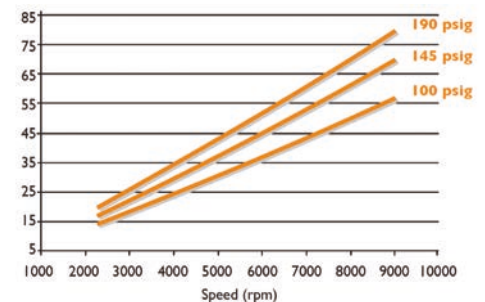
Power (kW)



Air Capacity (cfm)



Power (HP)



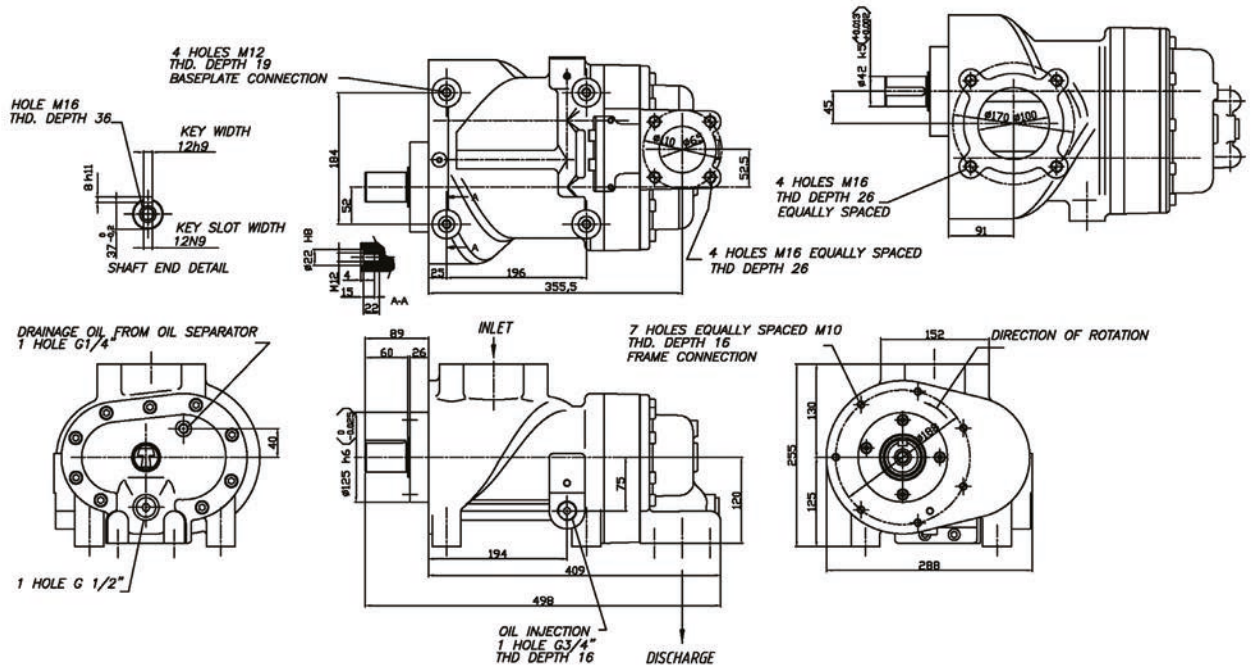
Drive: Male
 Lobe combination: 5/6
 Male rotor size: 108.6 mm

Female rotor size: 90.4 mm
 L/D: 1.56

Working pressure: min 3 barg/40 psig - max 15 barg/220 psig
 Weight: 66 Kg - 146 lbs

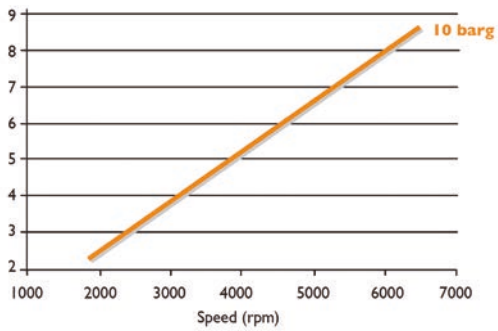
SCA13D-R

Outside view drawing

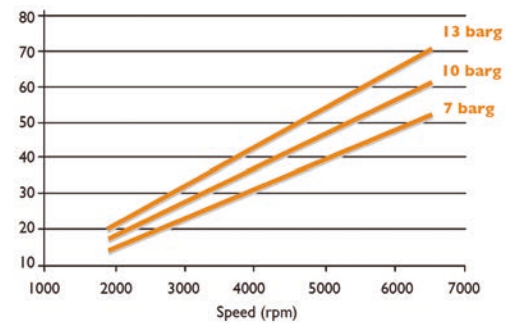


Data Tables

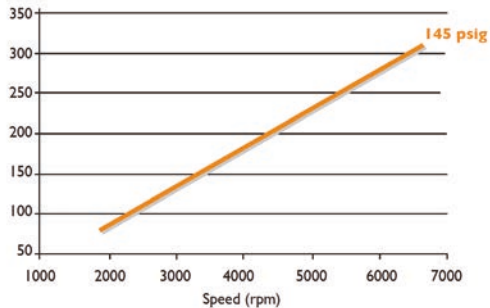
Air Capacity (m³/min)



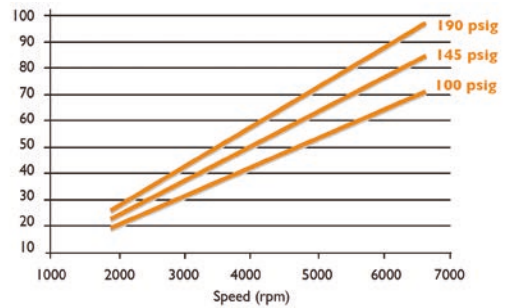
Power (kW)



Air Capacity (cfm)



Power (HP)



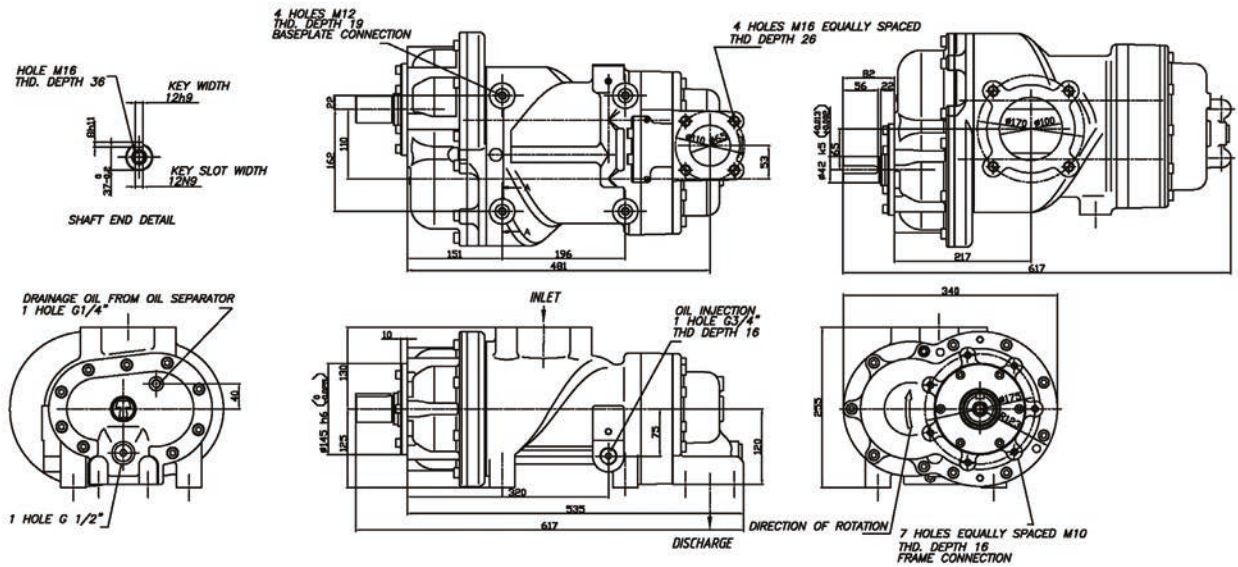
Drive: Male
 Lobe combination: 5/6
 Male rotor size: 126 mm

Female rotor size: 105 mm
 L/D: 1.70

Working pressure: min 3 barg/40 psig - max 15 barg/220 psig
 Weight: 74 Kg - 163 lbs

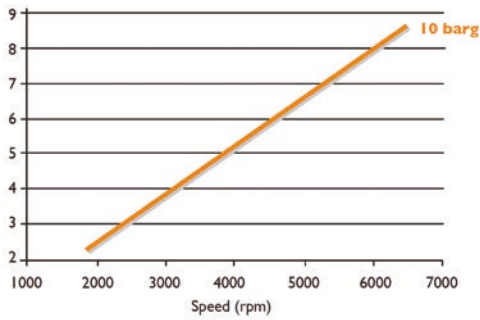
SCA13G-R

Outside view drawing

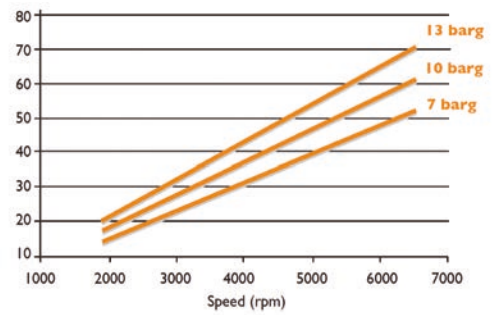


Data Tables

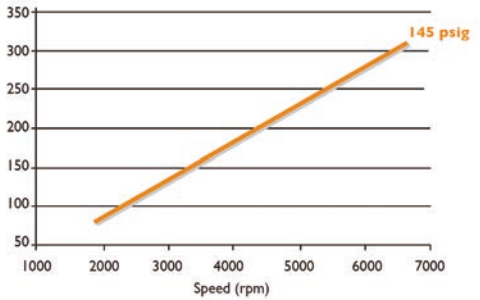
Air Capacity (m³/min)



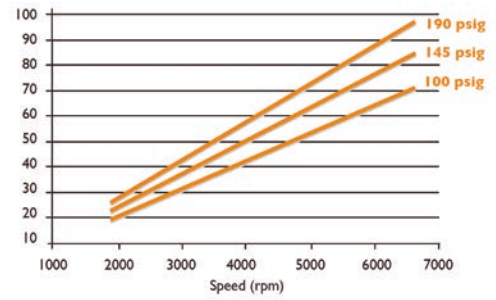
Power (kW)



Air Capacity (cfm)



Power (HP)



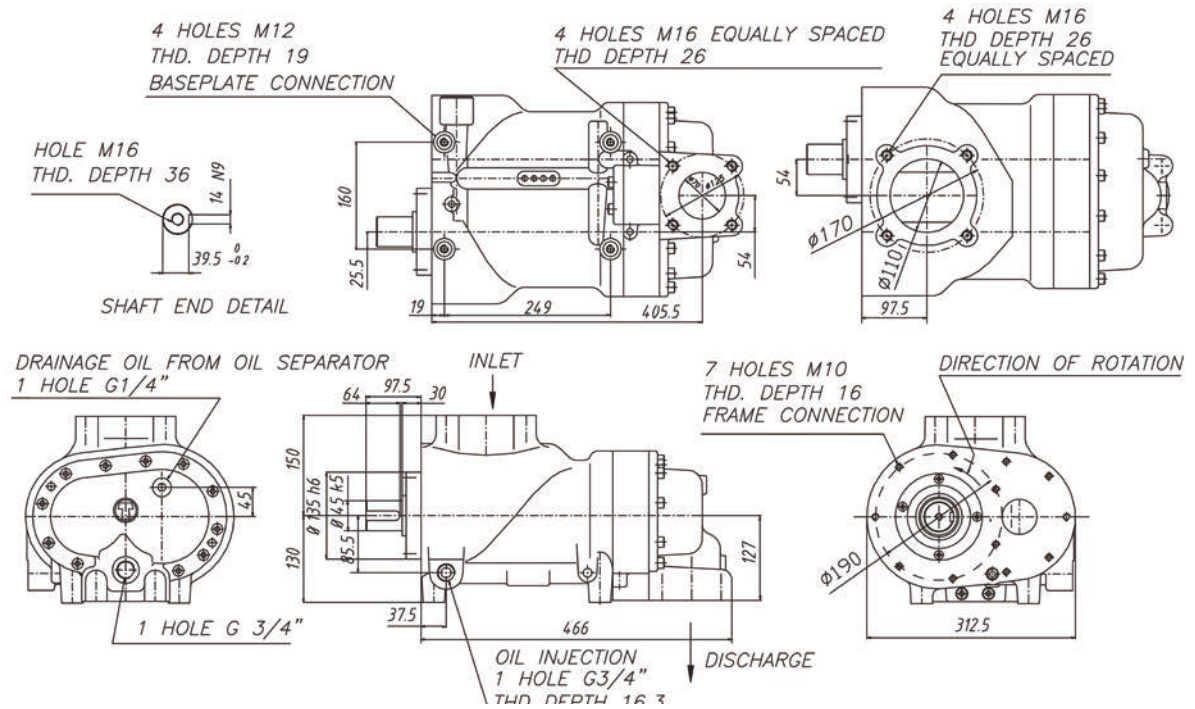
Drive: Male
Lobe combination: 5/6
Male rotor size: 126 mm

Female rotor size: 105 mm
L/D: 1.70

Working pressure: min 3 barg/40 psig - max 15 barg/220 psig
Weight: 99 Kg - 218 lbs

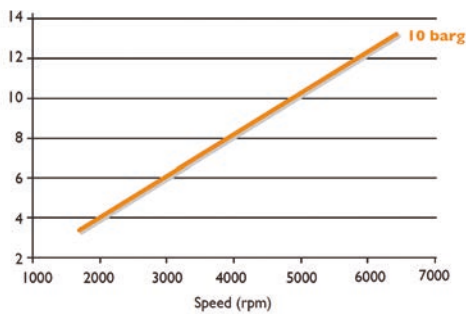
SCA14D-R

Outside view drawing

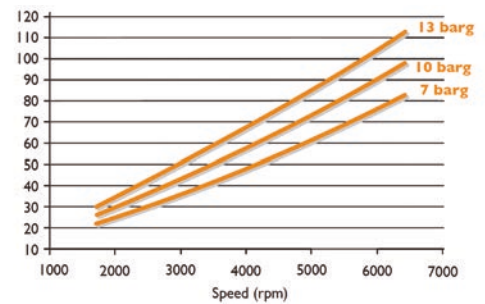


Data Tables

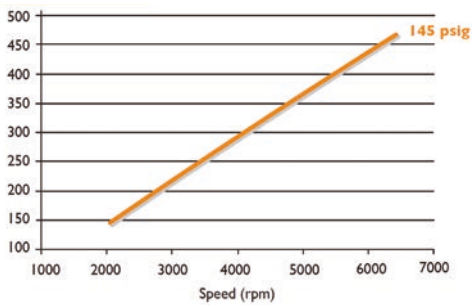
Air Capacity (m³/min)



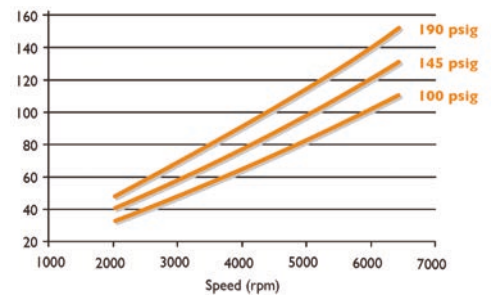
Power (kW)



Air Capacity (cfm)



Power (HP)



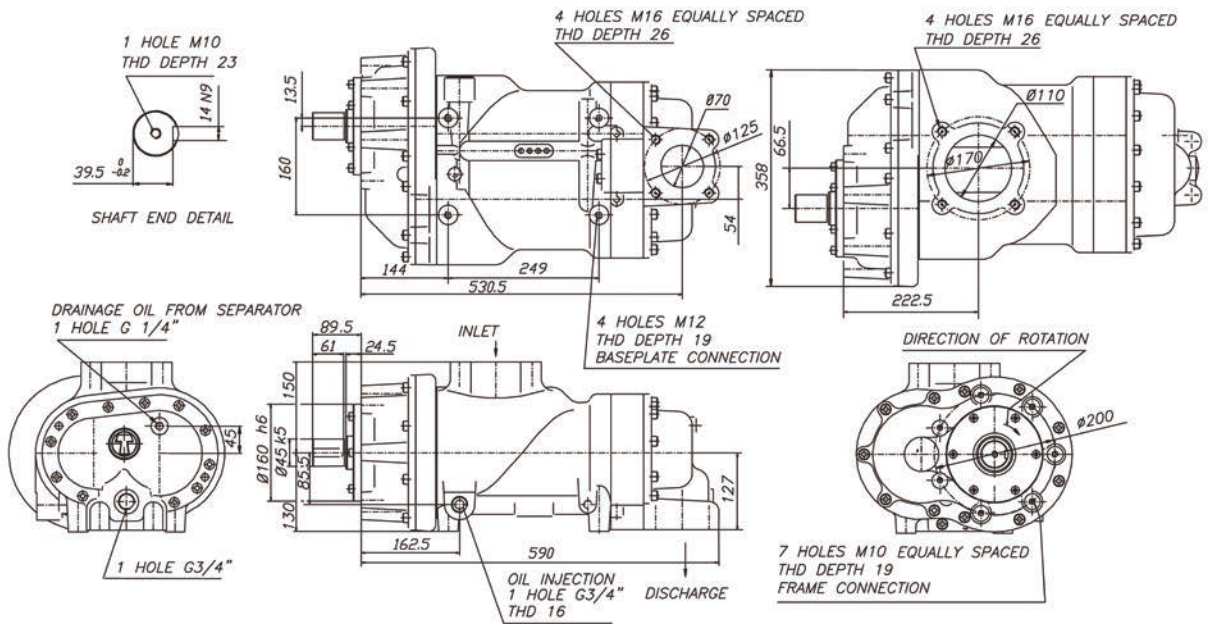
Drive: Male
Lobe combination: 5/6
Male rotor size: 147.3 mm

Female rotor size: 122.6 mm
L/D: 1.70

Working pressure: min 3 barg/40 psig - max 15 barg/220 psig
Weight: 108 Kg - 238 lbs

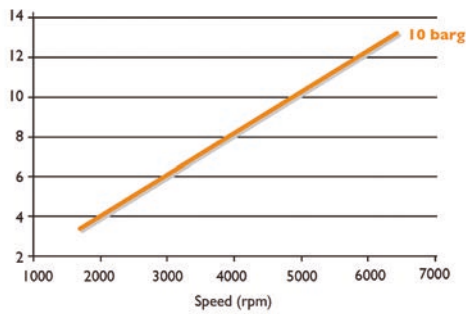
SCA14G-R

Outside view drawing

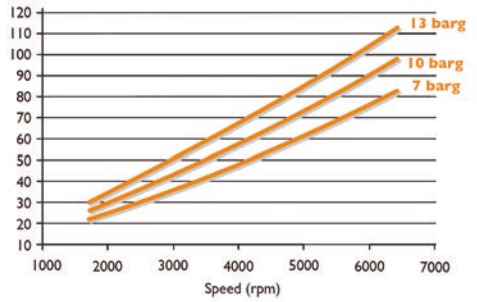


Data Tables

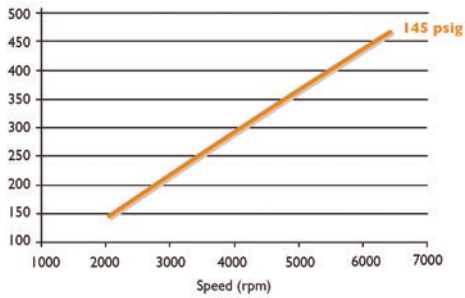
Air Capacity (m³/min)



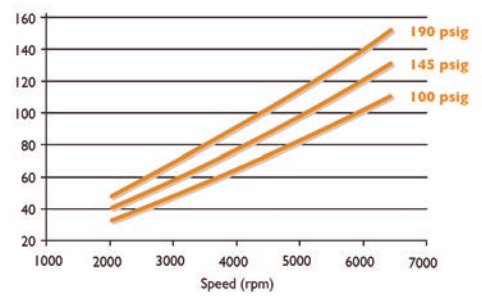
Power (kW)



Air Capacity (cfm)



Power (HP)



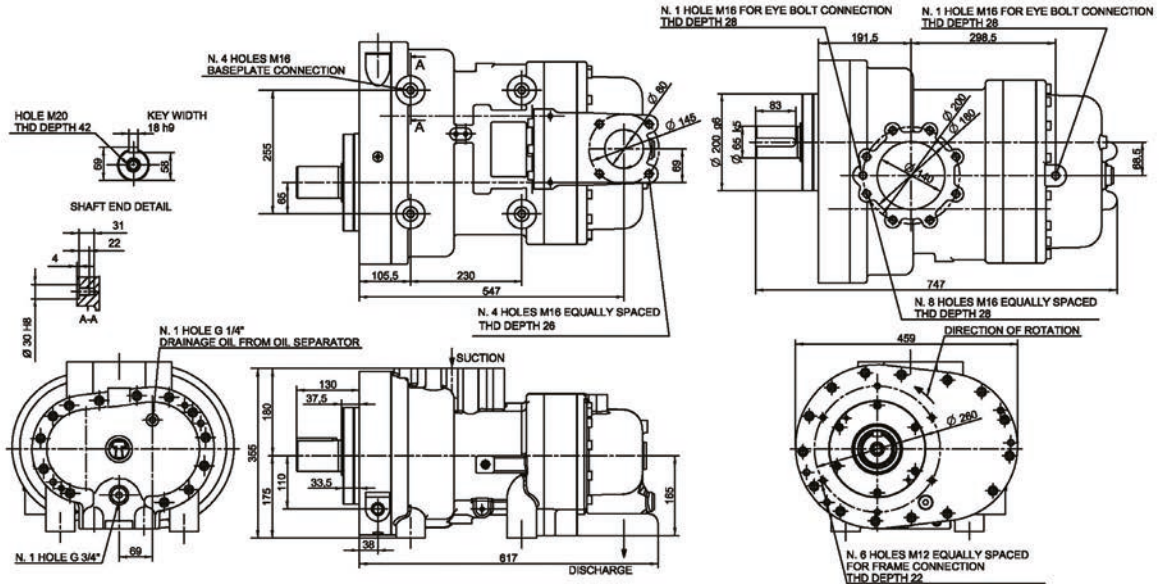
Drive: Male
Lobe combination: 5/6
Male rotor size: 147.3 mm

Female rotor size: 122.6 mm
L/D: 1.70

Working pressure: min 3 barg/40 psig - max 15 barg/220 psig
Weight: 140 Kg - 309 lbs

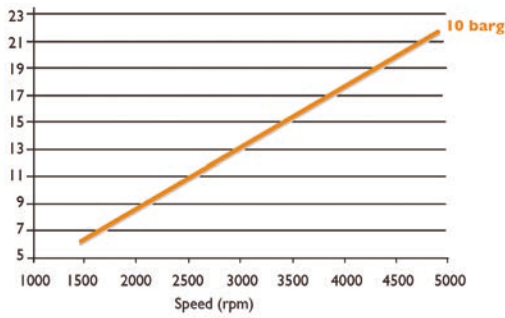
SCA20D-RM

Outside view drawing

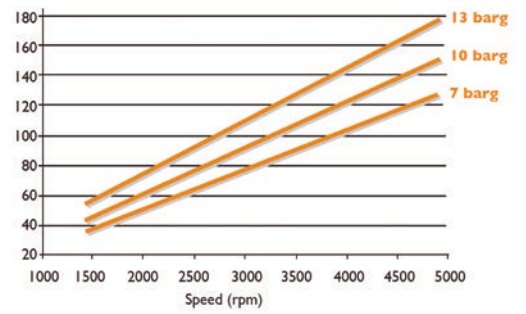


Data Tables

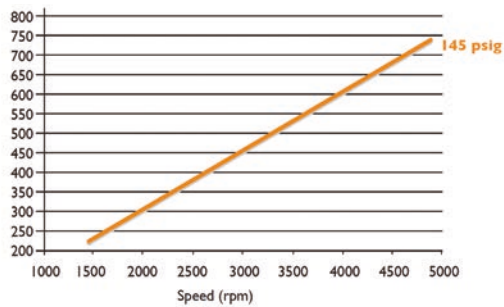
Air Capacity (m³/min)



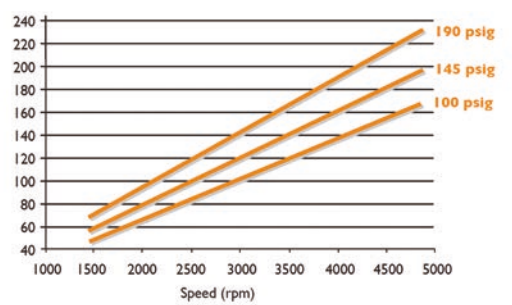
Power (kW)



Air Capacity (cfm)



Power (HP)



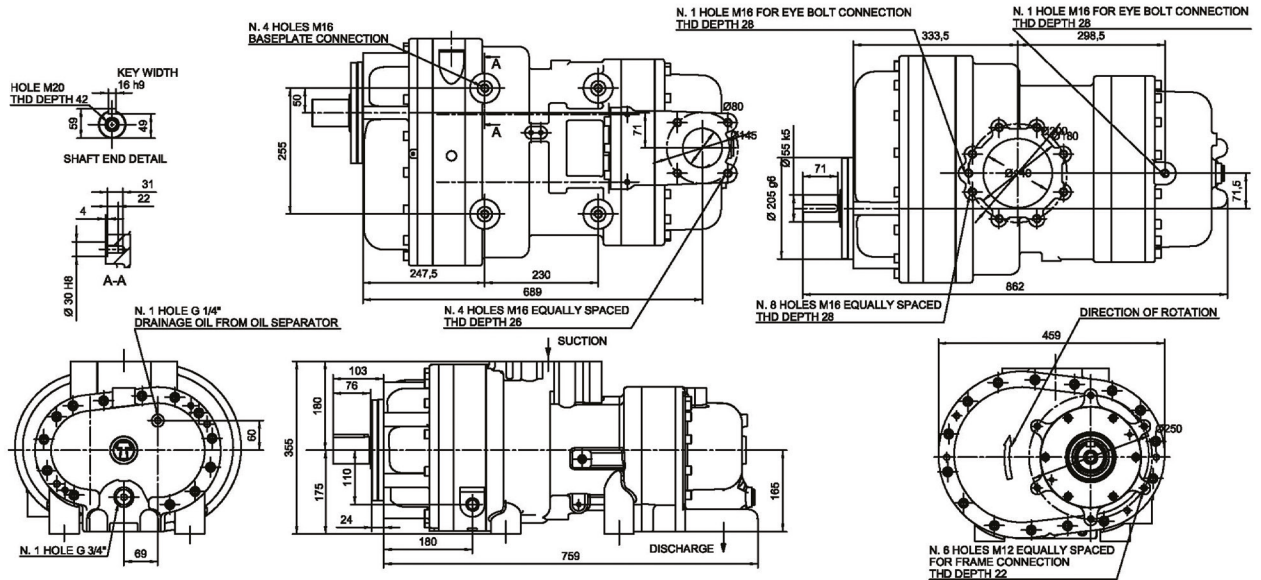
Drive: Male
Lobe combination: 5/6
Male rotor size: 190 mm

Female rotor size: 154.8 mm
L/D: 1.70

Working pressure: min 3 barg/40 psig - max 15 barg/220 psig
Weight: 263 Kg - 580 lbs

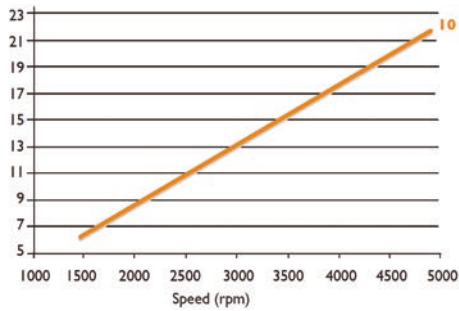
SCA20G-RM

Outside view drawing

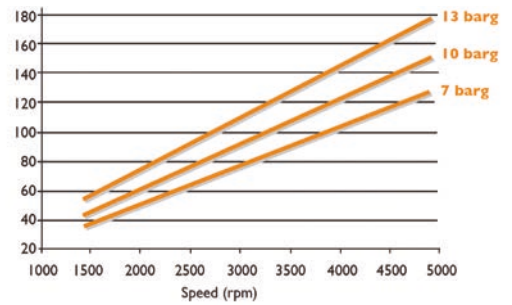


Data Tables

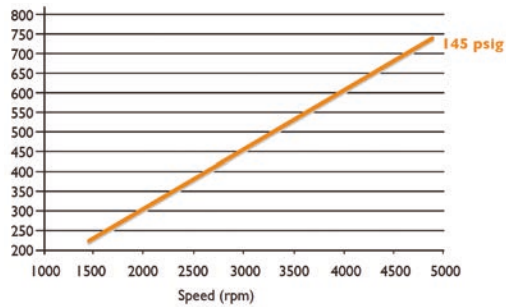
Air Capacity (m³/min)



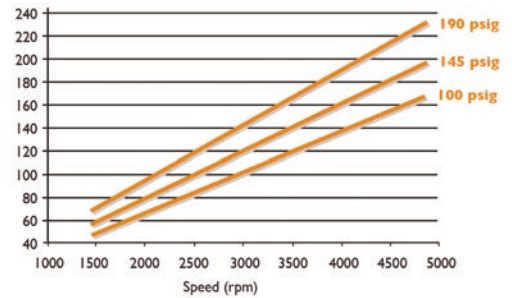
Power (kW)



Air Capacity (cfm)



Power (HP)



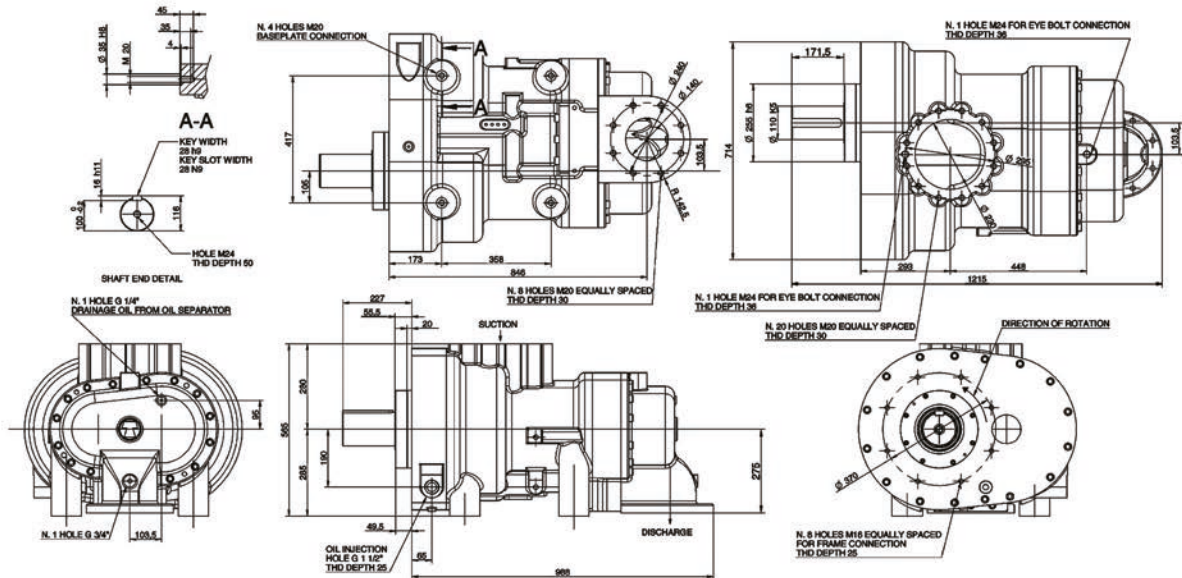
Drive: Male
 Lobe combination: 5/6
 Male rotor size: 190 mm

Female rotor size: 154.8 mm
 L/D: 1.70

Working pressure: min 3 barg/40 psig - max 15 barg/220 psig
 Weight: 320 Kg - 705 lbs

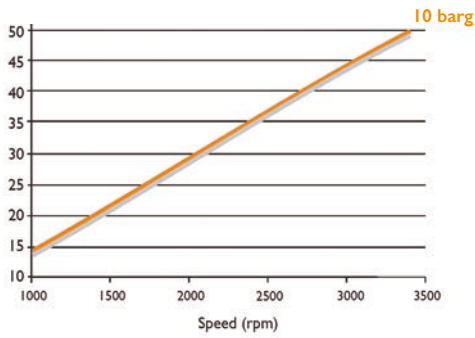
SCA30D-R

Outside view drawing

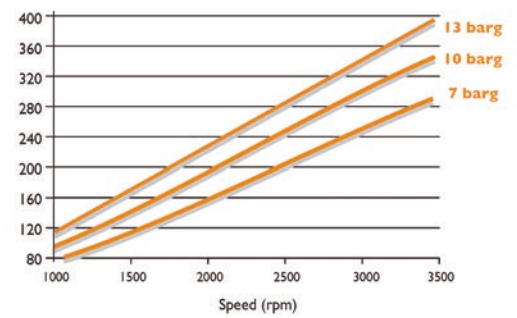


Data Tables

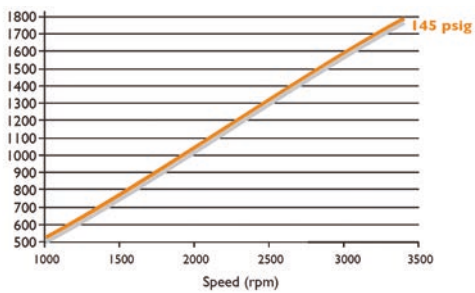
Air Capacity (m³/min)



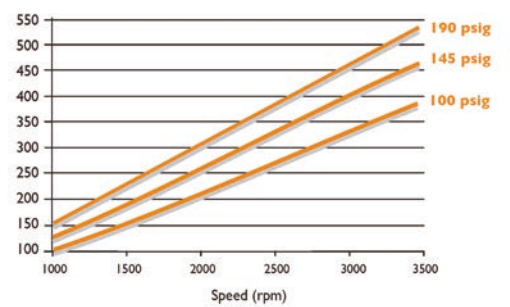
Power (kW)



Air Capacity (cfm)



Power (HP)



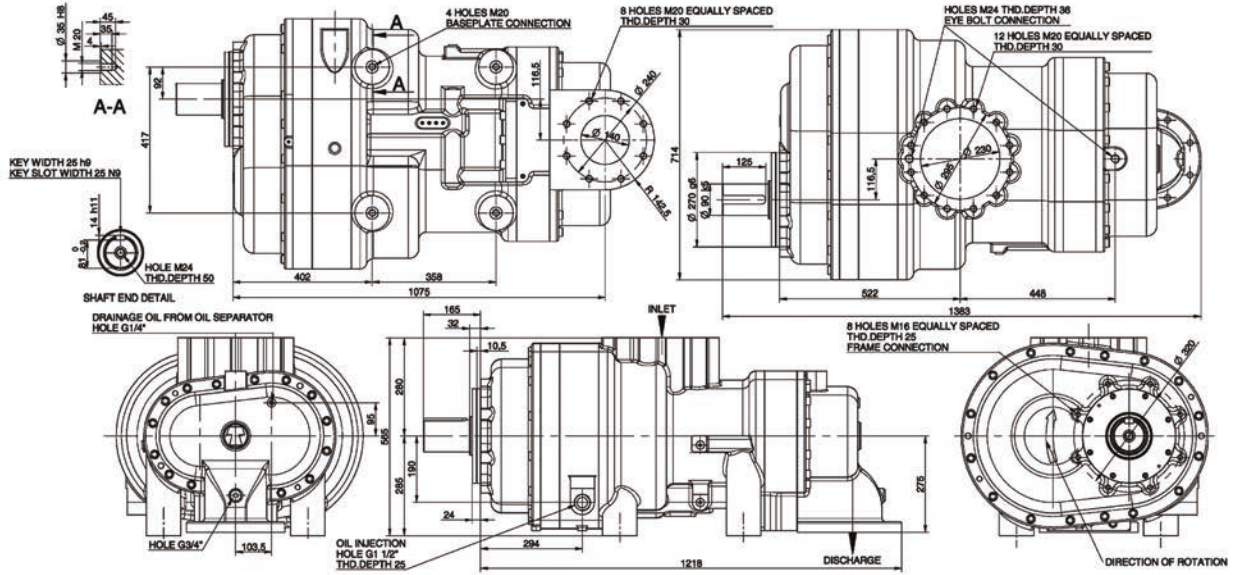
Drive: Male
Lobe combination: 5/6
Male rotor size: 281 mm

Female rotor size: 233.9 mm
L/D: 1.70

Working pressure: min 3 barg/40 psig - max 15 barg/220 psig
Weight: 888 Kg - 1957 lbs

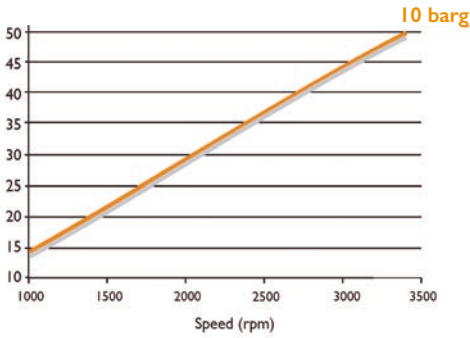
SCA30G-R

Outside view drawing

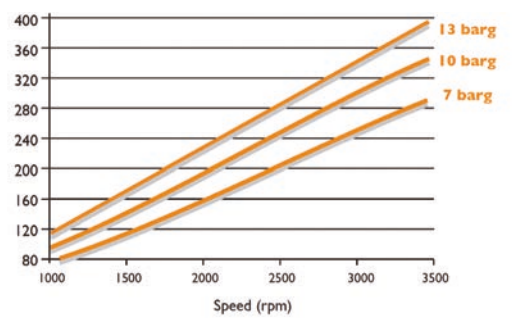


Data Tables

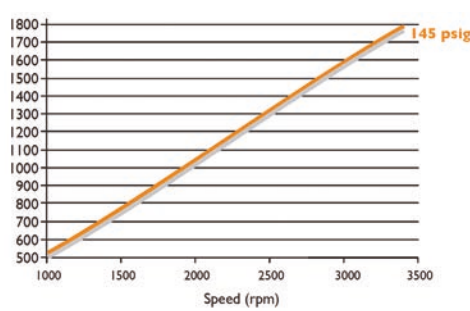
Air Capacity (m³/min)



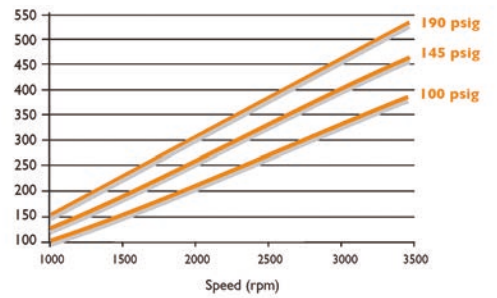
Power (kW)



Air Capacity (cfm)



Power (HP)



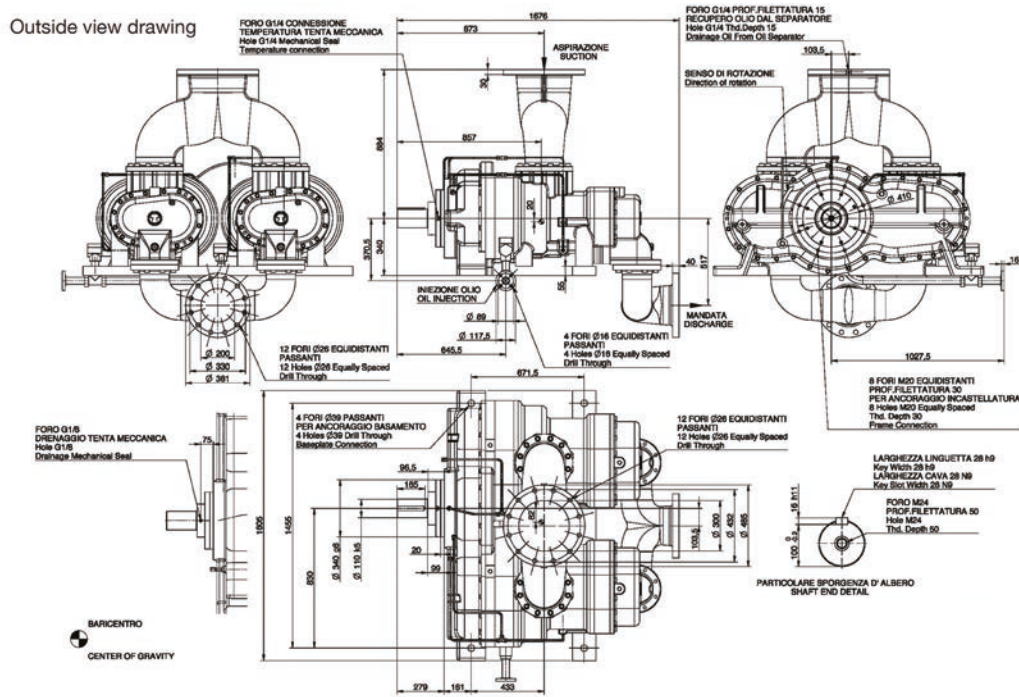
Drive: Male
Lobe combination: 5/6
Male rotor size: 281 mm

Female rotor size: 233.9 mm
L/D: 1.70

Working pressure: min 3 barg/40 psig - max 15 barg/220 psig
Weight: 1040 Kg - 2293 lbs

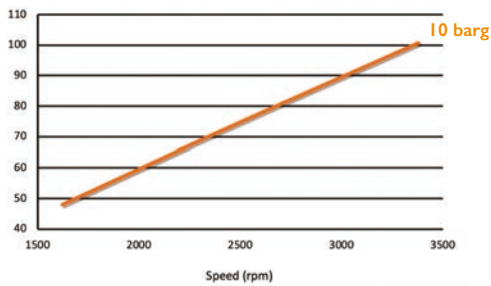
SCA30TWIN

Outside view drawing

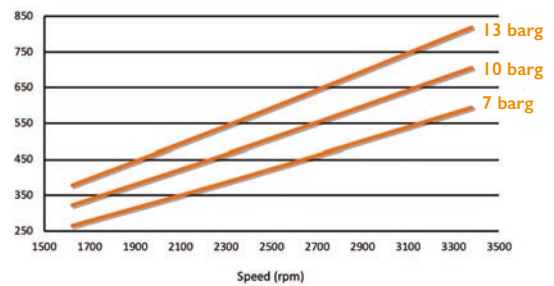


Data Tables

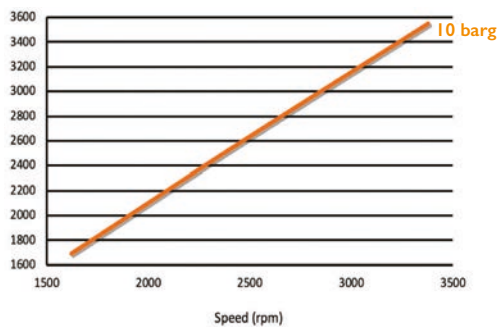
Air Capacity (m³/min)



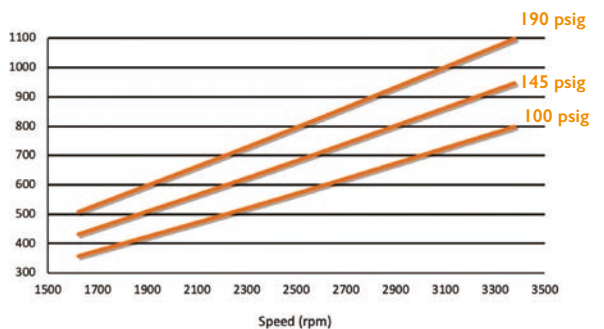
Power (kW)



Air Capacity (cfm)



Power (HP)



Drive: Male
Lobe combination: 5/6
Male rotor size: 281 mm

Female rotor size: 233.9 mm
L/D: 1.70

Working pressure: min 3 barg/40 psig - max 15 barg/220 psig
Weight: 2755 Kg - 6074 lbs

ITA SERIES IMPROVED TERMOMECCANICA COMPRESSORS

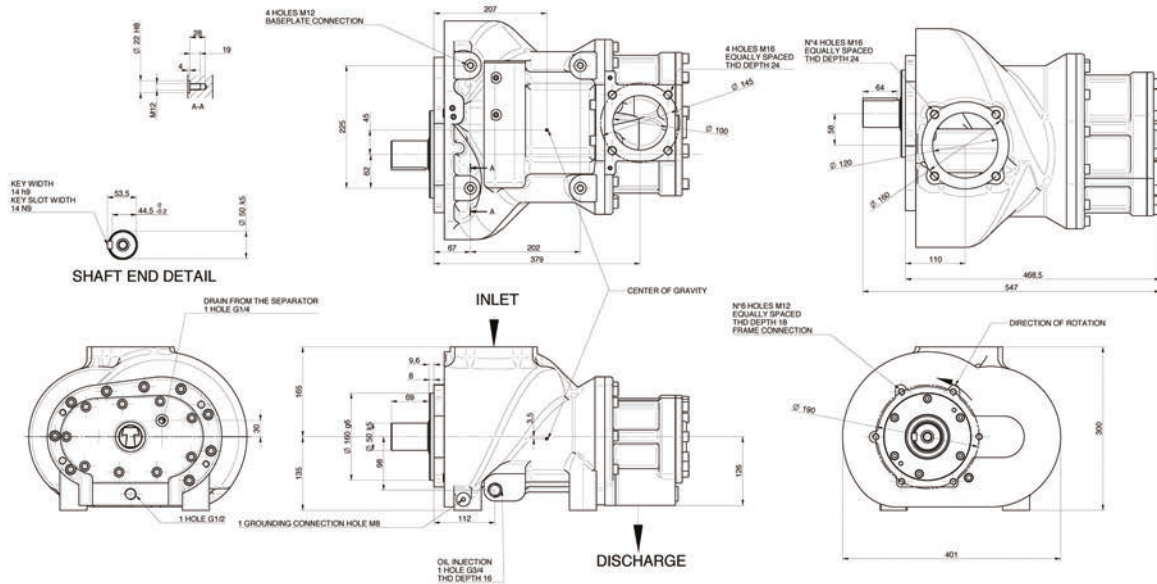


A machine fully dedicated to AIR applications

- Rotor profile completely designed by TMIC
- Optimized compact design
- Reduced speed operation
- High efficiency
- Low Noise

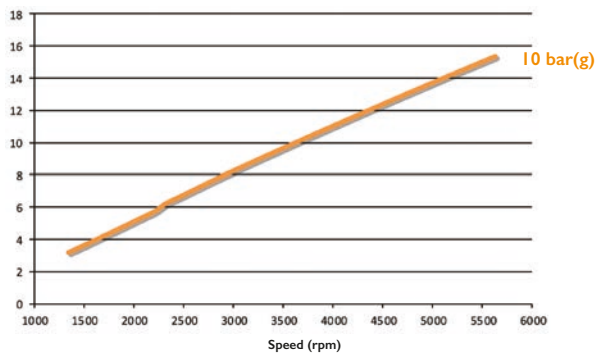
ITA18D-R

Outside view drawing

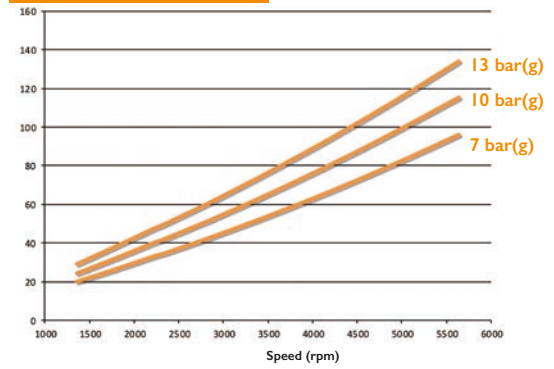


Data Tables

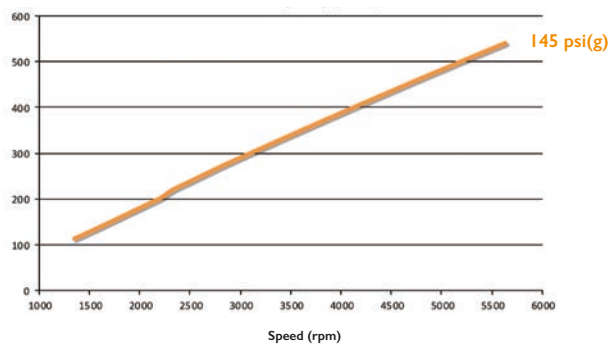
Air Capacity (m³/min)



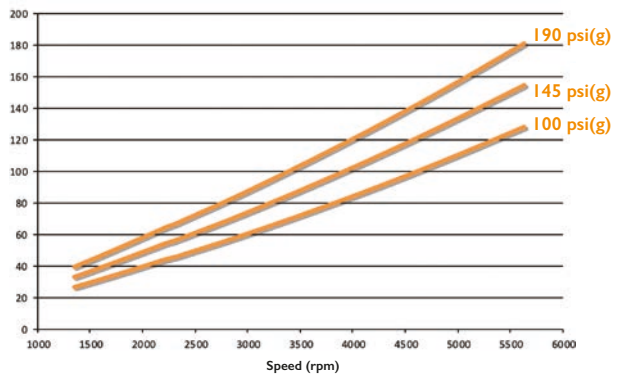
Power (kW)



Air Capacity (cfm)



Power (HP)



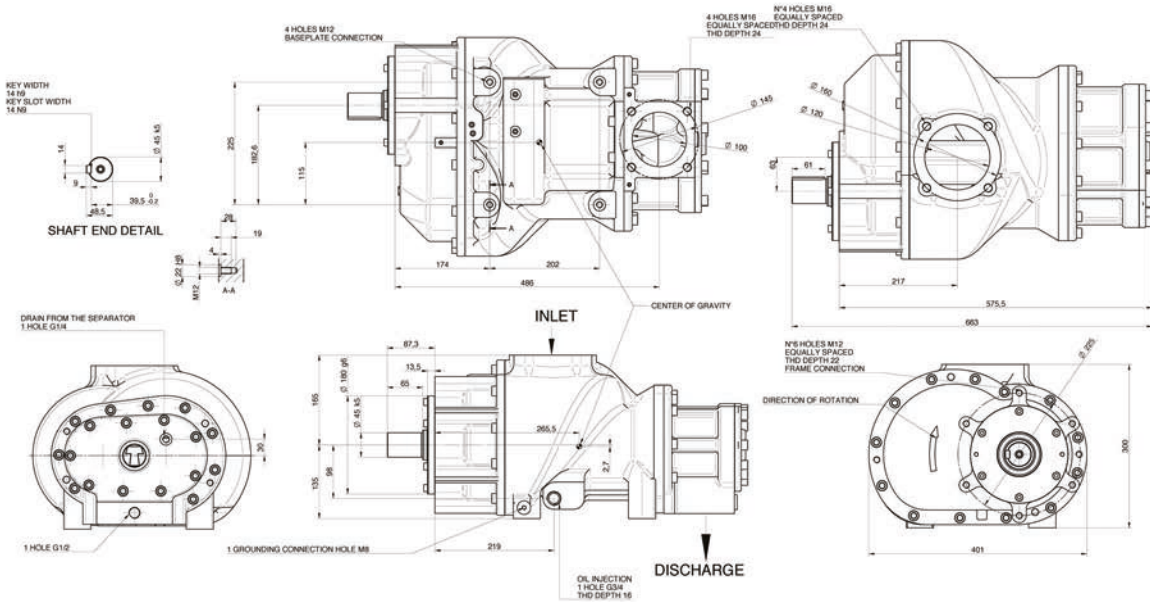
Drive: Male
Lobe combination: 5/6
Male rotor size: 161.6 mm

Female rotor size: 131 mm
L/D: 1.57

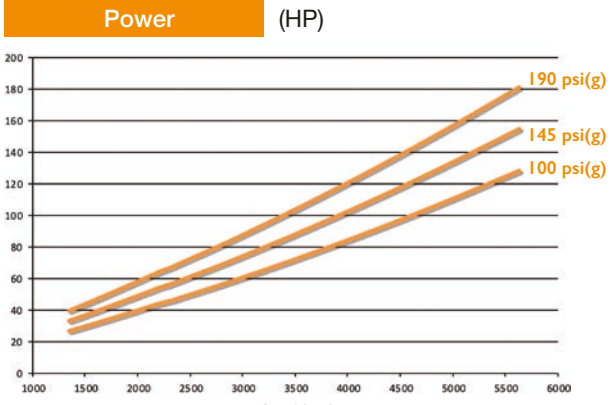
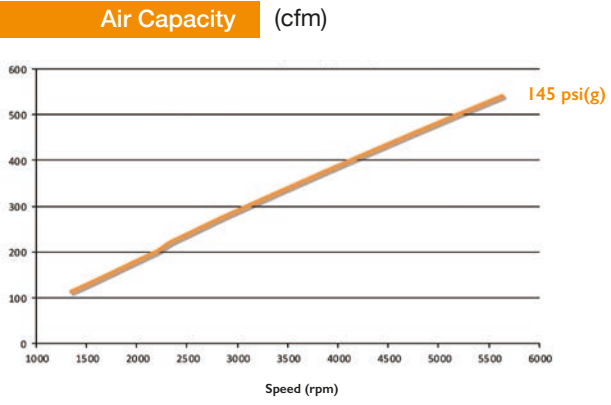
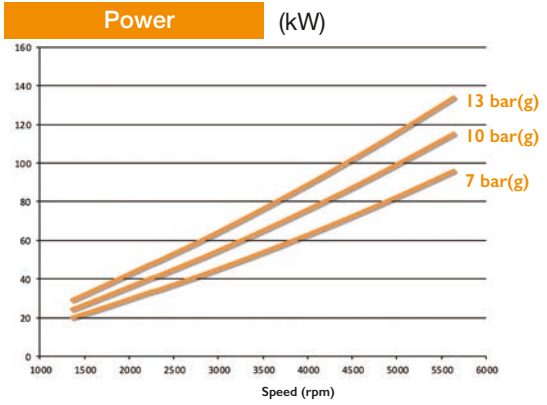
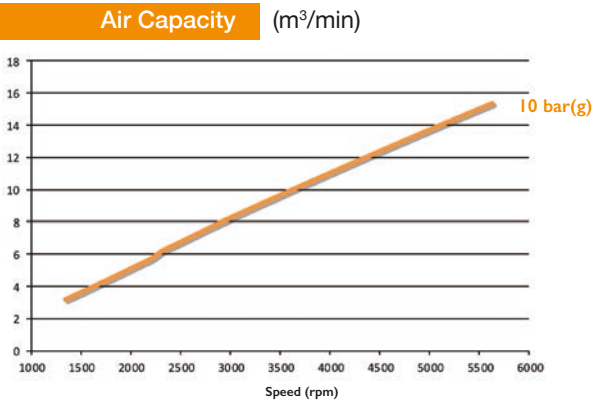
Working pressure: min 3 barg/40 psig - max 15 barg/220 psig
Weight: 140 Kg - 309 lbs

ITA18G-R

Outside view drawing



Data Tables



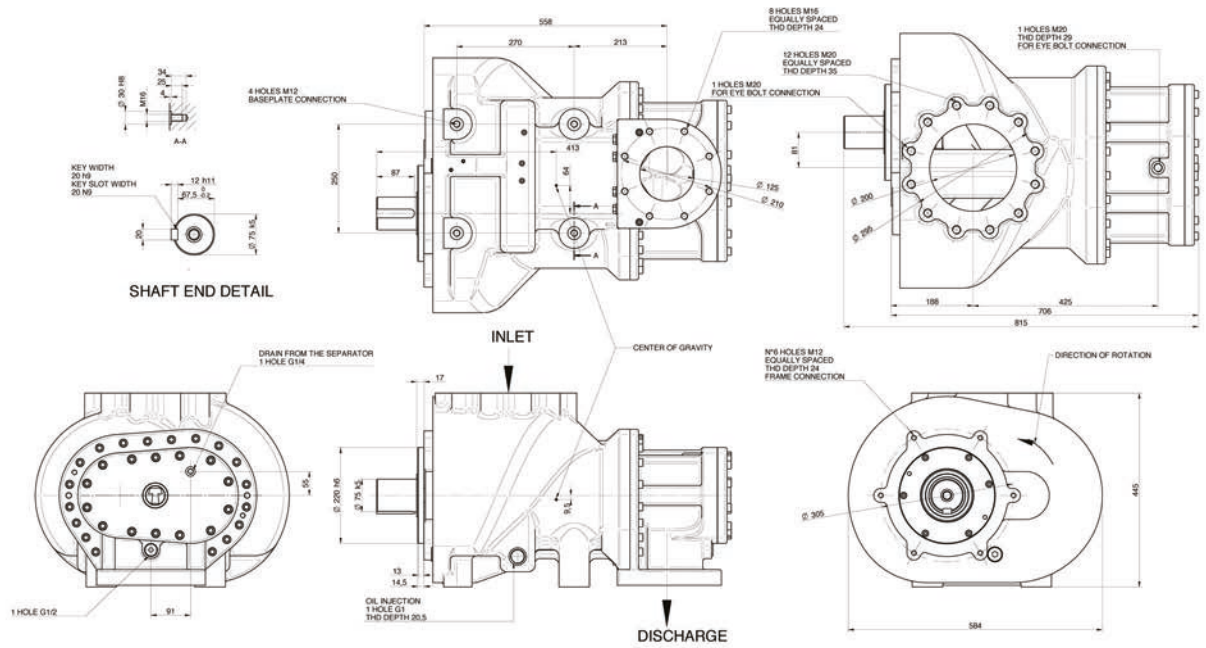
Drive: Male
Lobe combination: 5/6
Male rotor size: 161.6 mm

Female rotor size: 131 mm
L/D: 1.57

Working pressure: min 3 barg/40 psig - max 15 barg/220 psig
Weight: 156 Kg - 344 lbs

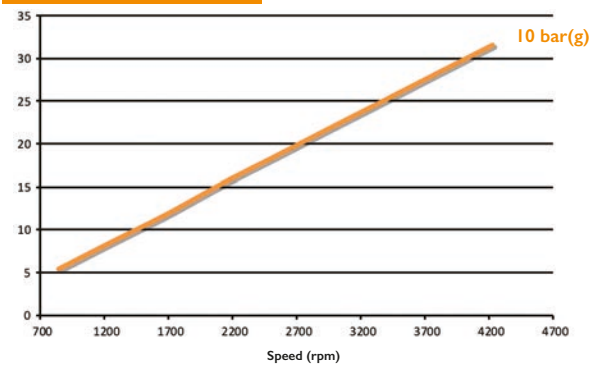
ITA23D-R

Outside view drawing

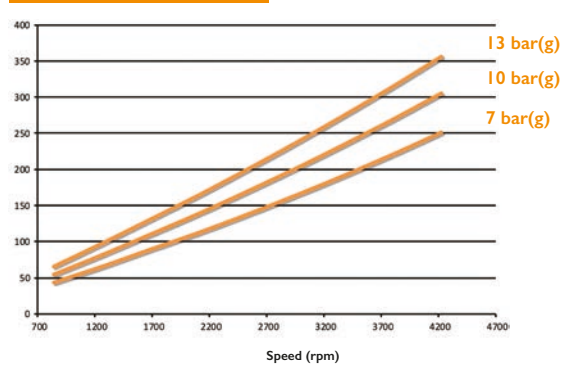


Data Tables

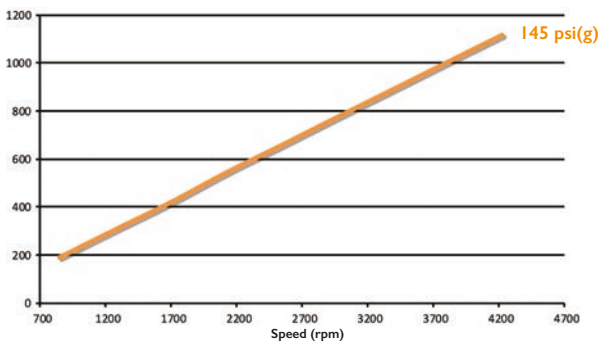
Air Capacity (m³/min)



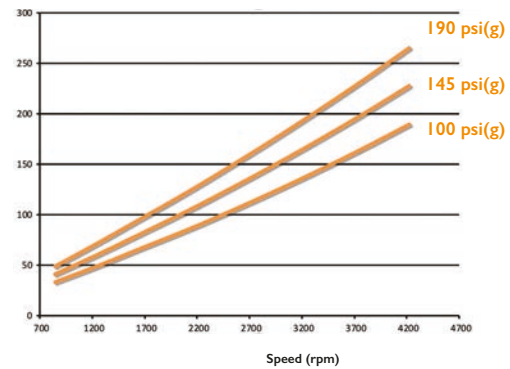
Power (kW)



Air Capacity (cfm)



Power (HP)



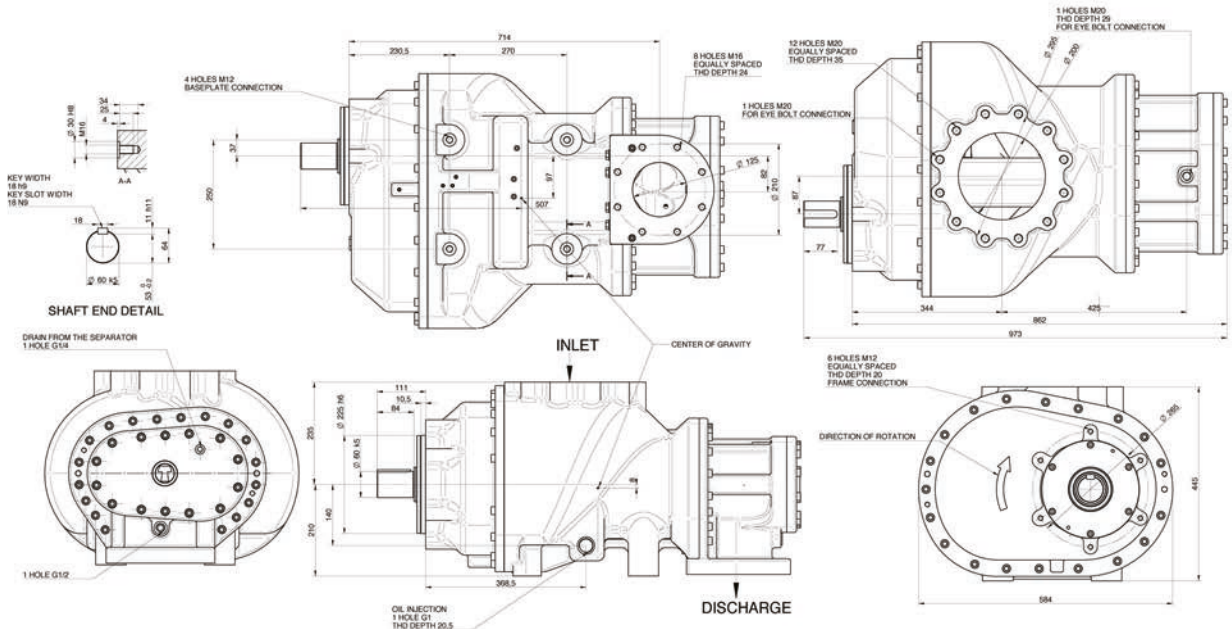
Drive: Male
Lobe combination: 5/6
Male rotor size: 226.1 mm

Female rotor size: 182.9 mm
L/D: 1.57

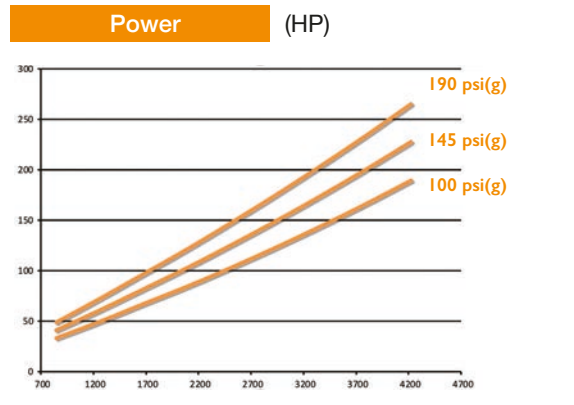
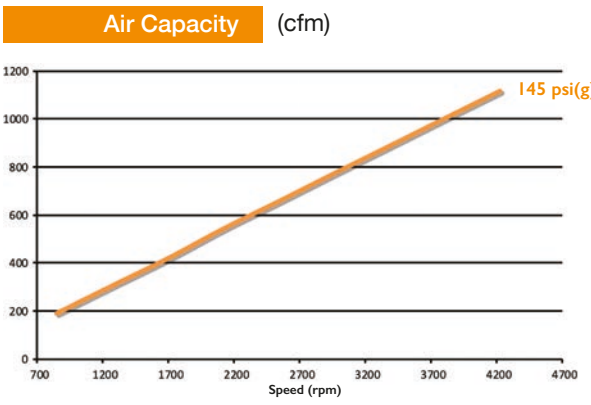
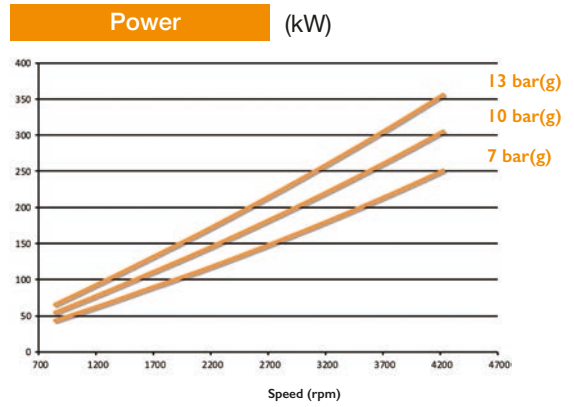
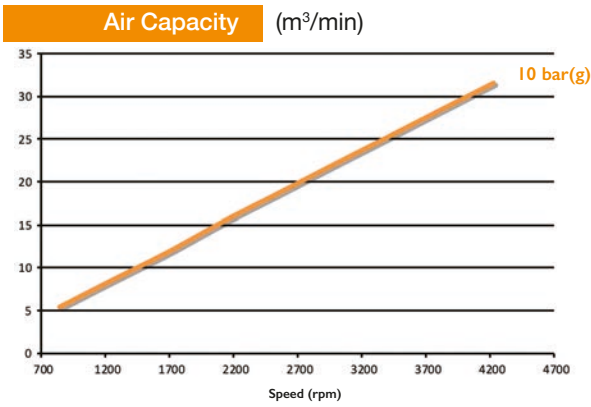
Working pressure: min 3 barg/40 psig - max 15 barg/220 psig
Weight: 410 Kg - 904 lbs

ITA23G-R

Outside view drawing



Data Tables

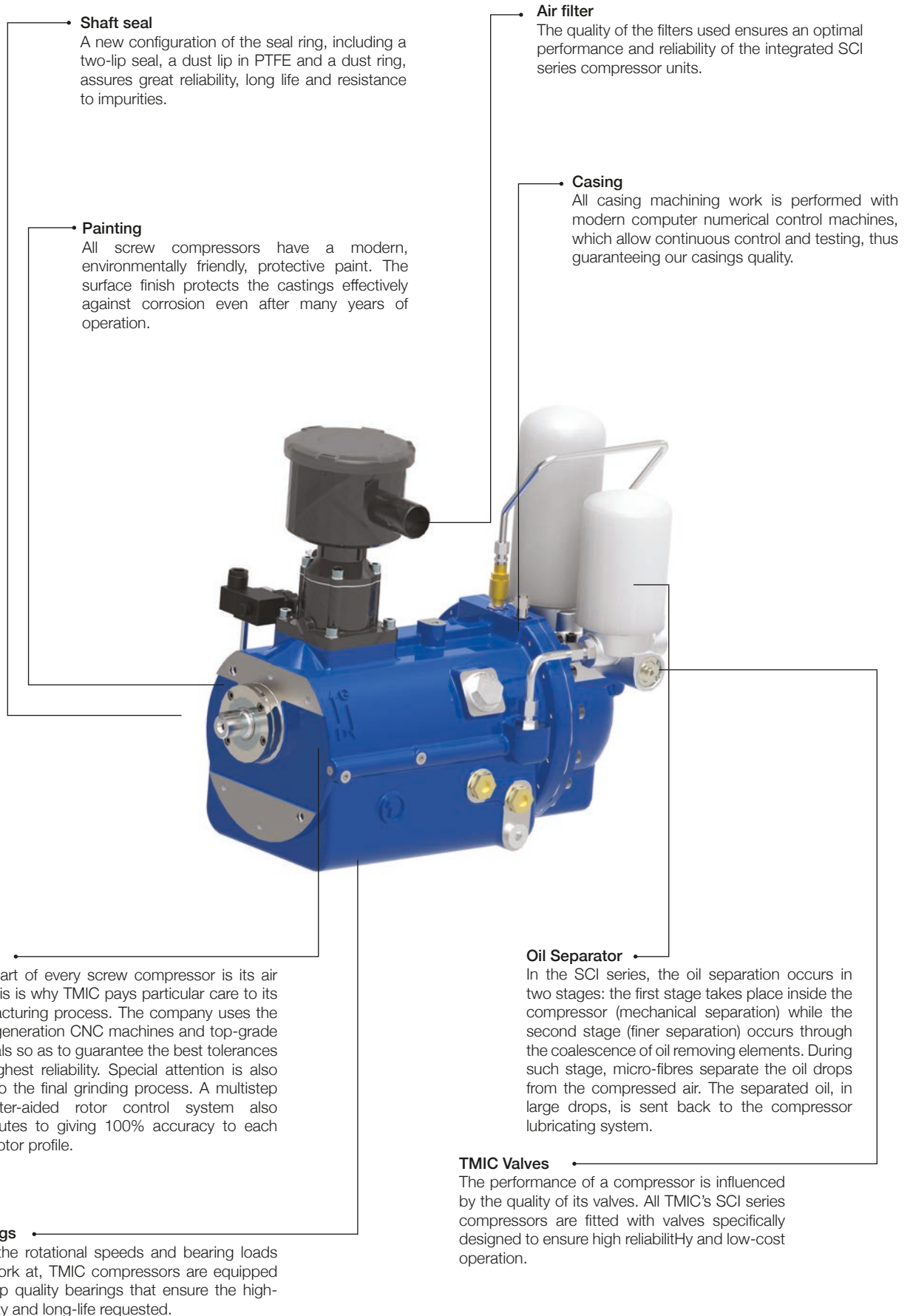


Drive: Male
Lobe combination: 5/6
Male rotor size: 226.1 mm

Female rotor size: 182.9 mm
L/D: 1.5

Working pressure: min 3 barg/40 psig - max 15 barg/220 psig
Weight: 490 Kg - 1080 lbs

SCI new integrated oil injected screw compressor



SCI Series

Product features

Main features

New profile 5/6 lobe relation

High volumetric efficiency

Low running cost

Low air discharge temperature

Low noise level

SCI standard discharge pressure range – from 3 to 15 barg (43.5 to 220 psig); higher pressure upon request

PTFE double lip seal

Integration

Thermostatic valve

Minimum pressure valve

Intake regulator

Oil filter

Air filter

Oil separator filter

Solenoid filter

Oil recovery system

Sizes

SCI7

SCI7D

SCI8

SCI8D - SCI8G

SCI10

SCI10D - SCI10G

D direct version

G gearbox version

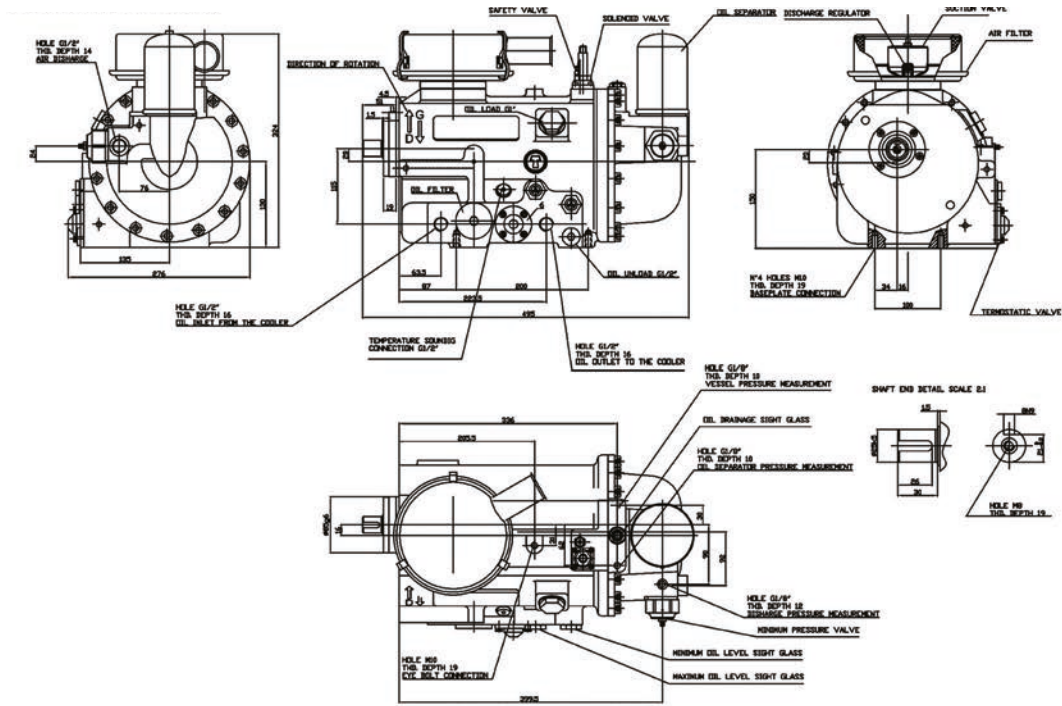
TMIC

A unique partner for your
special air applications



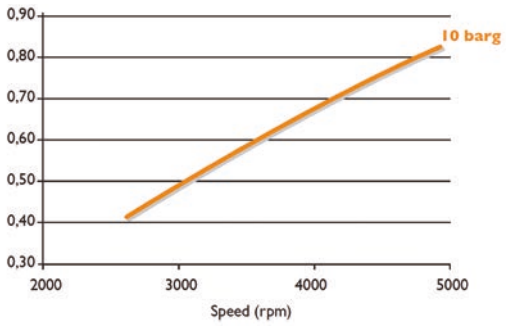
SCI7D

Outside view drawing

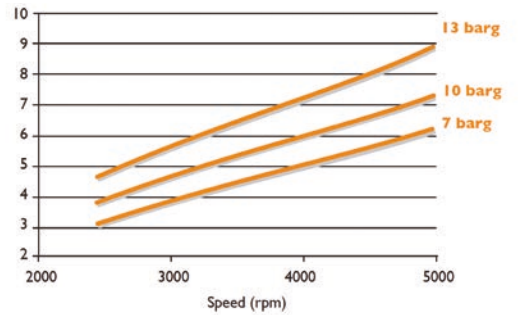


Data Tables

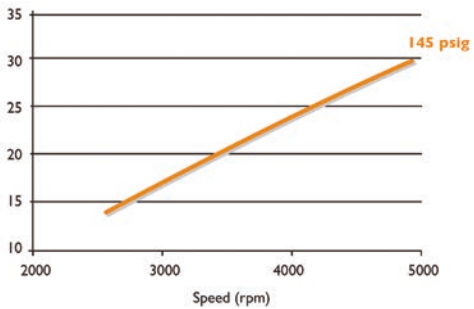
Air Capacity (m³/min)



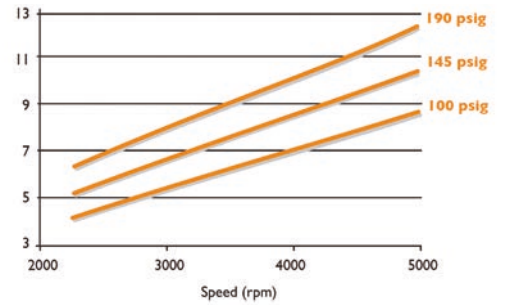
Power (kW)



Air Capacity (cfm)



Power (HP)



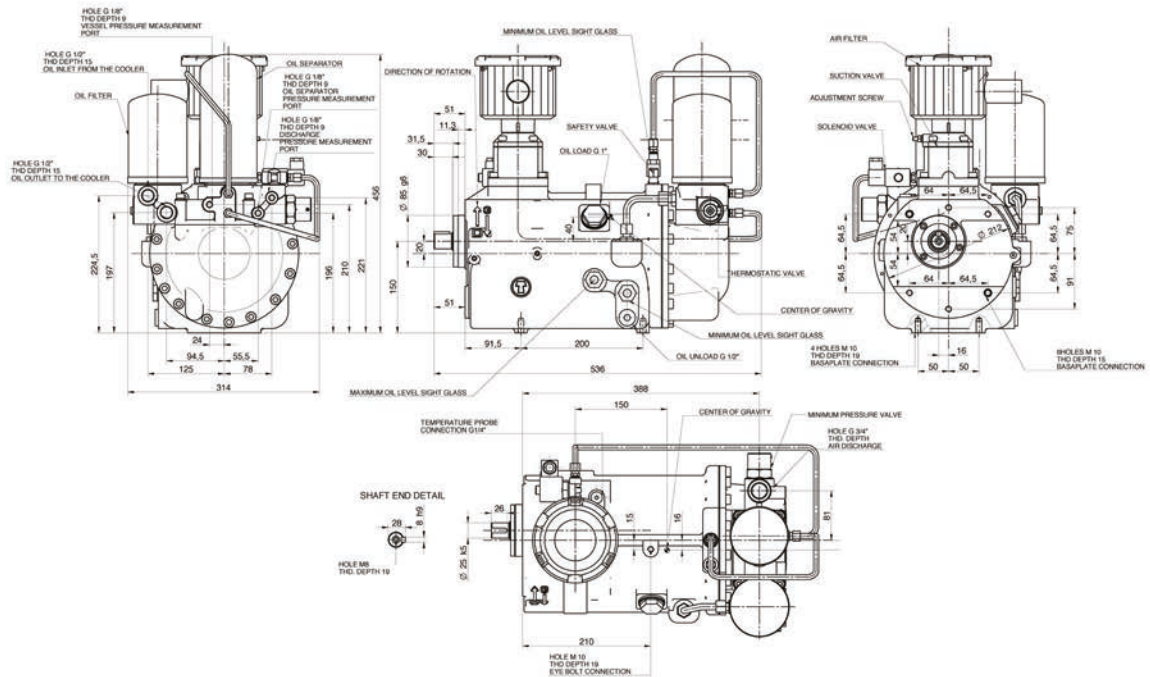
Drive: Male
Lobe combination: 5/6
Male rotor size: 74 mm

Female rotor size: 61.6 mm
L/D: 1.25

Working pressure: min 3 barg/40 psig - max 13 barg/190 psig
Weight: 56 Kg - 123 lbs

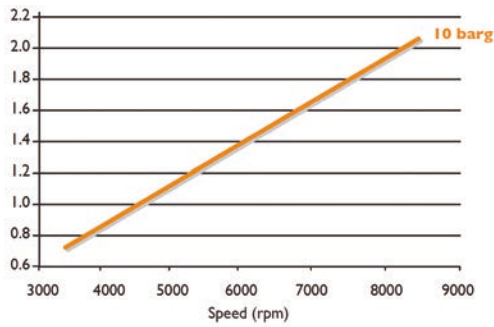
SCI8D

Outside view drawing

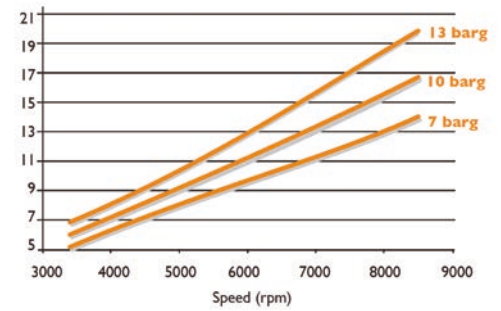


Data Tables

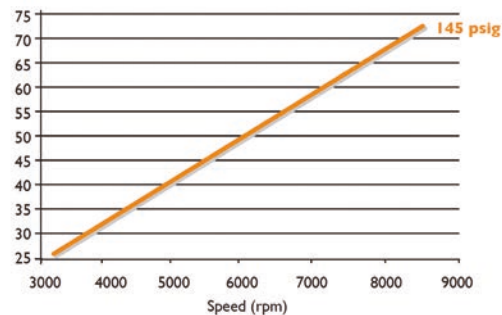
Air Capacity (m³/min)



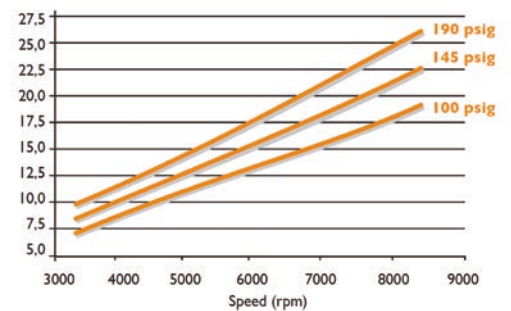
Power (kW)



Air Capacity (cfm)



Power (HP)



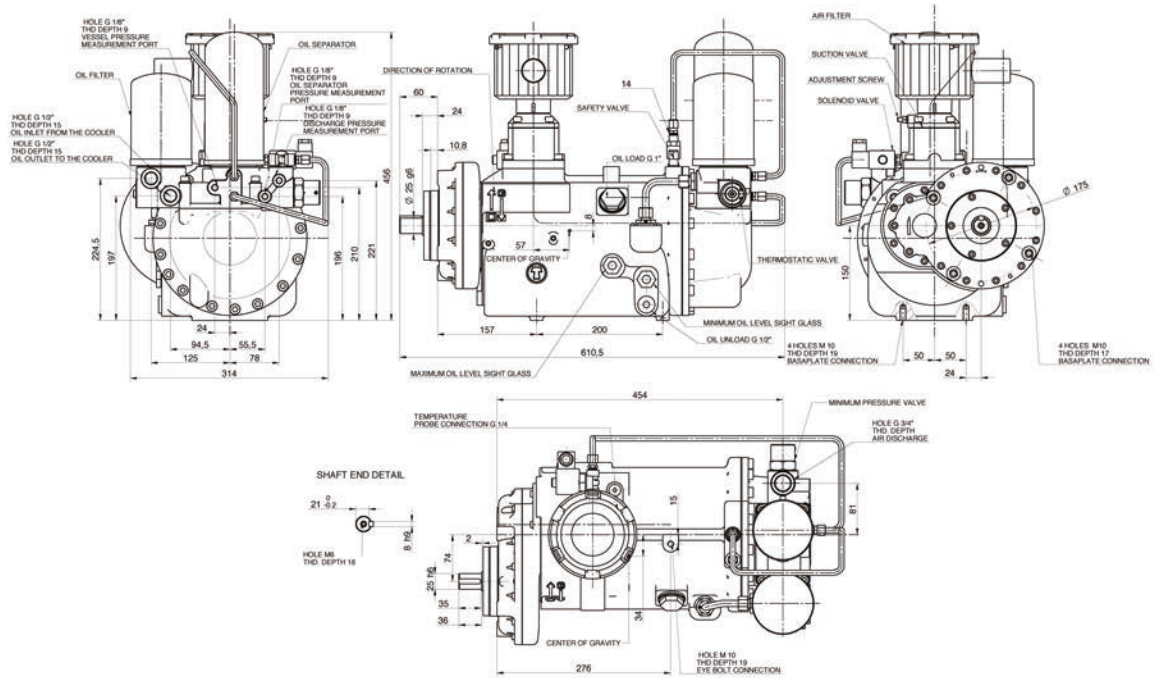
Drive: Male
Lobe combination: 5/6
Male rotor size: 74 mm

Female rotor size: 61.6 mm
L/D: 1.65

Working pressure: min 3 barg/40 psig - max 13 barg/190 psig
Weight: 52 Kg - 115 lbs

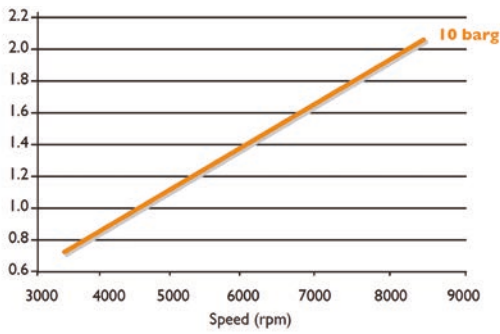
SCI8G

Outside view drawing

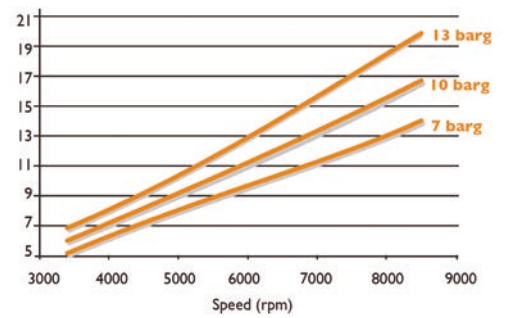


Data Tables

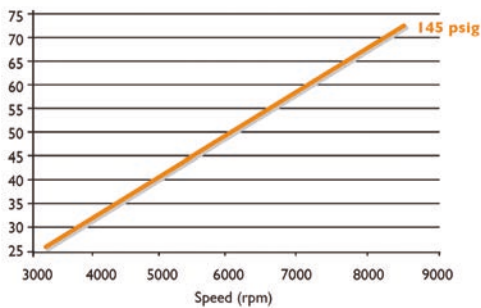
Air Capacity (m³/min)



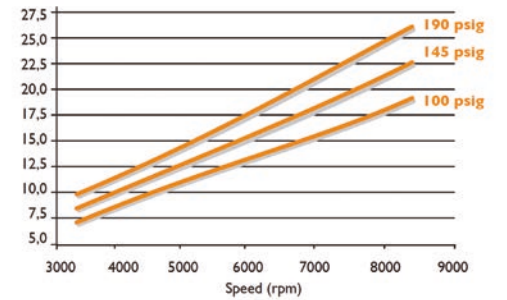
Power (kW)



Air Capacity (cfm)



Power (HP)



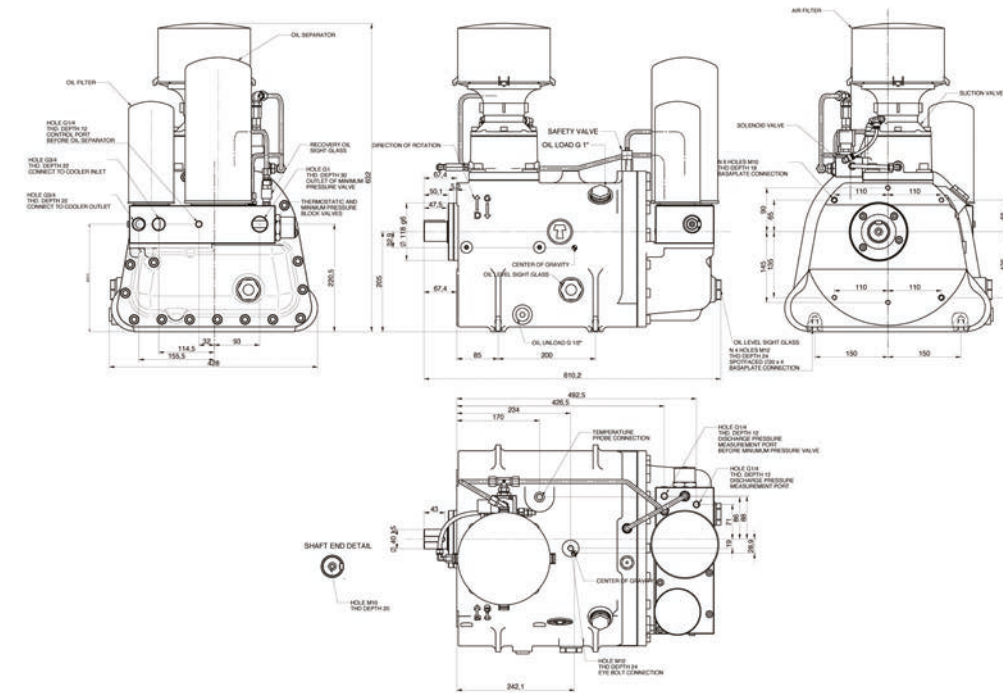
Drive: Male
Lobe combination: 5/6
Male rotor size: 74 mm

Female rotor size: 61.6 mm
L/D: 1.65

Working pressure: min 3 barg/40 psig - max 13 barg/190 psig
Weight: 63 Kg - 139 lbs

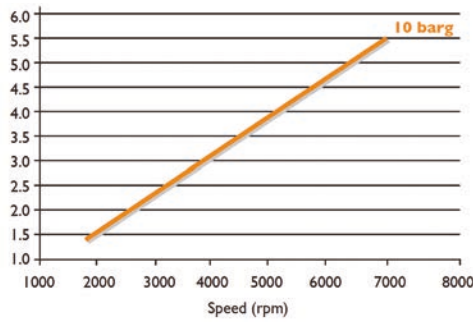
SCI10D

Outside view drawing

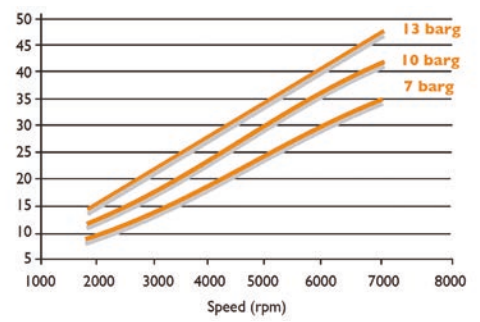


Data Tables

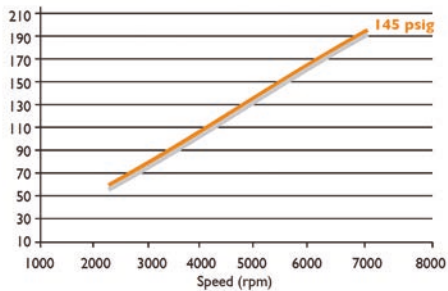
Air Capacity (m³/min)



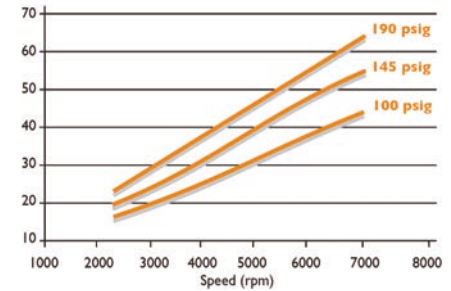
Power (kW)



Air Capacity (cfm)



Power (HP)



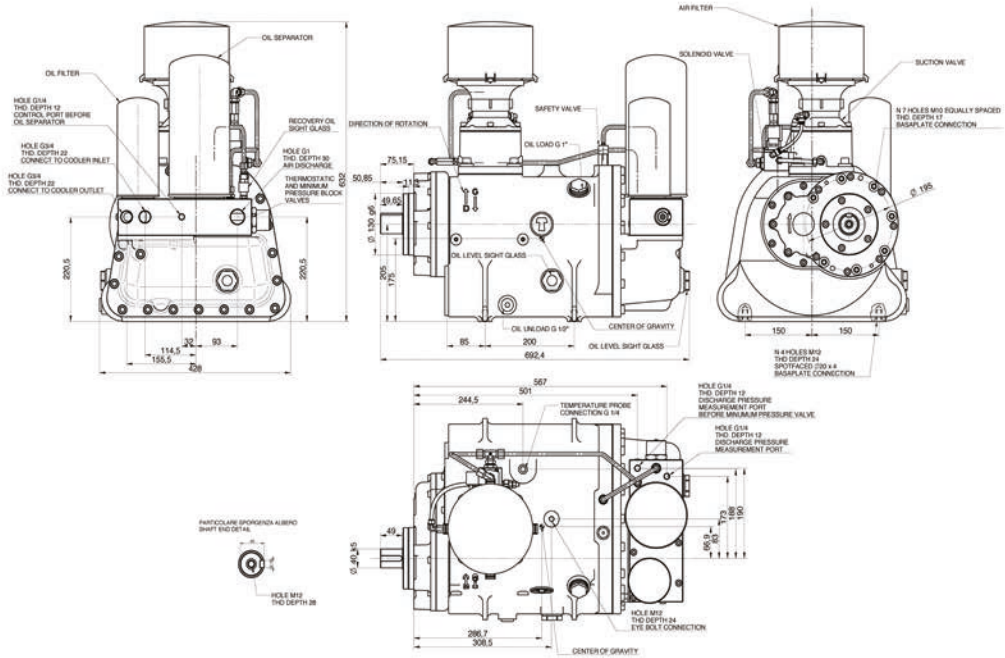
Drive: Male
Lobe combination: 5/6
Male rotor size: 108.6 mm

Female rotor size: 90.4 mm
L/D: 1.56

Working pressure: min 3 barg/40 psig - max 13 barg/190 psig
Weight: 139 Kg - 306 lbs

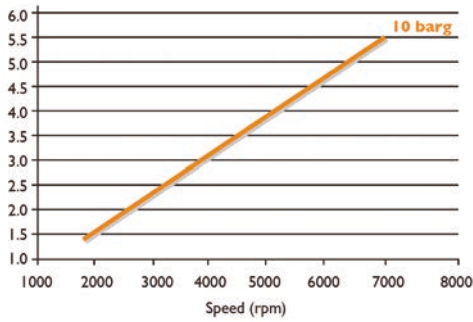
SCI10G

Outside view drawing

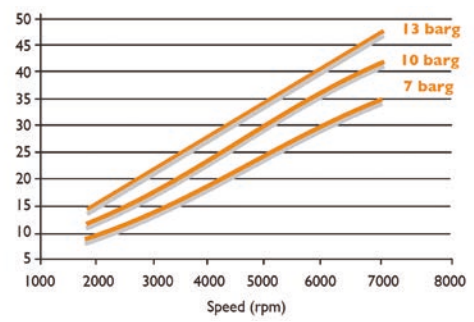


Data Tables

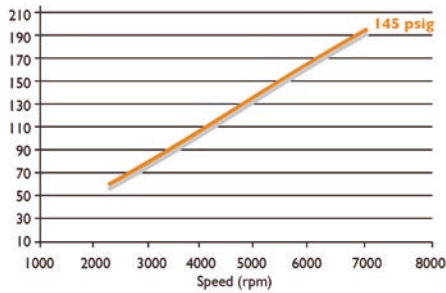
Air Capacity (m³/min)



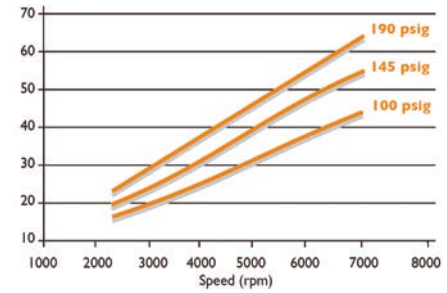
Power (kW)



Air Capacity (cfm)



Power (HP)



Drive: Male
Lobe combination: 5/6
Male rotor size: 108.6 mm

Female rotor size: 90.4 mm
L/D: 1.56

Working pressure: min 3 barg/40 psig - max 13 barg/190 psig
Weight: 153 Kg - 337 lbs

We make
your air compression easier



Termomeccanica Industrial Compressors

The Italian specialist
in designing and manufacturing
bare-shaft screw compressors
for air applications

SLC Series

Product features

Main features

Optimised rotor profile 3/5 lobe relation
Discharge pressure up to 2.5 barg
PTFE double lips seal
Low running cost
High volumetric efficiency
Integrated oil pump for oil lubrication

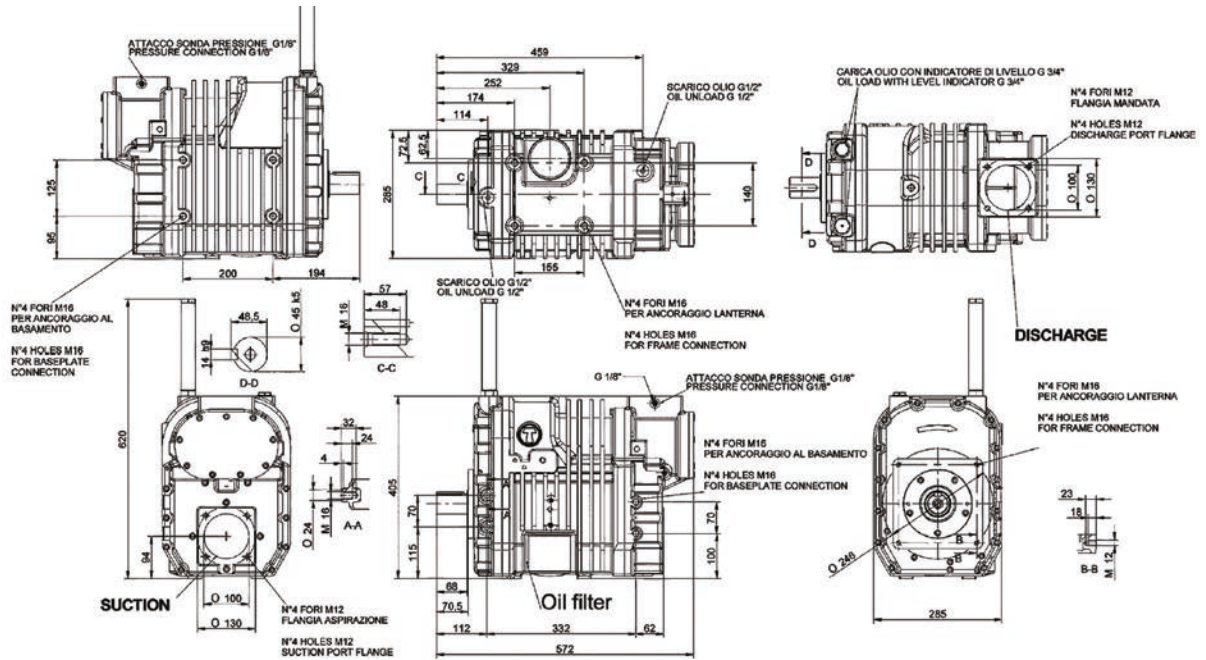
Sizes

SLC

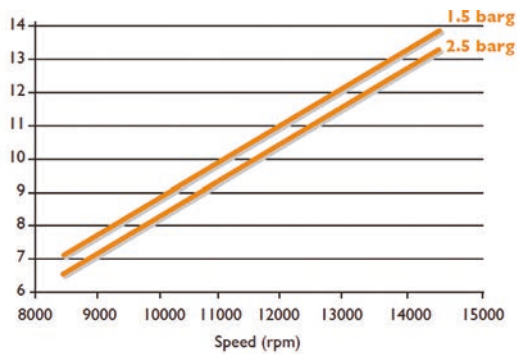
SLC1 - SLC2

SLC1

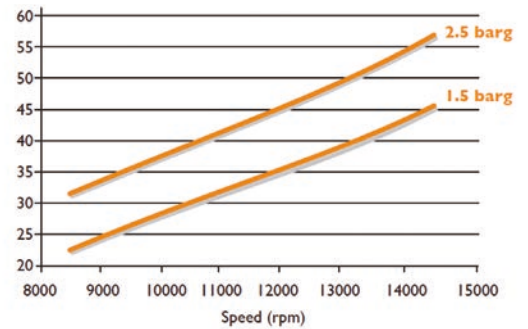
Outside view drawing



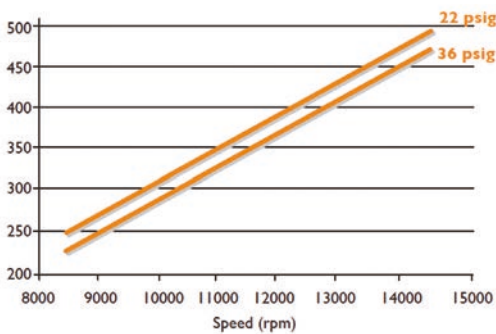
Air Capacity (m³/min)



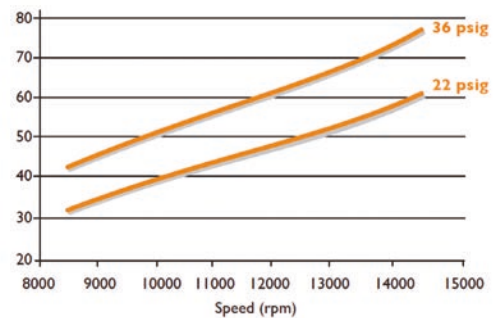
Power (kW)



Air Capacity (cfm)



Power (HP)



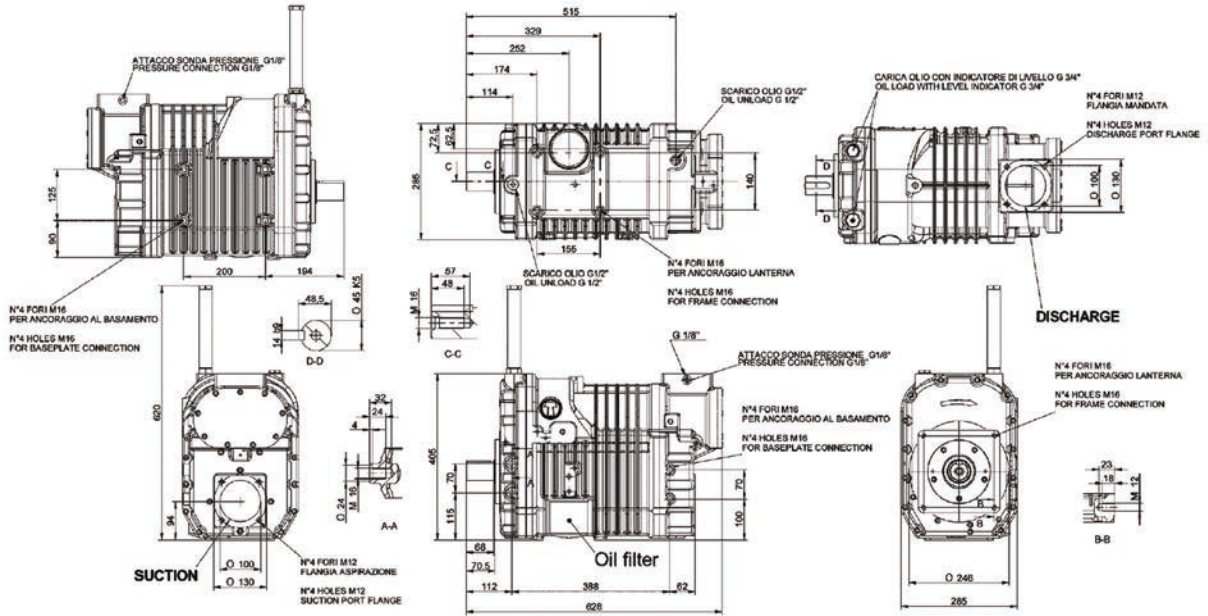
Drive: Female
Lobe combination: 3/5
Male rotor size: 111 mm

Female rotor size: 111 mm
L/D: 1.40

Working pressure: max 2,5 barg
Weight: 140 Kg - 308 lbs

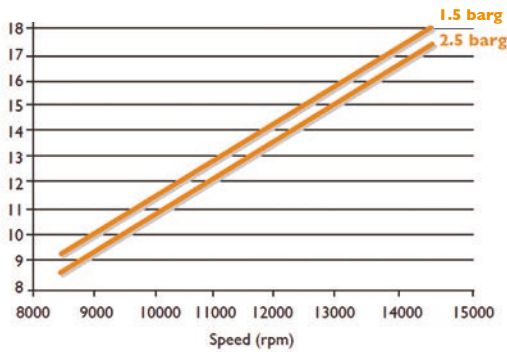
SLC2

Outside view drawing

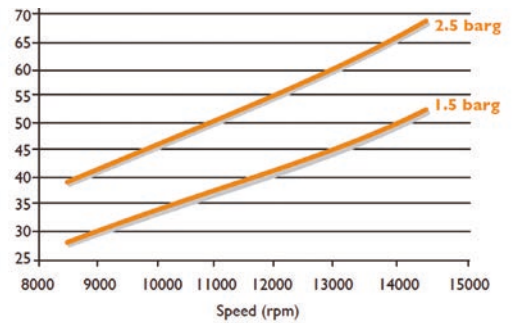


Data Tables

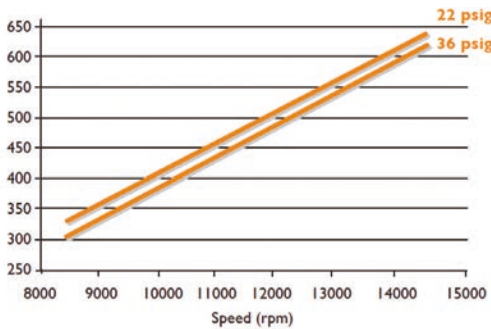
Air Capacity (m³/min)



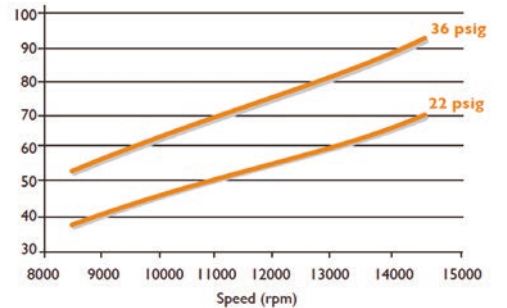
Power (kW)



Air Capacity (cfm)



Power (HP)



Drive: Female
Lobe combination: 3/5
Male rotor size: 111 mm

Female rotor size: 111 mm
L/D: 1.90

Working pressure: max 2,5 barg
Weight: 150 Kg - 330 lbs

TMIC Oil Injected Gas Ends

Products overview



NGSERIES

Capacity range: 0.35 - 45 m³/min
Suction pressure: up to 2 bar
Max discharge pressure: 20 bar

Fixed Vi
Max power: 450 kW

SCG SERIES

Capacity range: 1.2 - 13 m³/min
Suction pressure: up to 3.5 bar
Max discharge pressure: 24 bar

Variable Vi System
Max power: 110 kW

INTEGRATED FOR GAS

Capacity range: 0.2 - 5.5 m³/min
Suction pressure: up to 2 bar
Max discharge pressure: 15 bar

Max power: 45 kW



TM.I.C. S.r.l Termomeccanica Industrial Compressors
Via del Molo 3 • 19126 La Spezia • Italia
Tel. +39 0187 552 1 • Fax. +39 0187 552 464
E-mail: industrialcompressors@termomeccanica.com
www.tmic.termomeccanica.com

