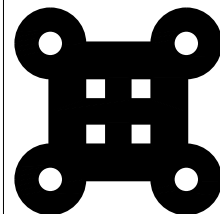


5	HH_00006-REF1	4	SPRAY CAN REFERENCE
4	HH_00006-05	2	STOP PIECE
3	HH_00006-03	4	HORIZONTAL HOLES 20.63"
2	HH_00006-02	5	HORIZONTAL STOP 20.63"
1	HH_00006-01	2	VERTICAL BOARD 32"
ITEM NO	PART NUMBER	QTY	DESCRIPTION

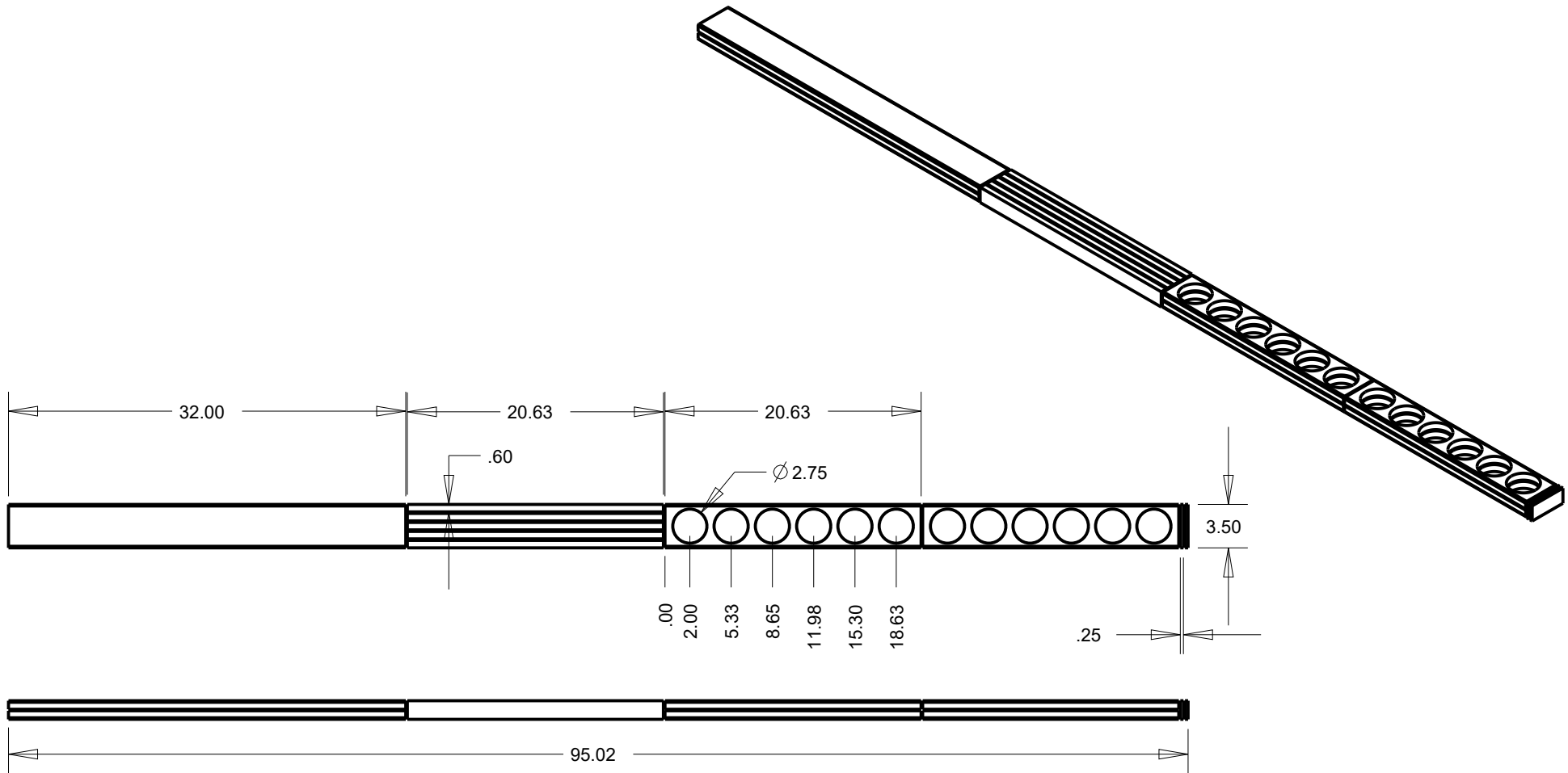


HERZOG'S HANDICRAFT

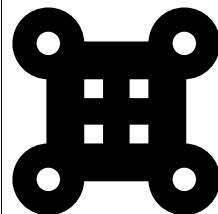
ENGINEER: ETHAN HERZOG

DESCRIPTION: SPRAY CAN HOLDER ASSEMBLY

DETAIL: HOLDS 24 CANS, FITS BETWEEN 24" ON-CENTER STUDS



4	HH_00006-05	2	STOP PIECE
3	HH_00006-03	4	HORIZONTAL HOLES 20.63"
2	HH_00006-02	5	HORIZONTAL STOP 20.63"
1	HH_00006-01	2	VERTICAL BOARD 32"
ITEM NO	PART NUMBER	QTY	DESCRIPTION



HERZOG'S HANDICRAFT

ENGINEER: ETHAN HERZOG

DESCRIPTION: LAYOUT OF ORIGINAL BOARD

DETAIL: CUT PIECES AS SHOWN