



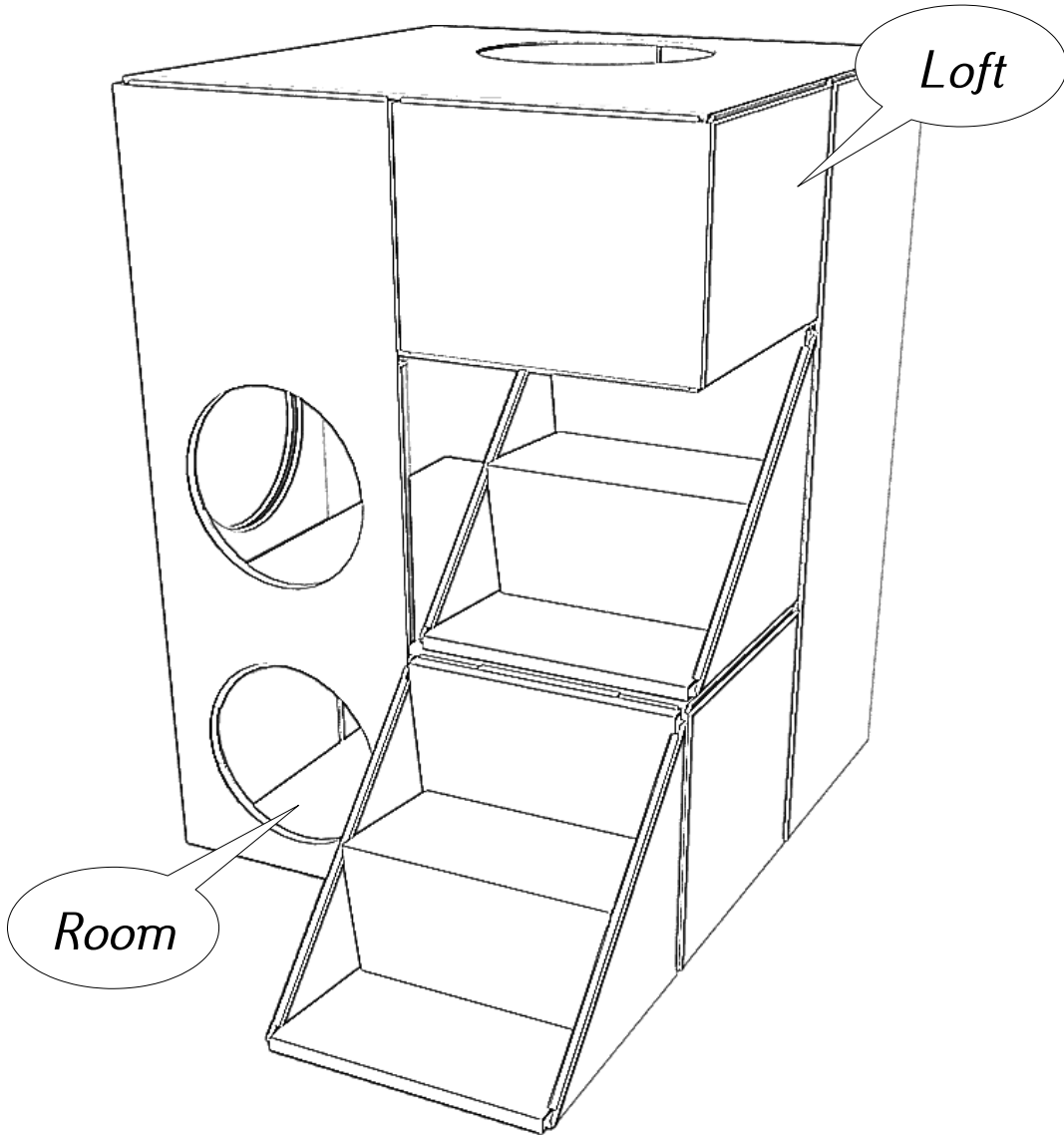
John Brown

This is the house where hamster lives

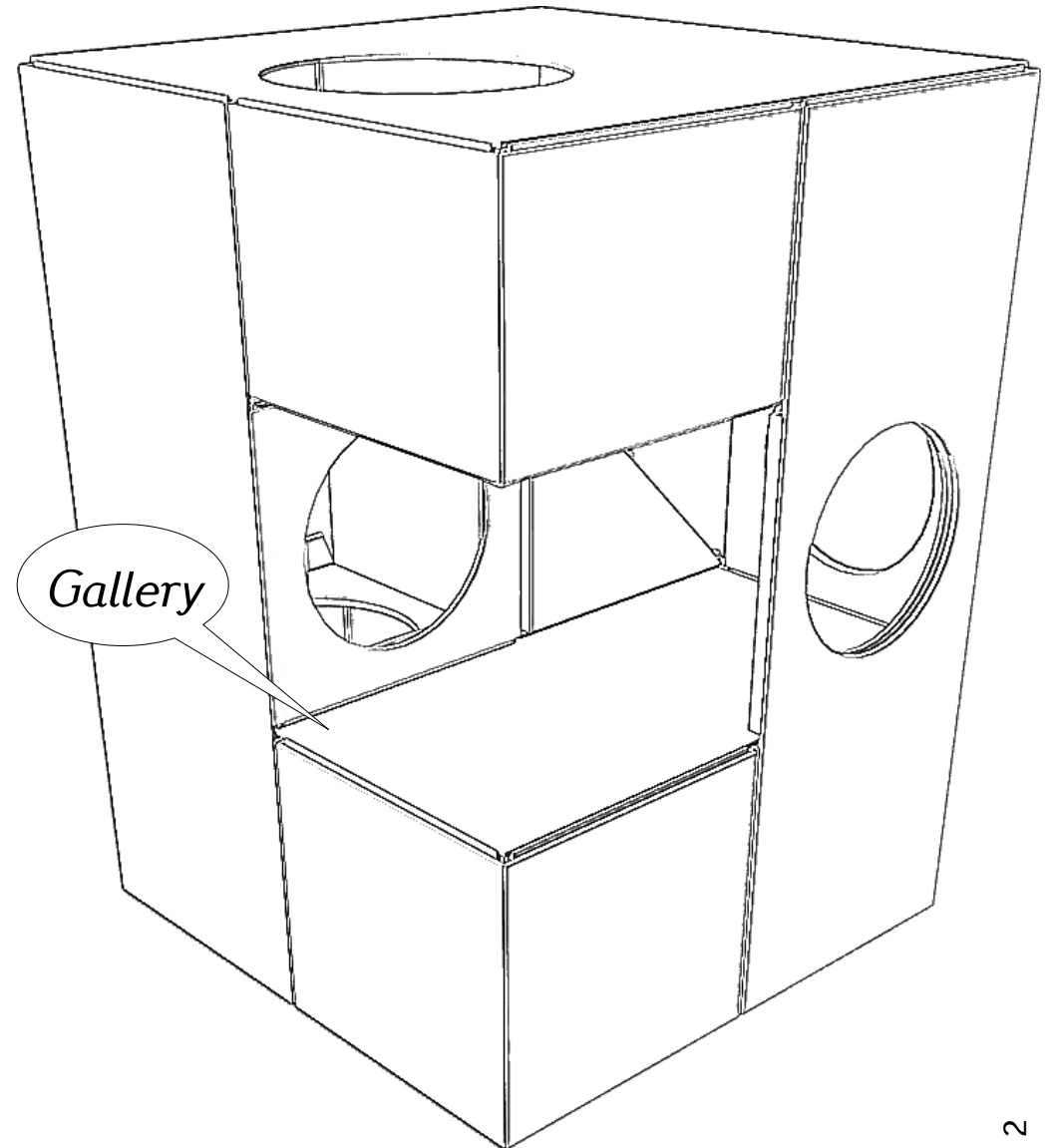
*Craft from a paper milk carton
Assembled without glue*

June 2021

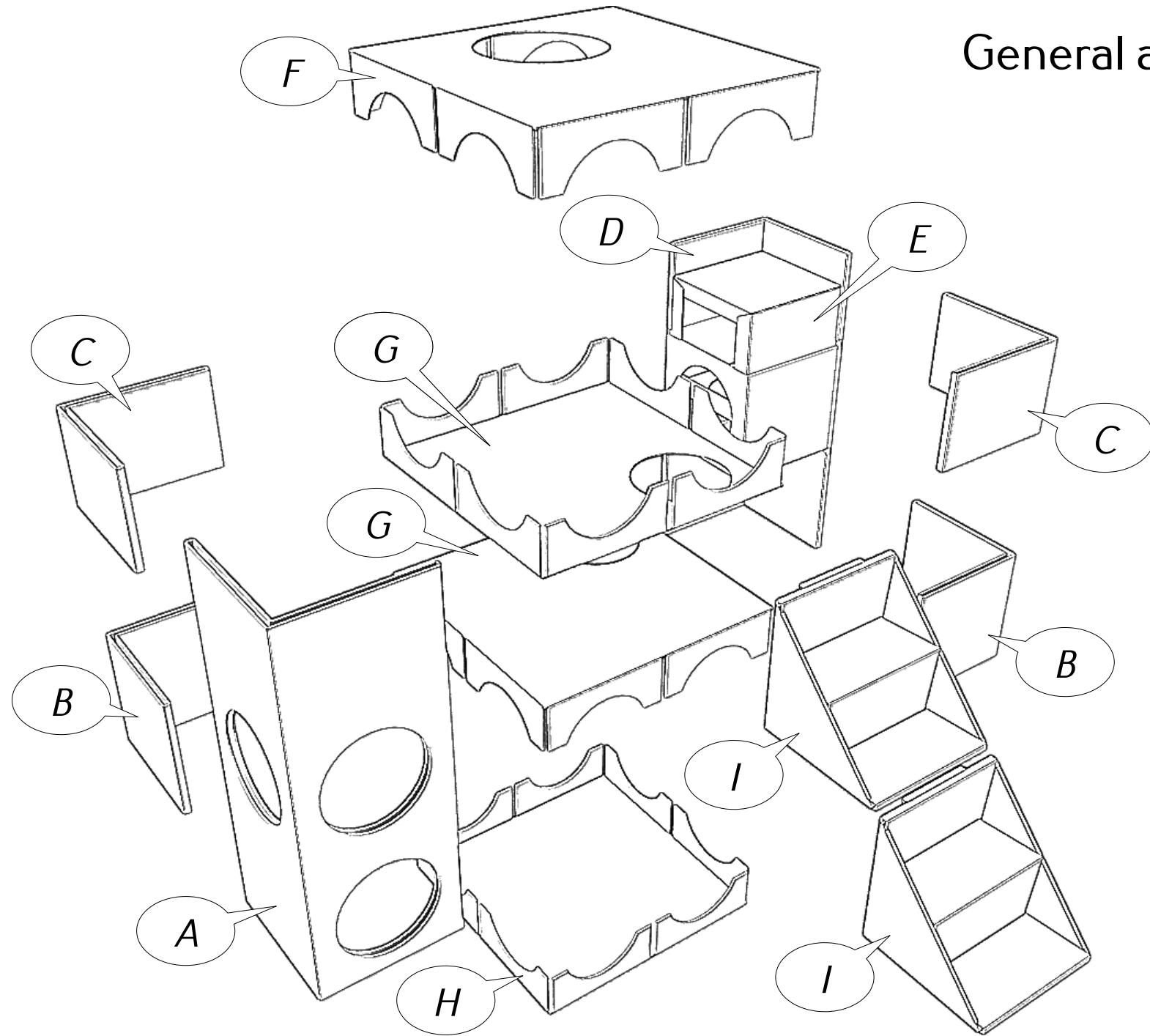
Front view

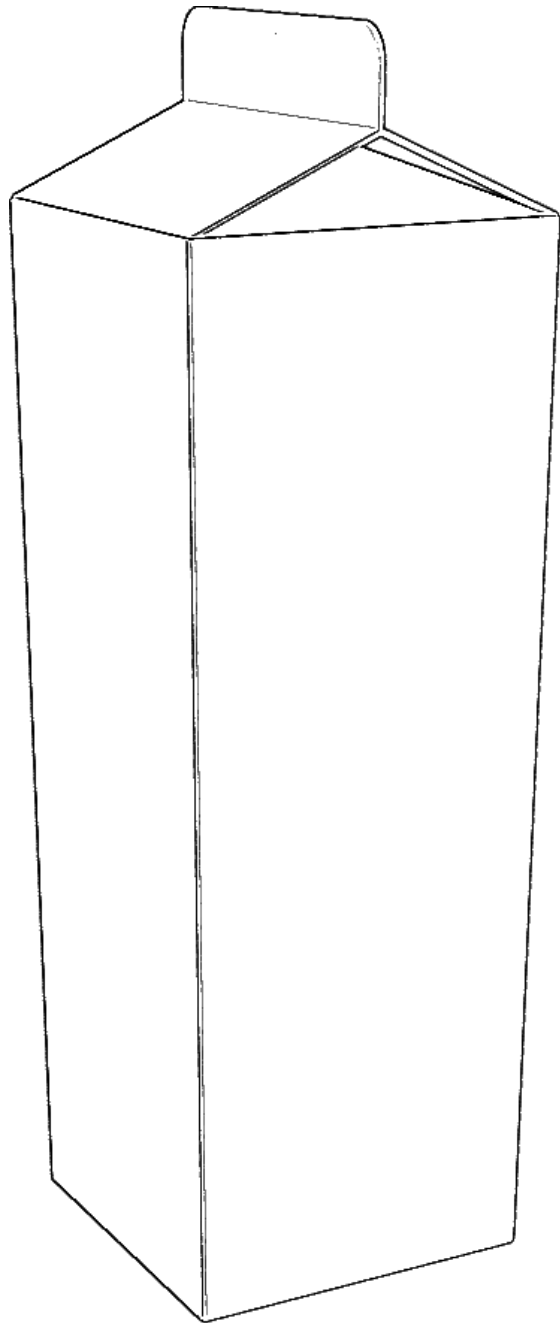


Back view



General assembly diagram



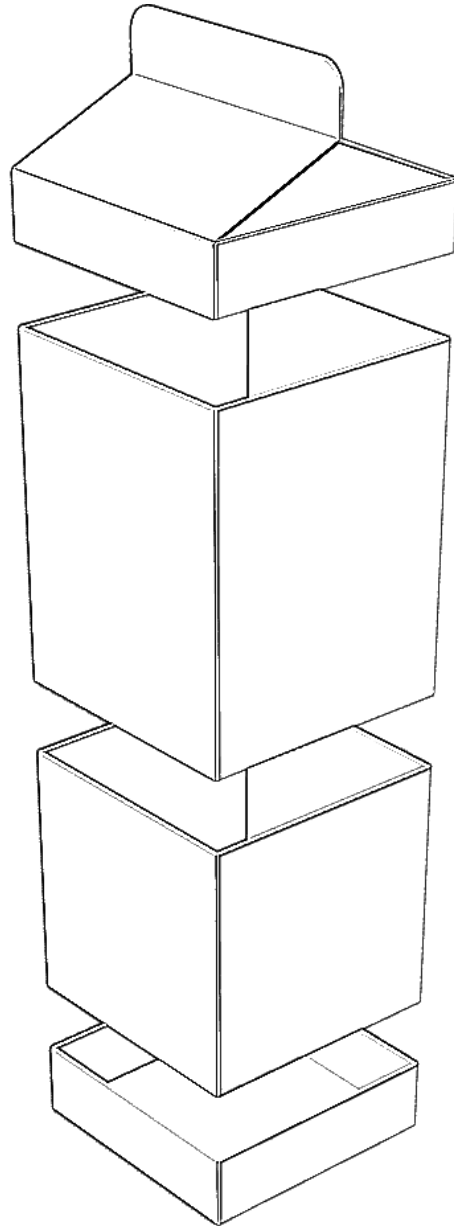
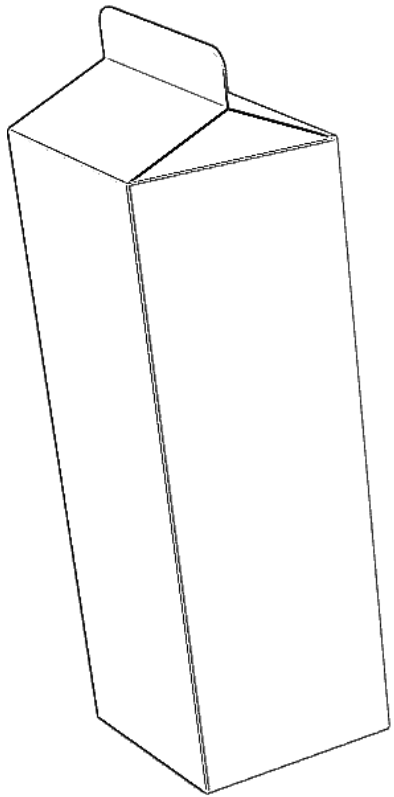


Materials

The house is assembled using the "COLLAPSIBLE CUBE" technology. The material is a paper milk carton. A liter pack with a cross section of 7x7 cm is suitable for this craft.

Mark up parts

There are two ways to mark parts: direct and with a stencil.



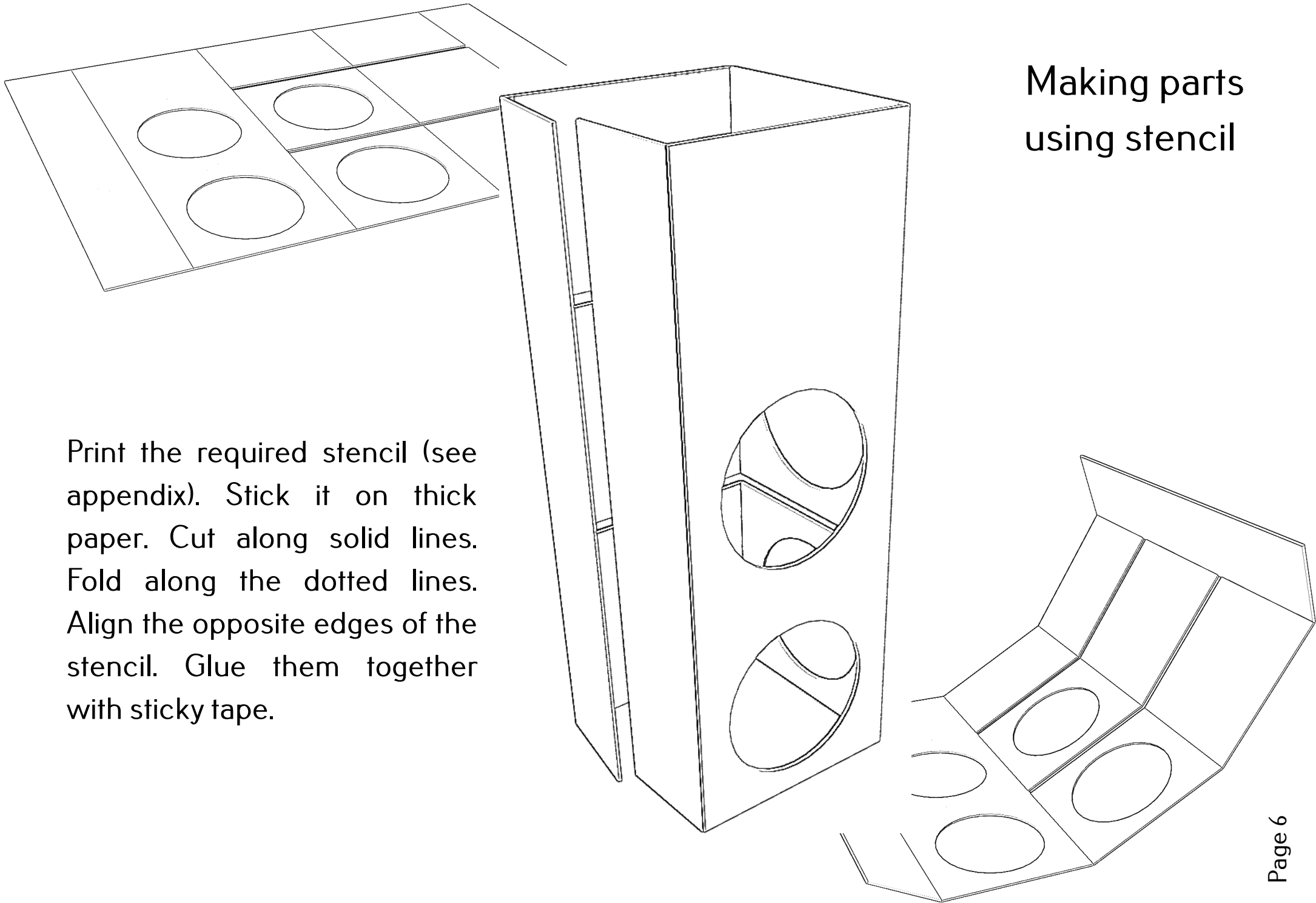
Making parts using direct marking

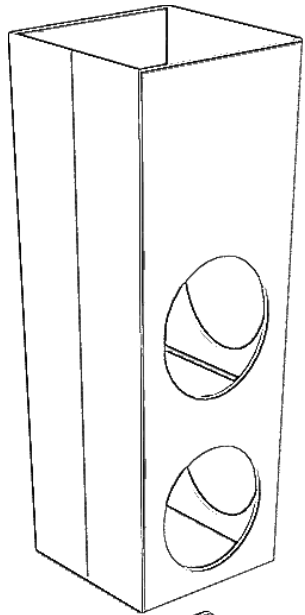
Cut off the bottom and top of the package (they are not needed). The remainder folds perfectly into a flat shape. This is great for marking up. Draw a transverse lines using set square. Cut along the marked lines. This way you can get the "stripes" of the required width.

This method is suitable for making parts B, C and E.

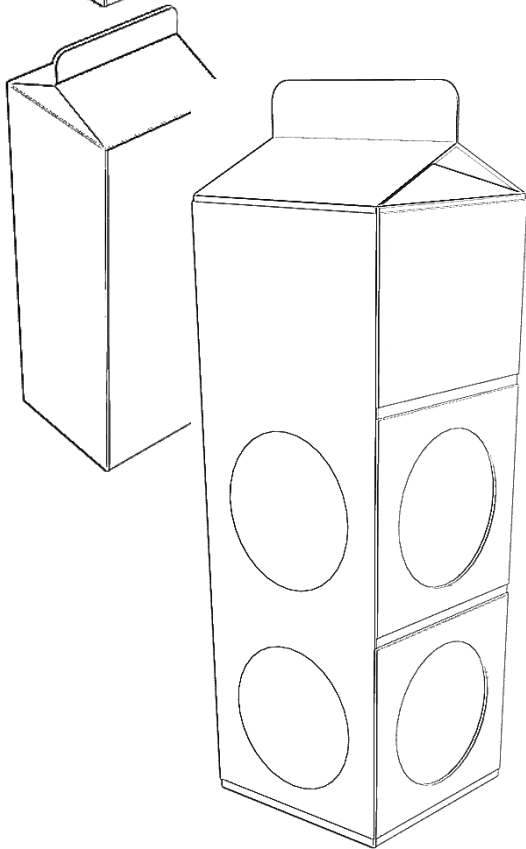
Making parts using stencil

Print the required stencil (see appendix). Stick it on thick paper. Cut along solid lines. Fold along the dotted lines. Align the opposite edges of the stencil. Glue them together with sticky tape.

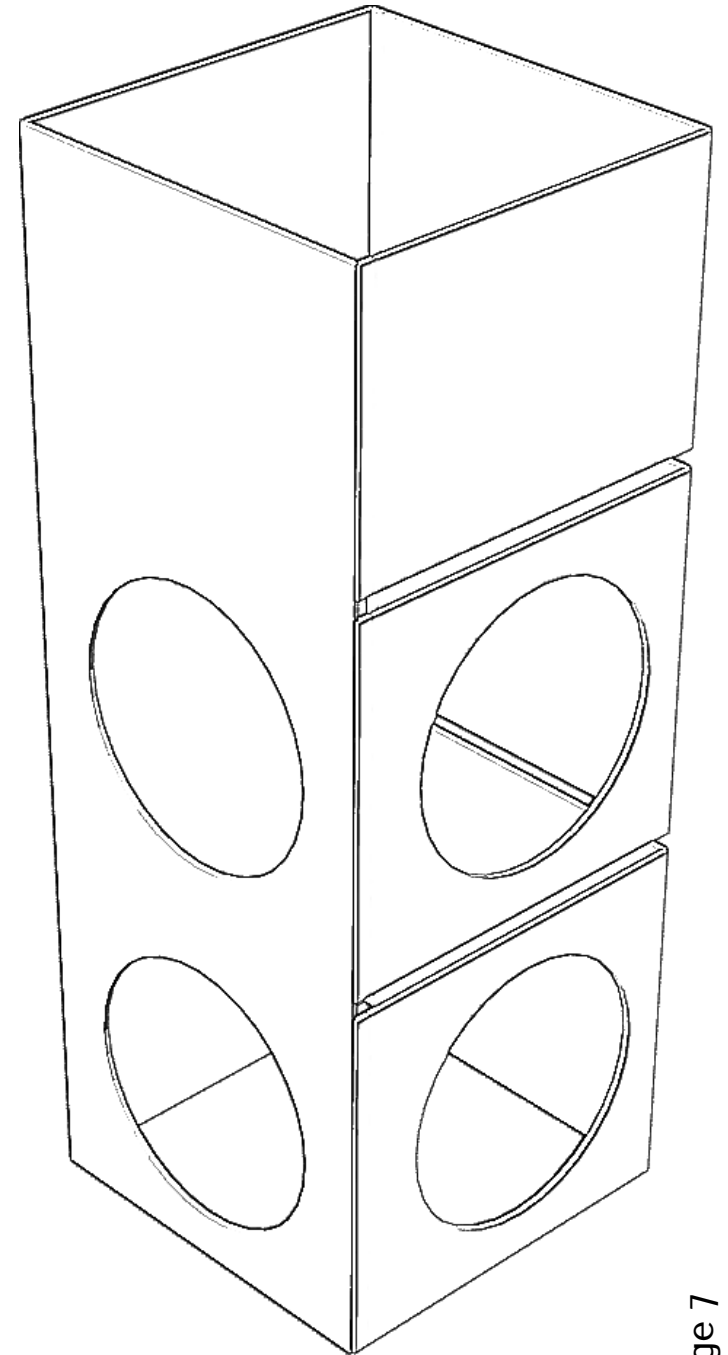




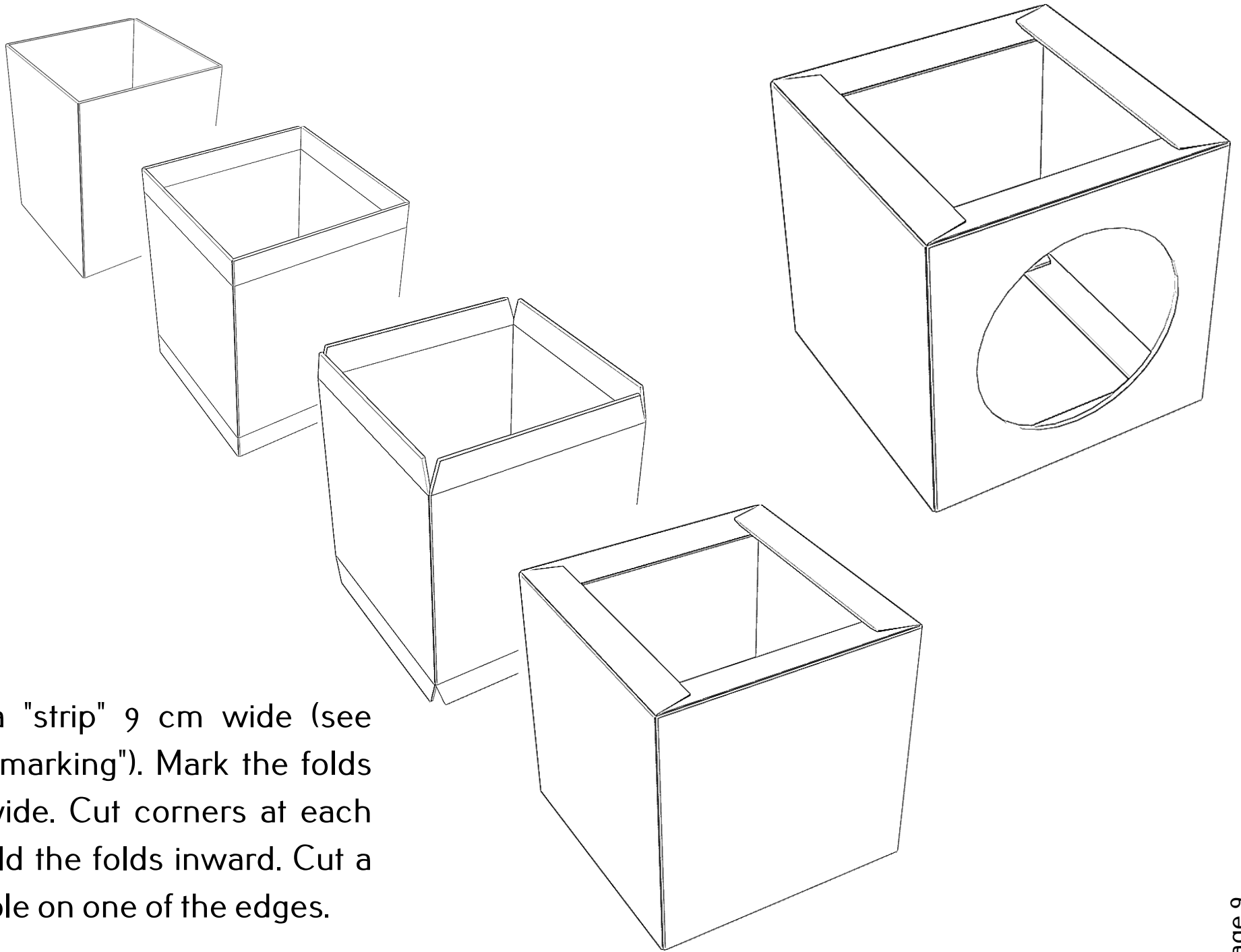
Slide the stencil over the package. Contour the stencil. Remove the stencil. Cut the part along the marked lines.



This method is suitable for making parts A, D, F, G, H and I.



Making parts

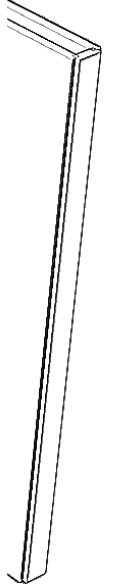
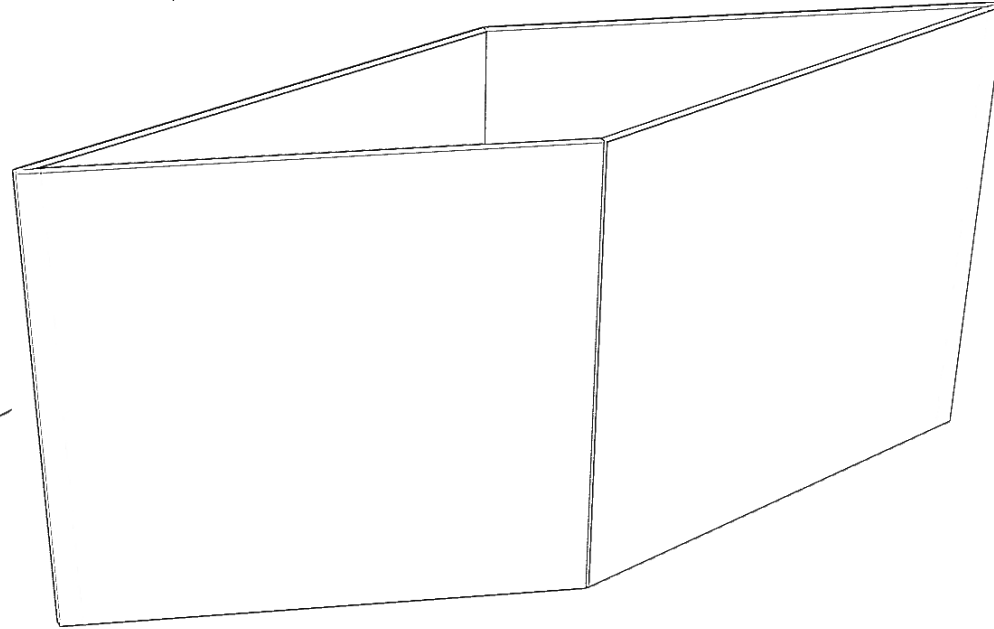
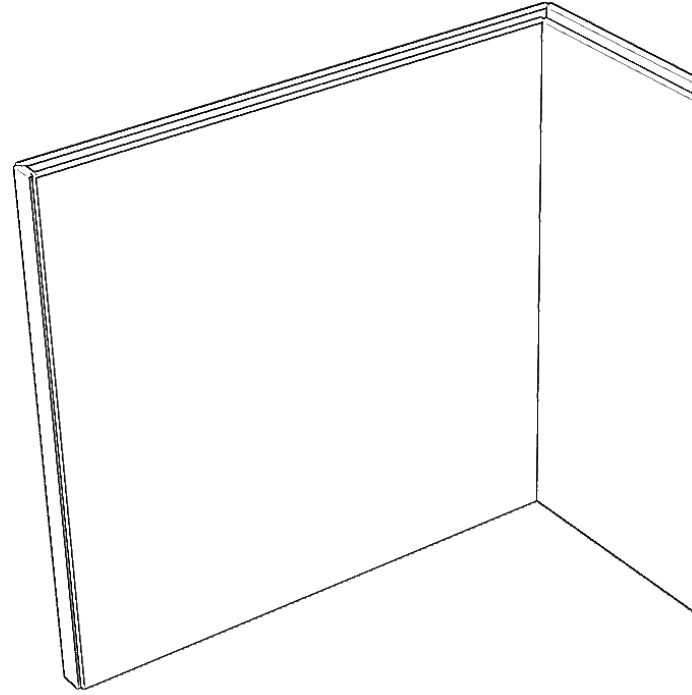
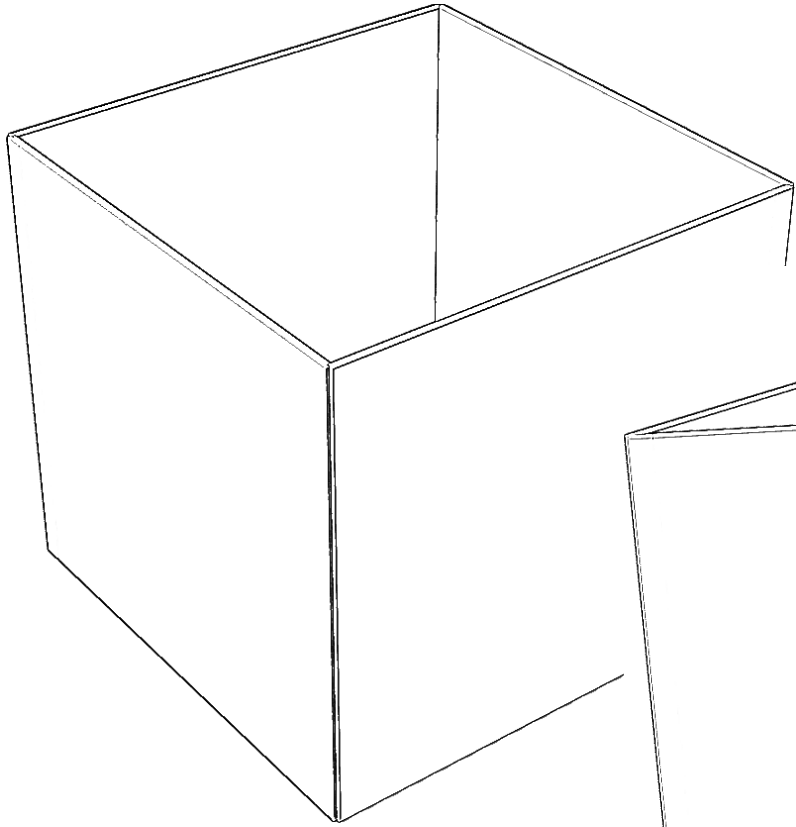


Part E

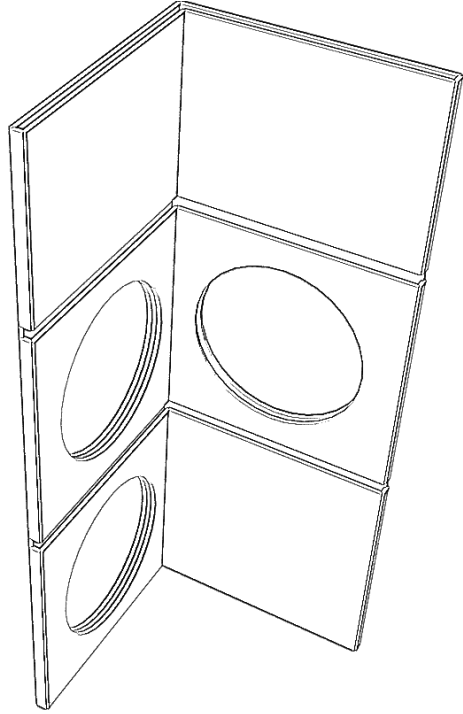
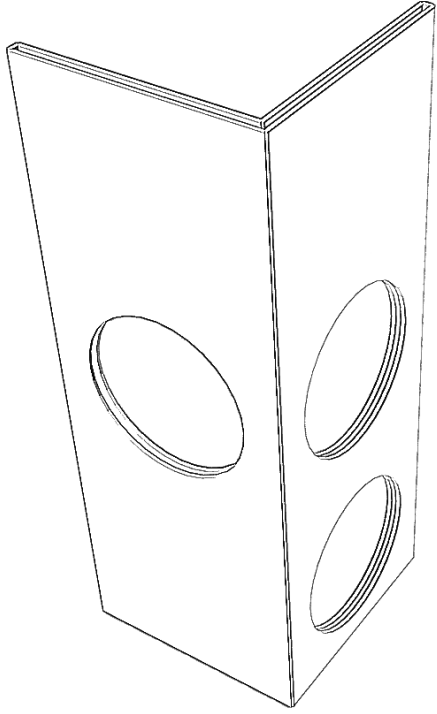
Make a "strip" 9 cm wide (see "Direct marking"). Mark the folds 1 cm wide. Cut corners at each fold. Fold the folds inward. Cut a 5 cm hole on one of the edges.

Part B and C

Make the "strip" of the required width. Part B is 7 cm wide and part C is 5.5 cm wide (see "Direct Marking"). Fold it in a flat shape. Then bend it at a right angle.



NOTE: An idealized view is shown in the figure. In fact, the inner surface will be curved. There is no need to strive for an idealized version.



NOTE:

An idealized view is shown in the figure. In fact, the inner surface will be curved. There is no need to strive for an idealized version.

Part A

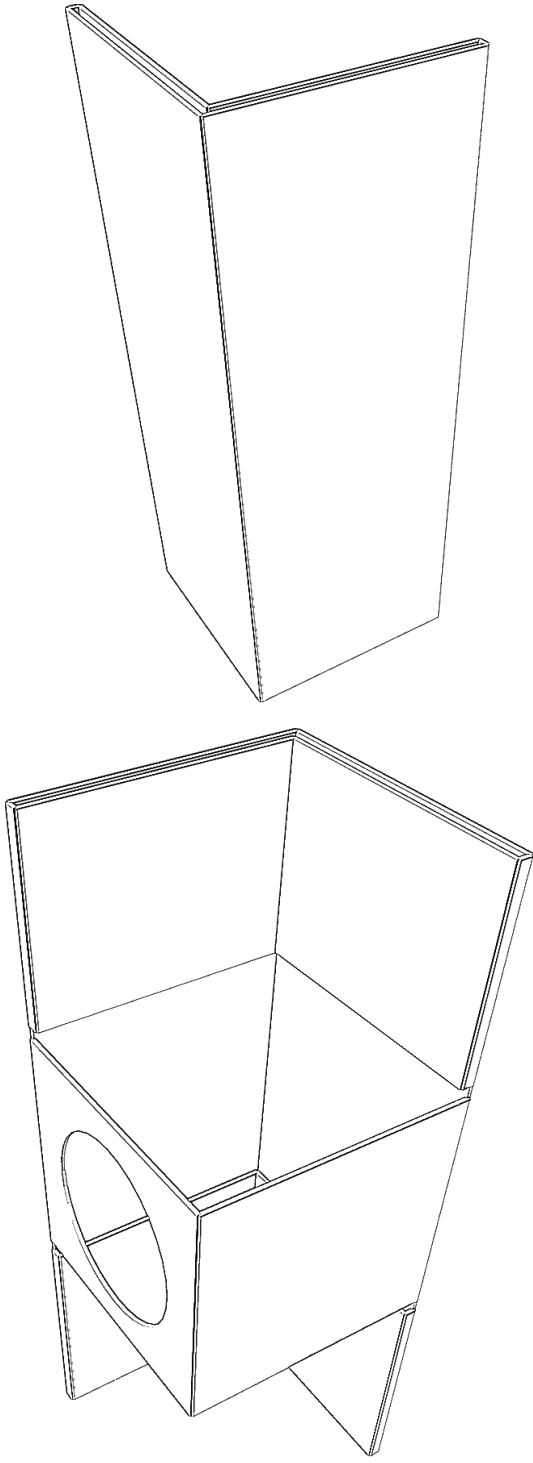
This part is made using a stencil (see "Marking parts using stencil"). The stencil does not contain all the required holes. They must be added additionally.

Part D

This part is made using a stencil (see "Marking parts using stencil"). Do not need to mark all holes, as only one is required (see picture).

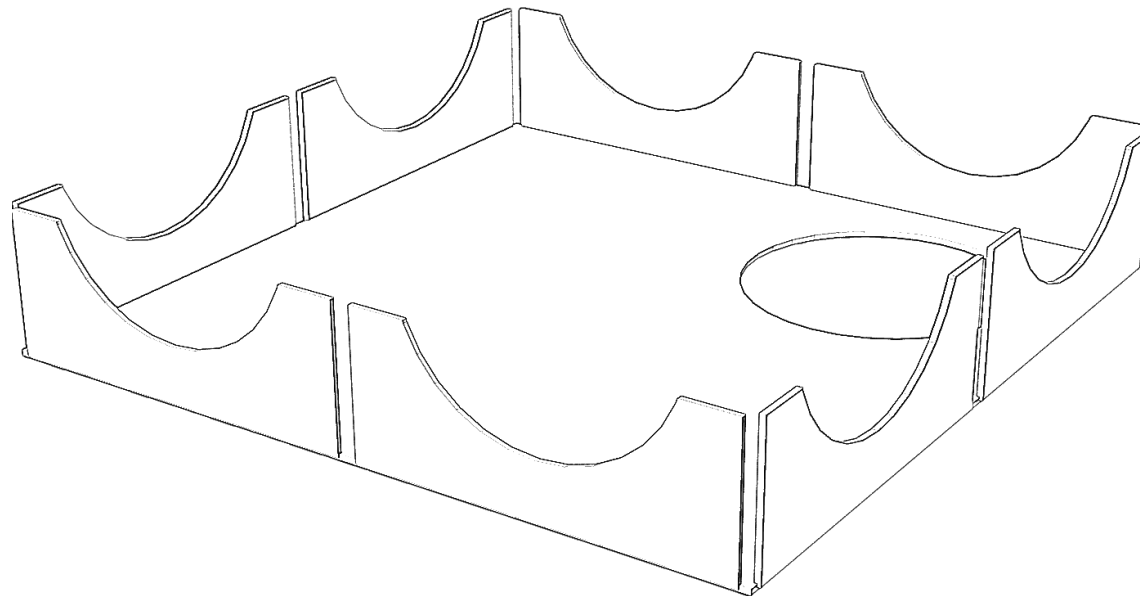
NOTE:

An idealized view is shown in the figure. In fact, the inner surface will be curved. There is no need to strive for an idealized version.

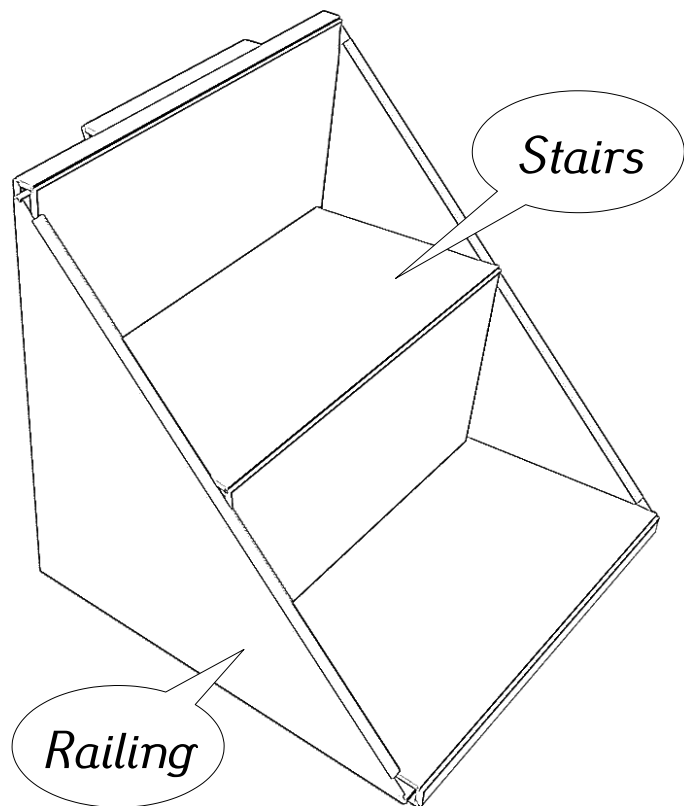


Part G

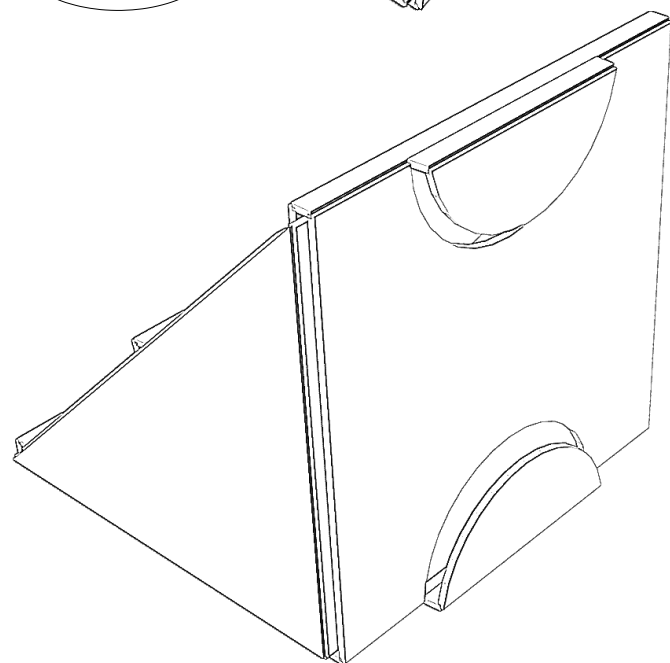
This part is made using a stencil (see "Marking parts using stencil"). Parts F and H differ from G only in the presence of holes. No need to make holes in part H. The hole in part F is optional.



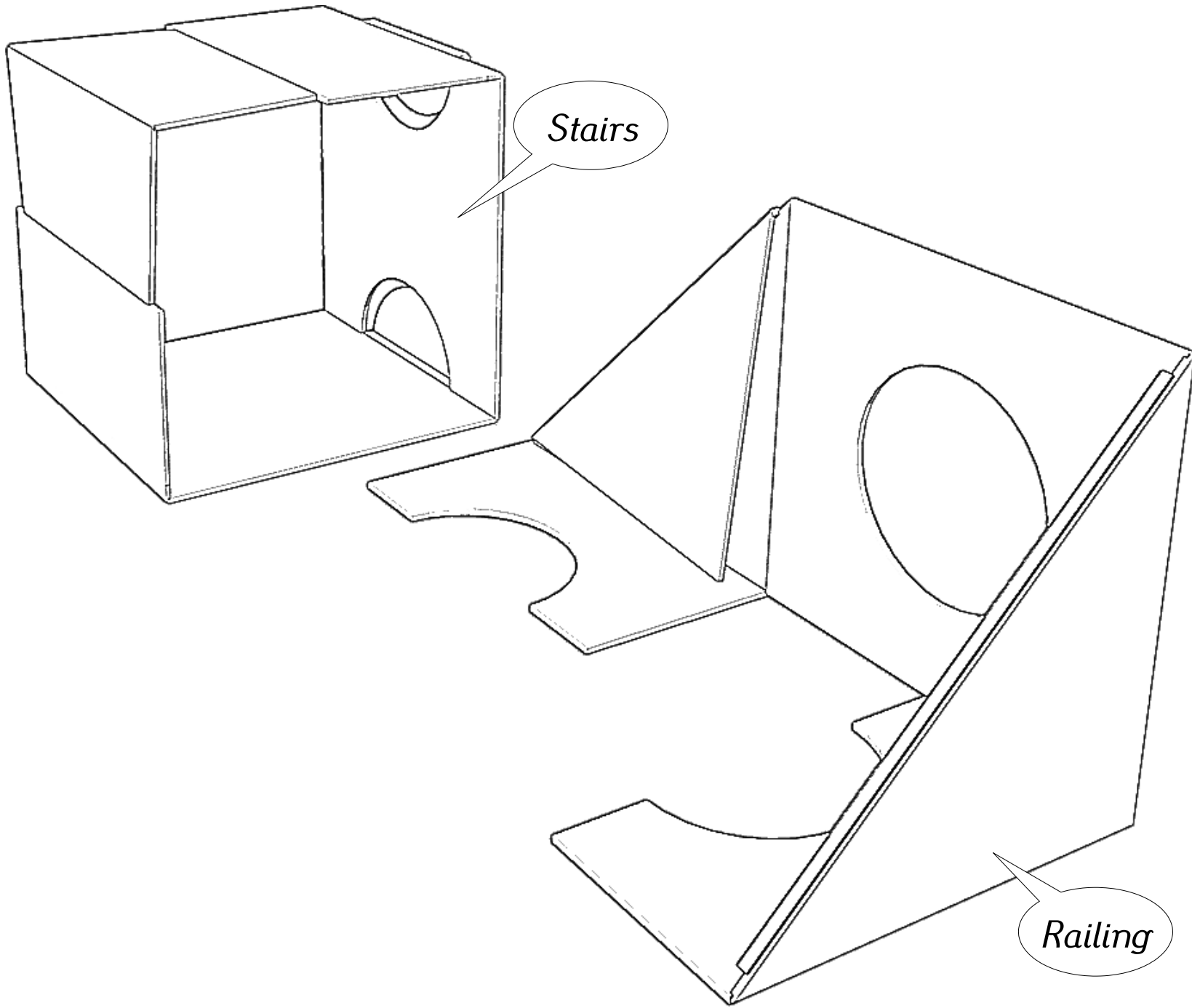
Part I



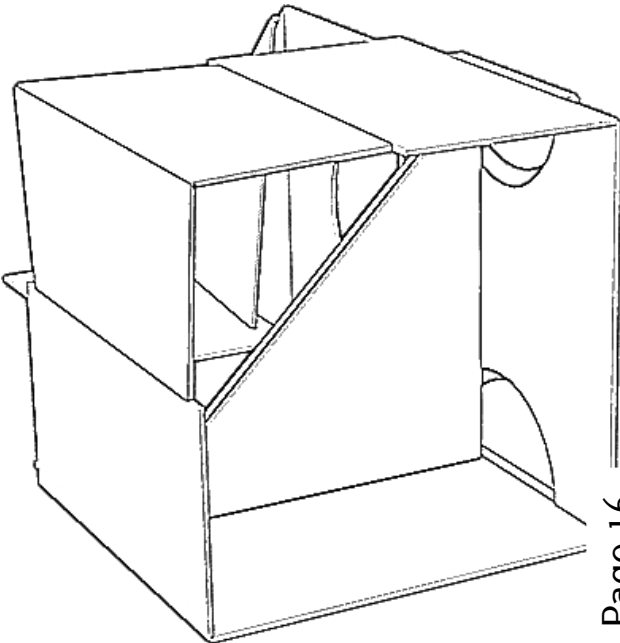
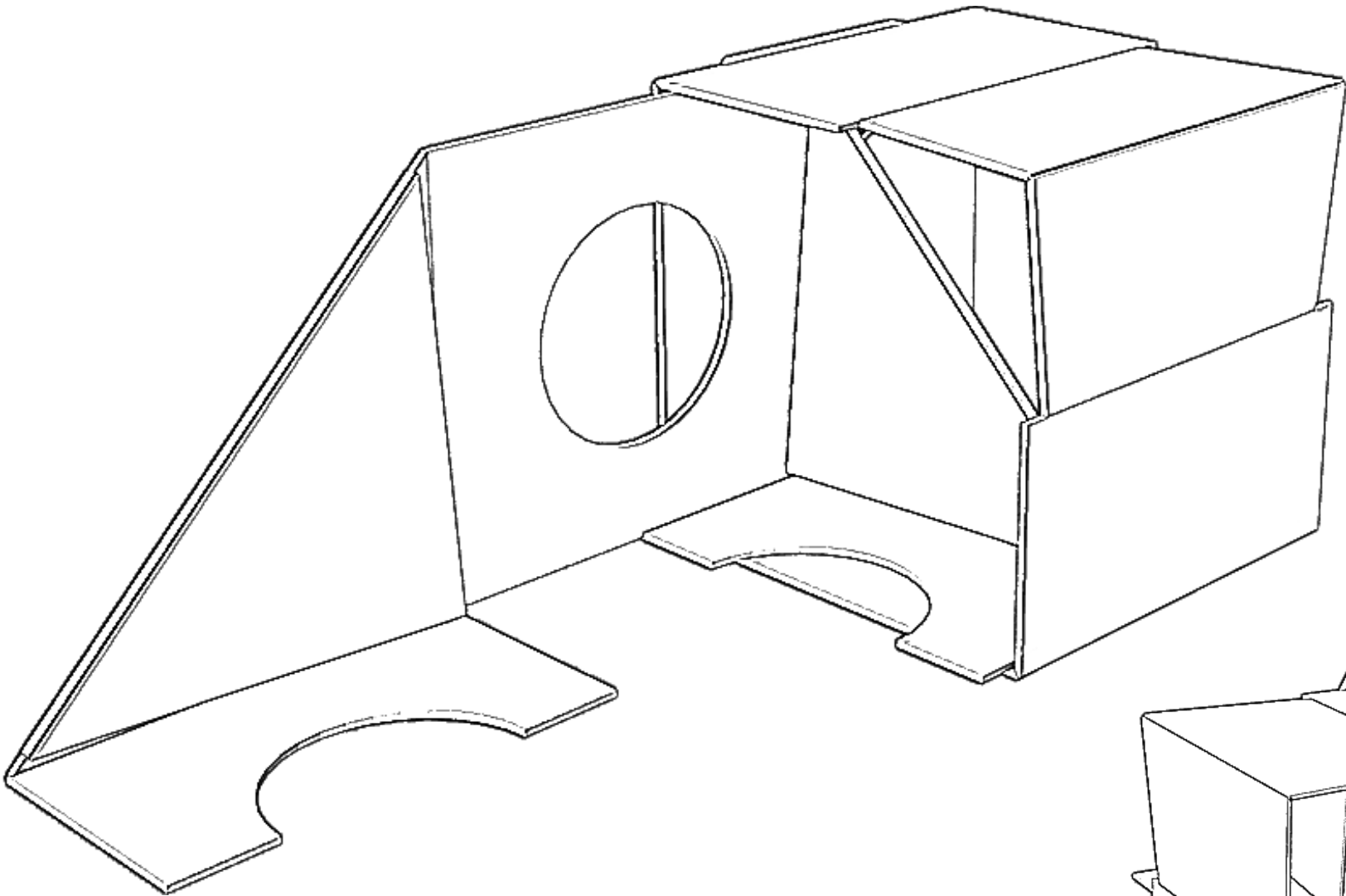
This part consists of two parts: stairs and railing. There are stencils for these two parts. The step-by-step assembly instructions for this part are given below.



Part I

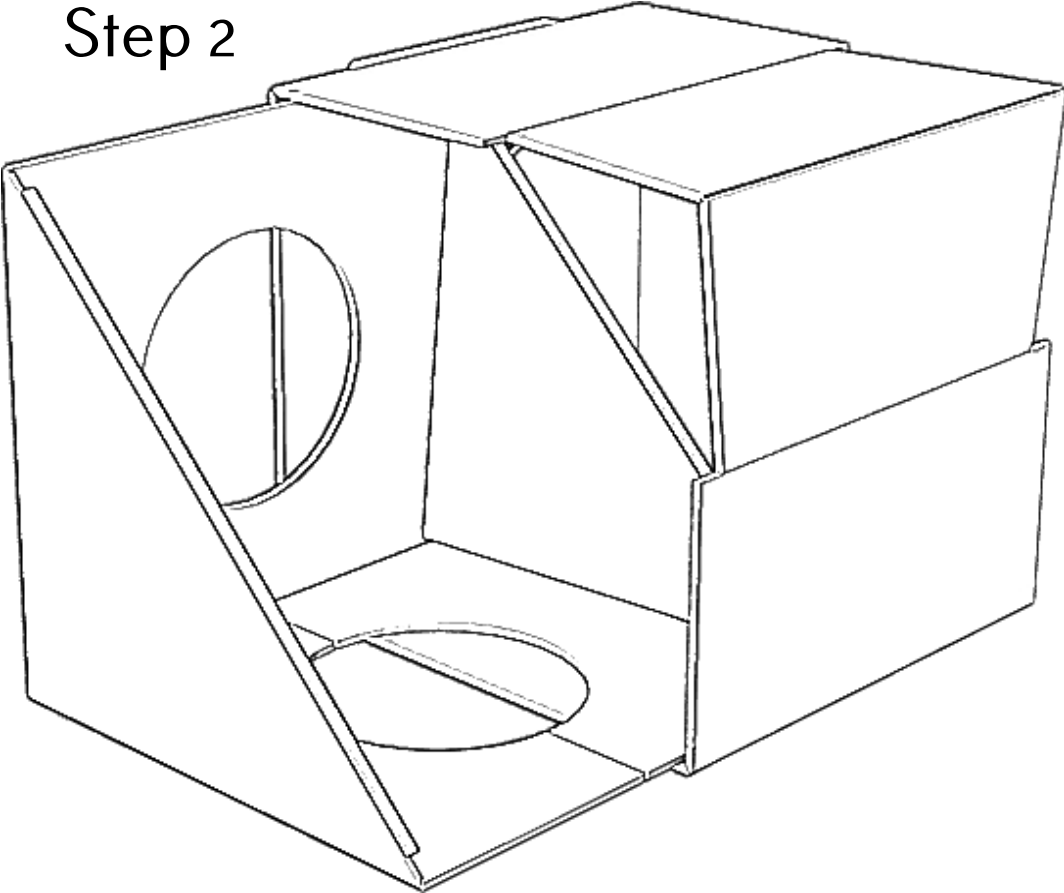


Step 1

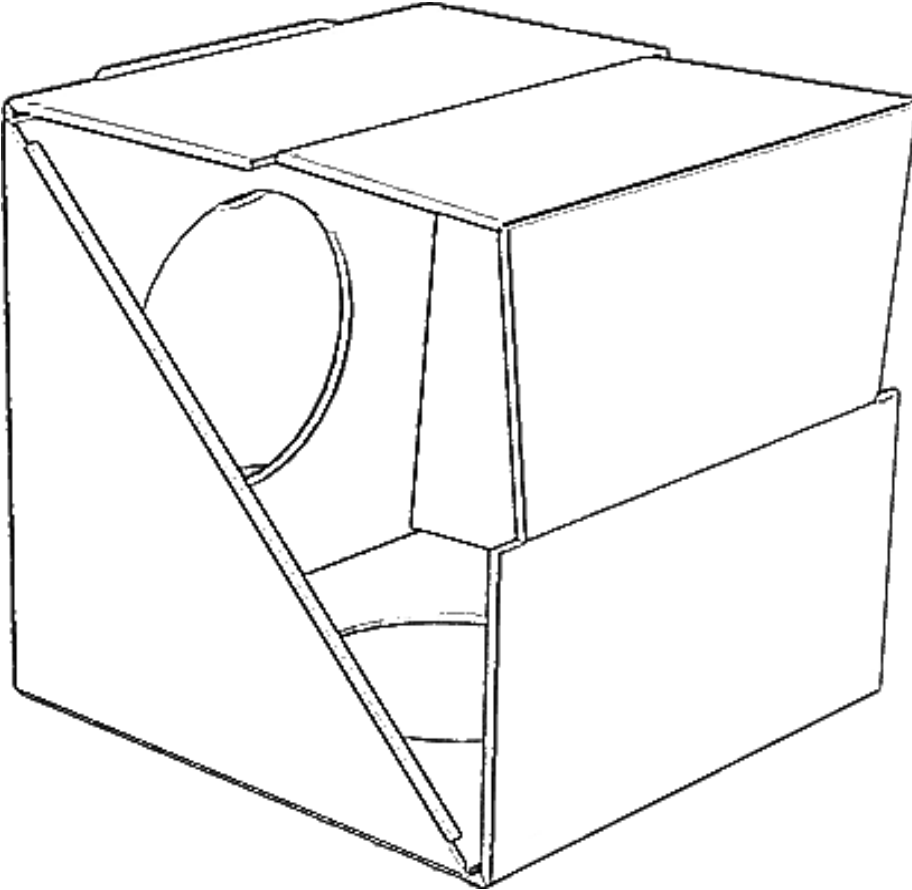


Part I

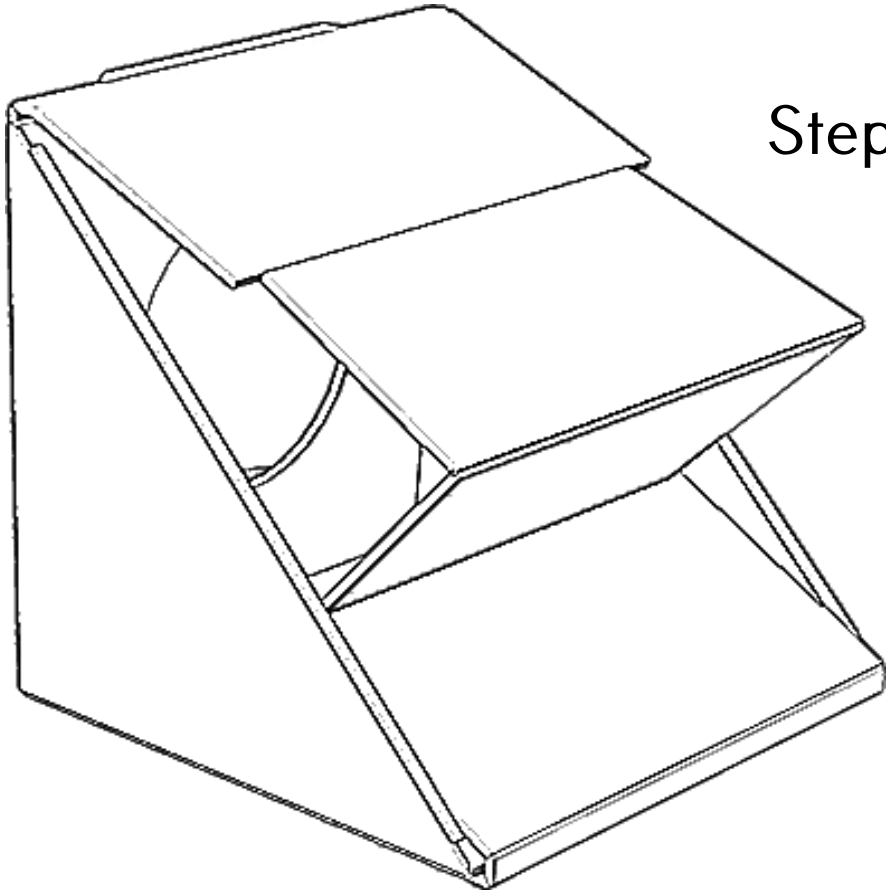
Step 2



Step 3

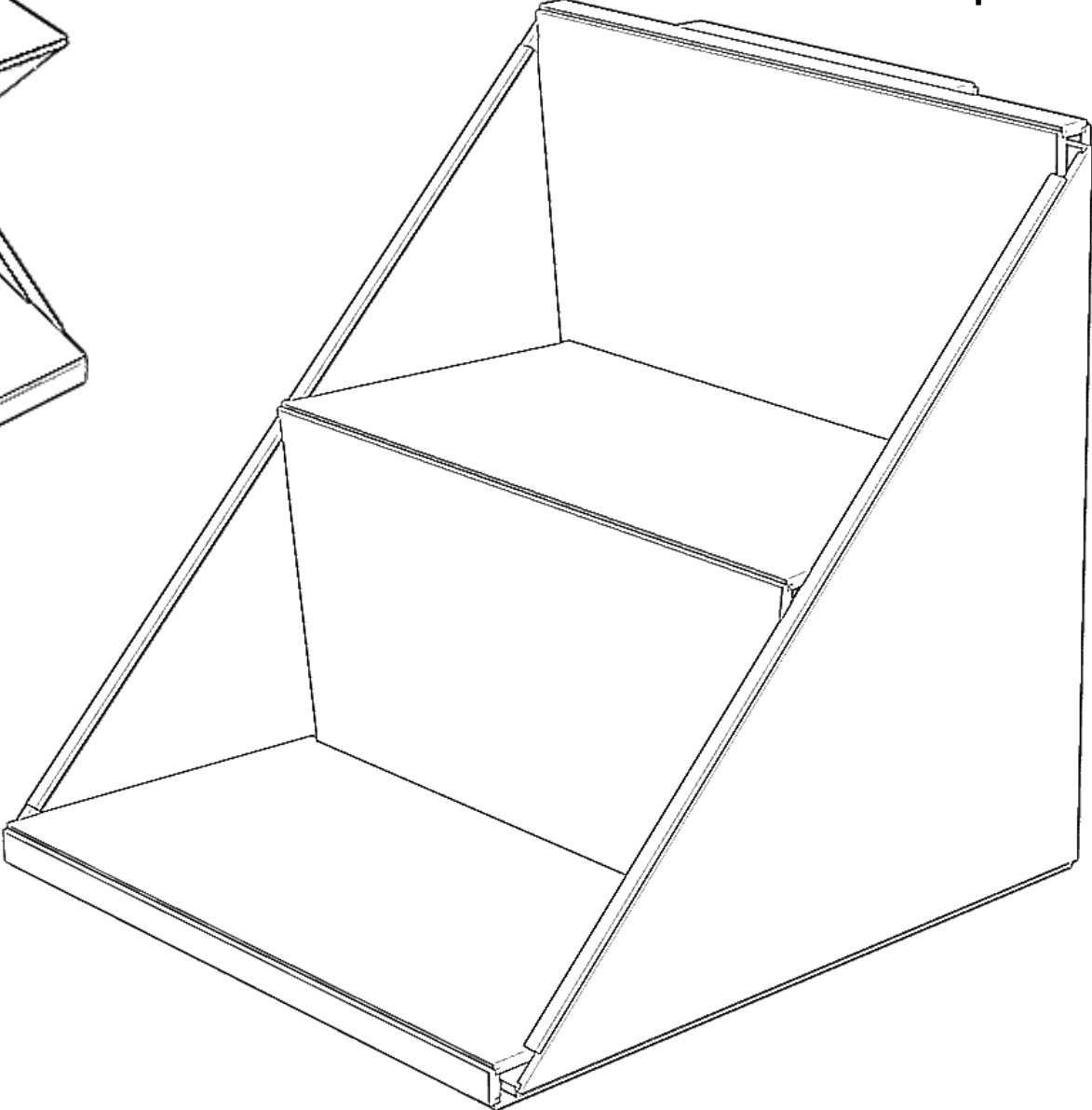


Part I



Step 4

Completed



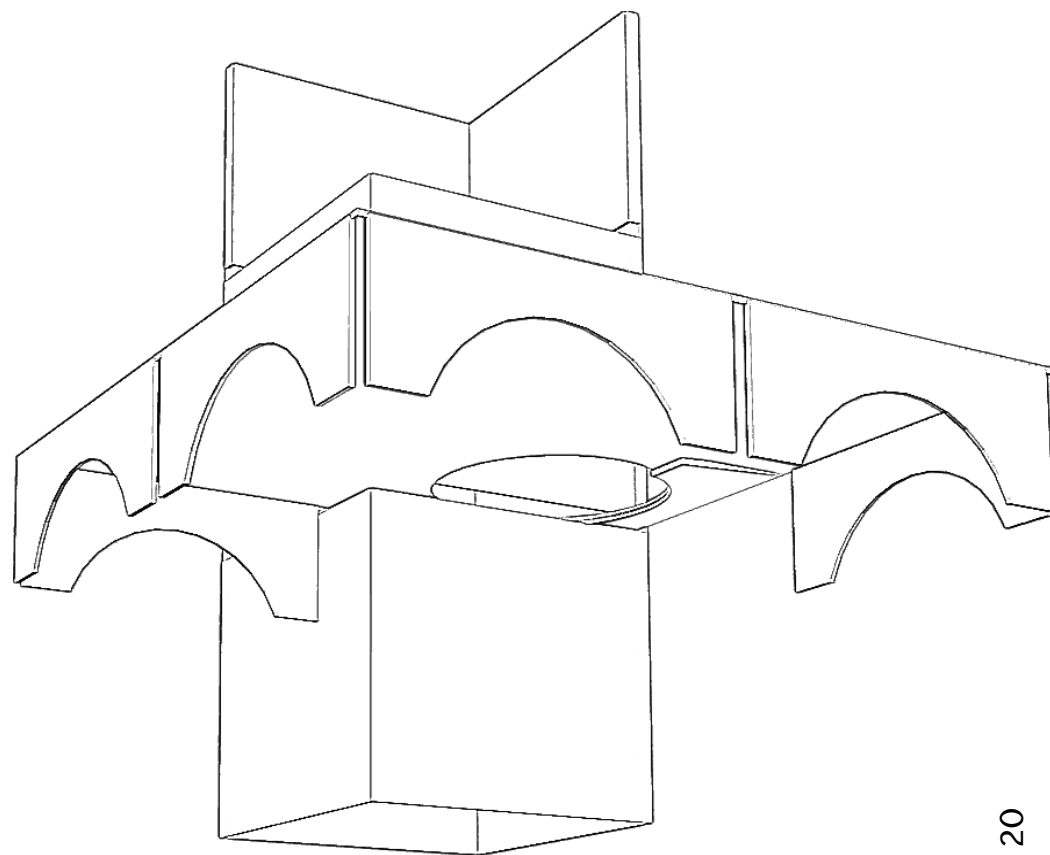
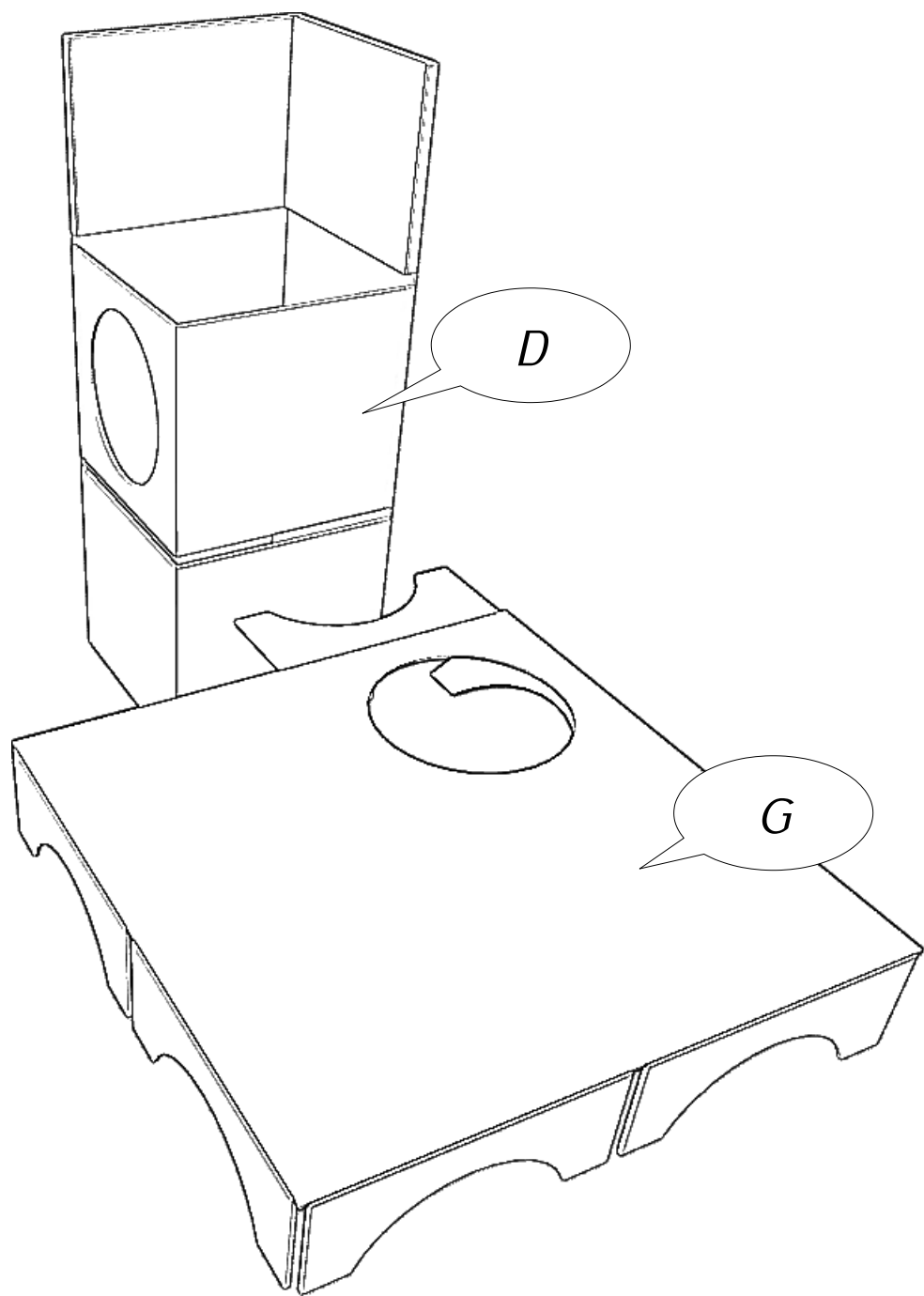
Part I

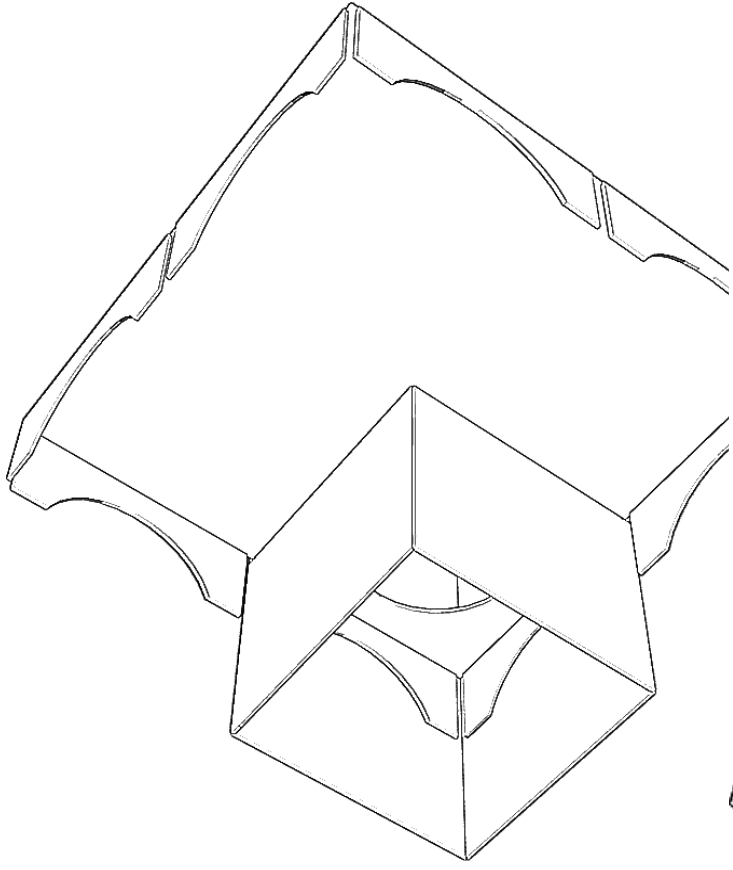
House assembly

Number of parts:

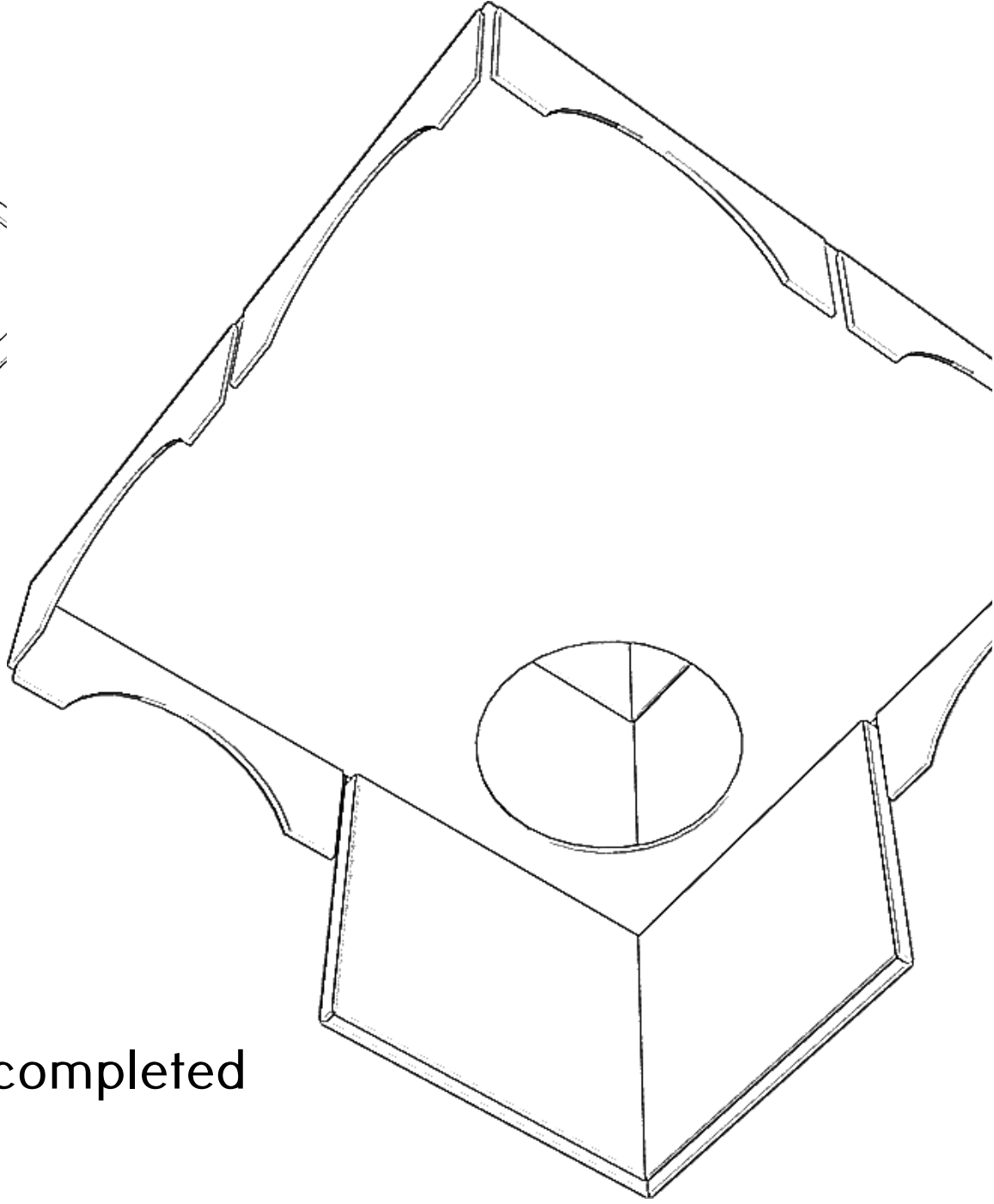
A.....	1
B.....	2
C.....	2
D.....	1
E.....	1
F.....	1
G.....	2
H.....	1
I.....	2

Step 1





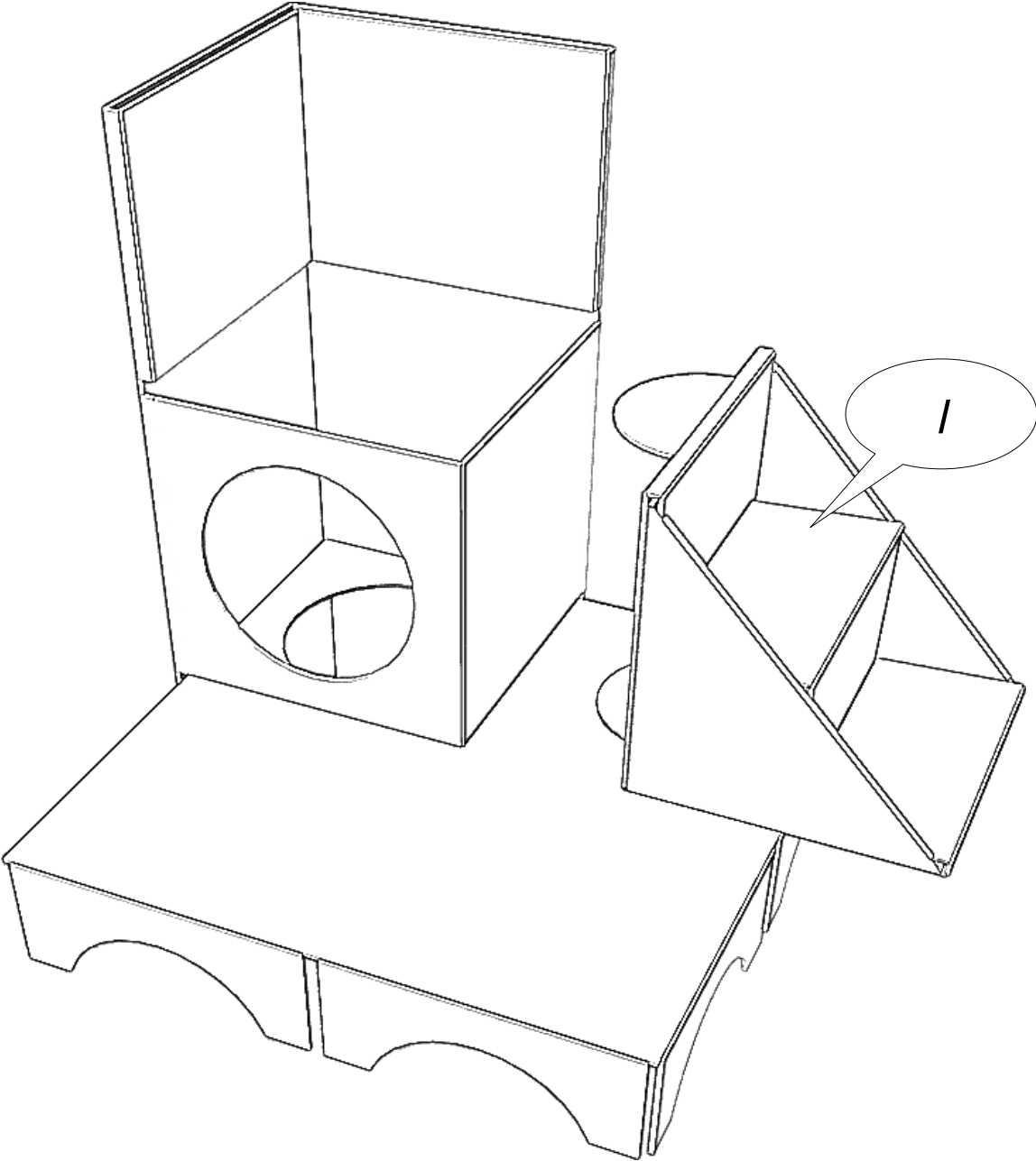
Step 1 completed

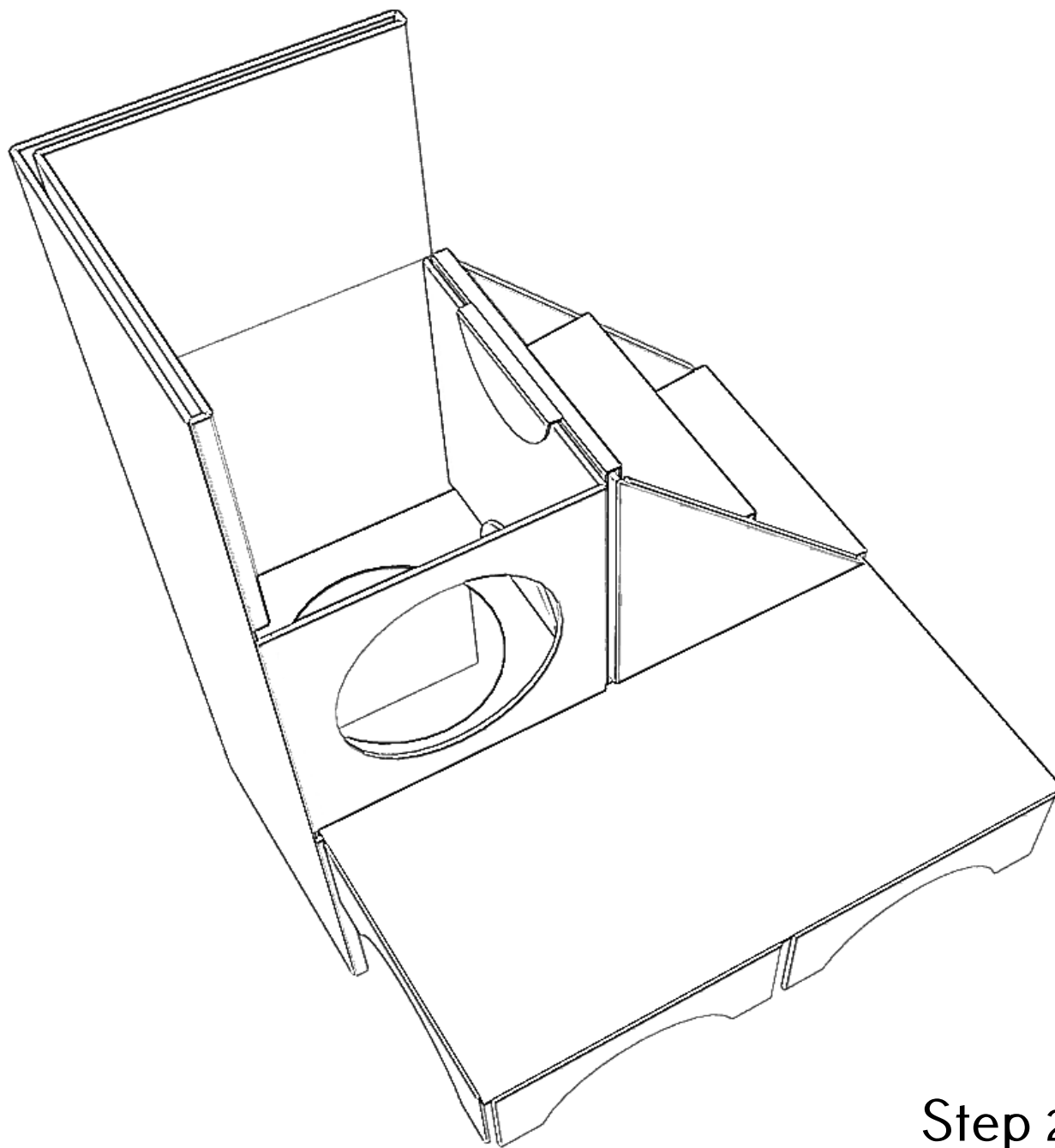


NOTE:

The inner surface of the part may wrinkle as a result of this action. Don't worry, it won't affect the look in any way.

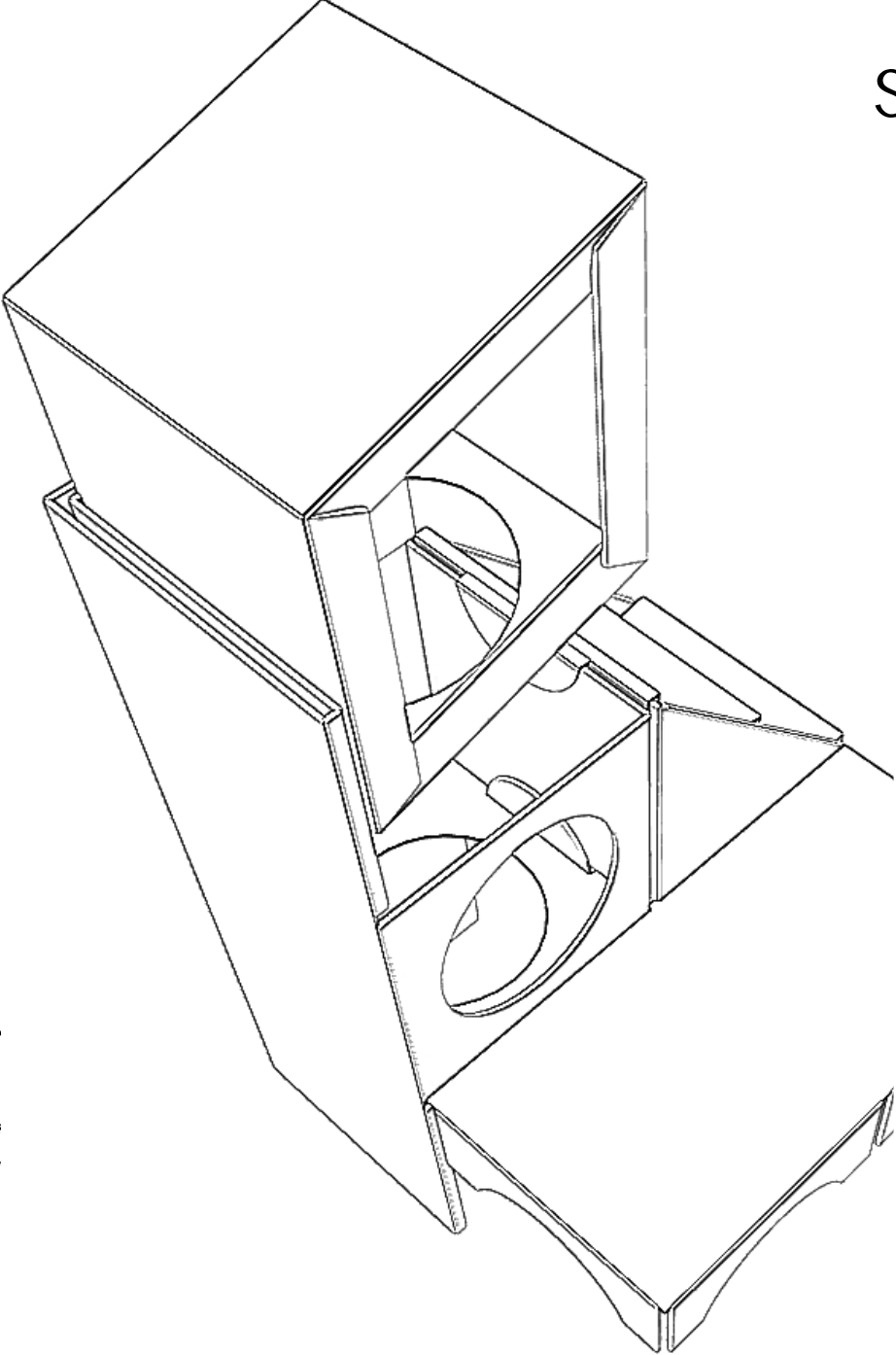
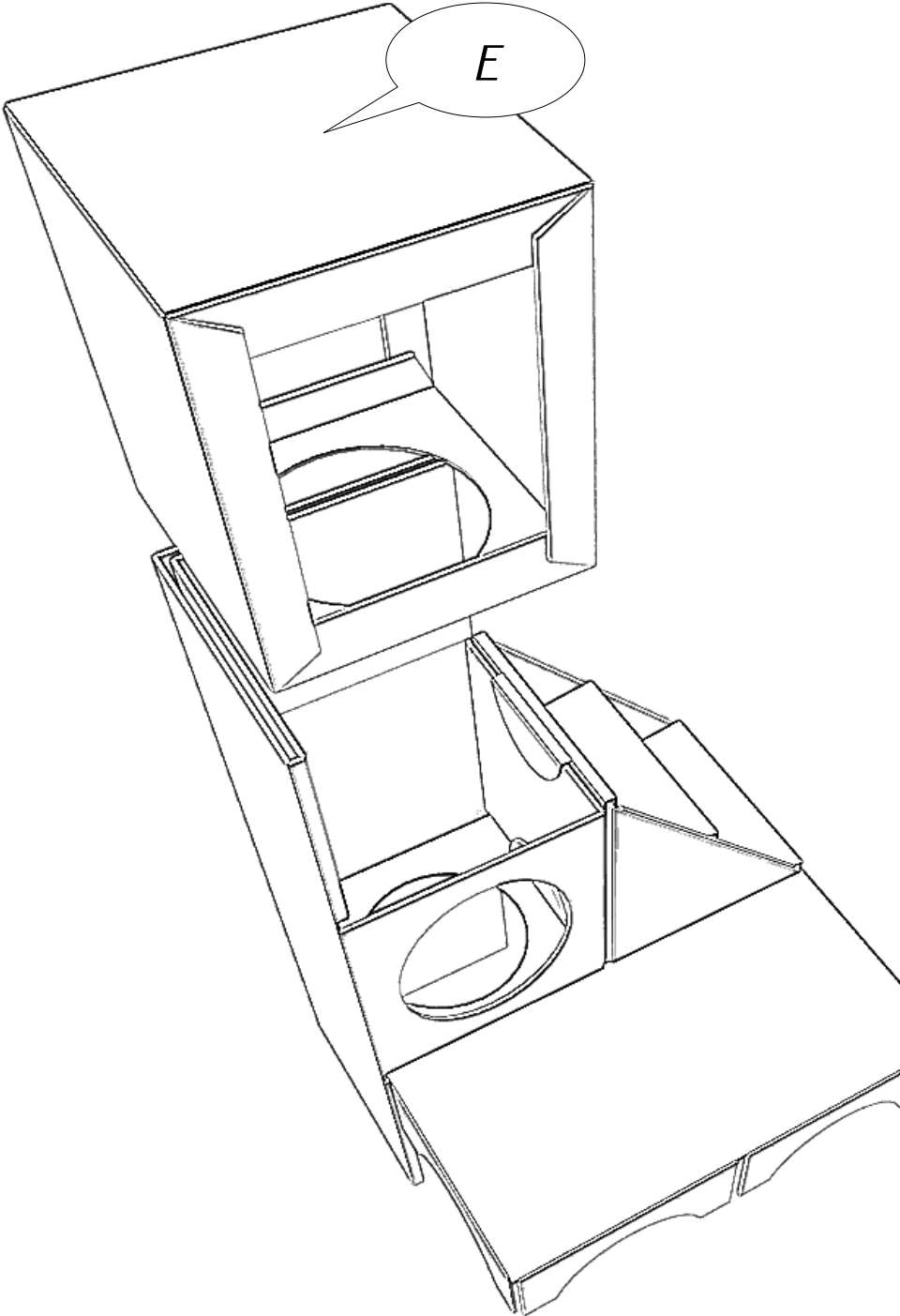
Step 2



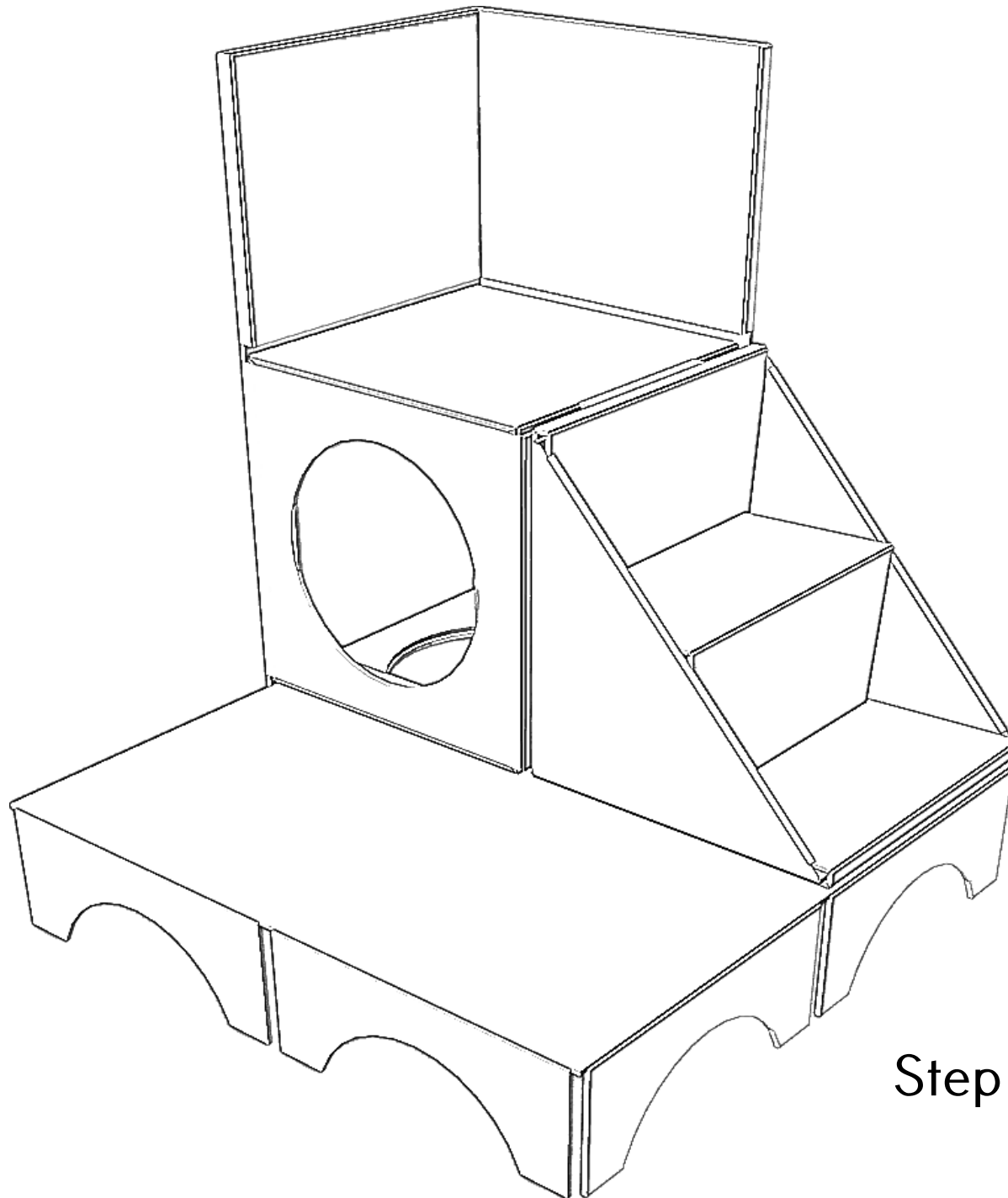


Step 2 completed

Step 3

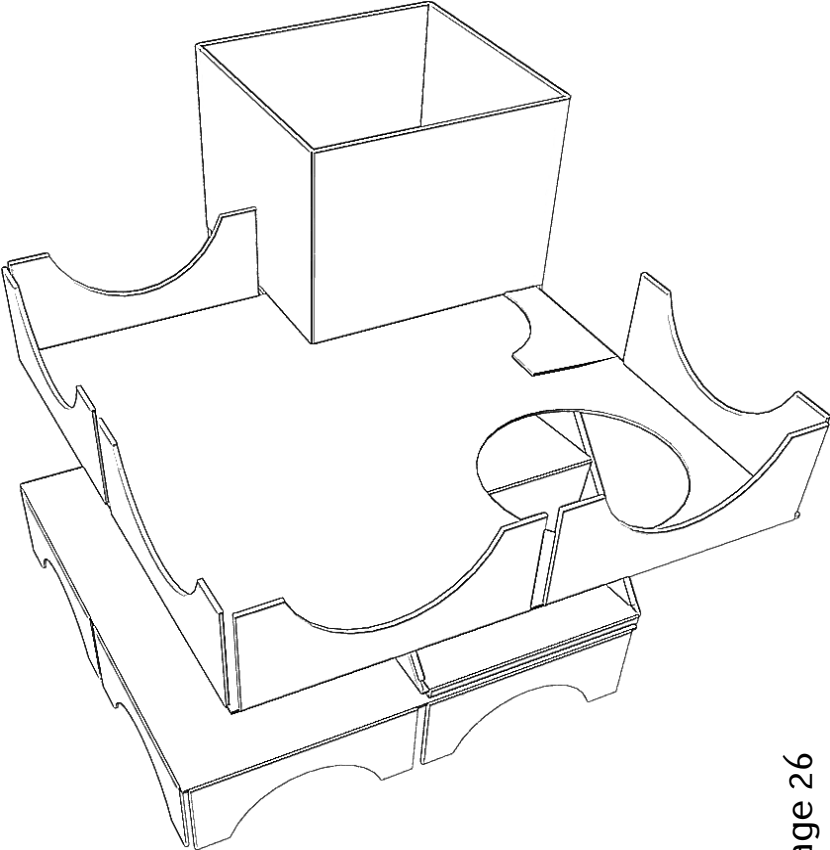
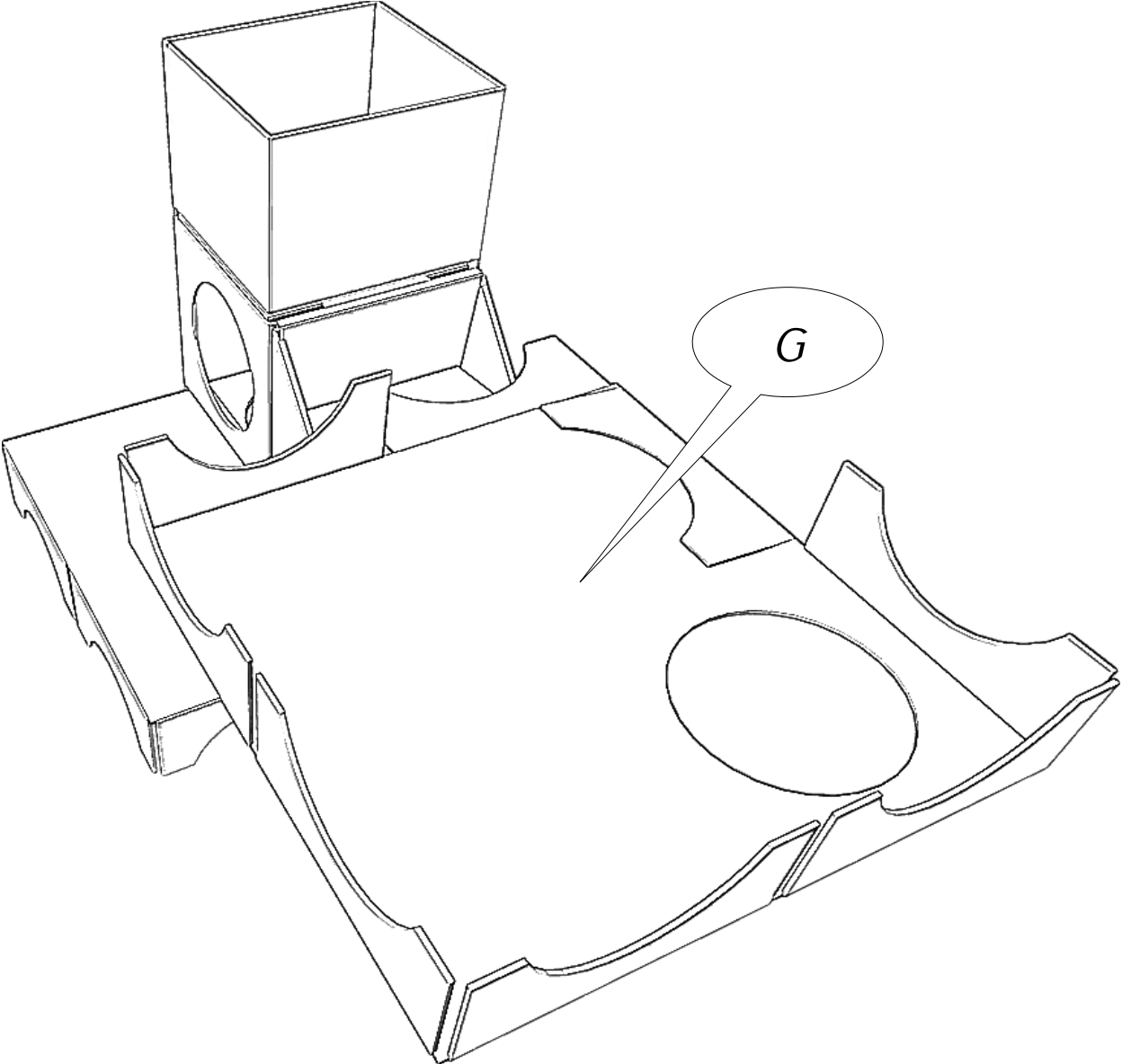


NOTE: Initially, part E should be diamond-shaped. Then, it must be aligned.



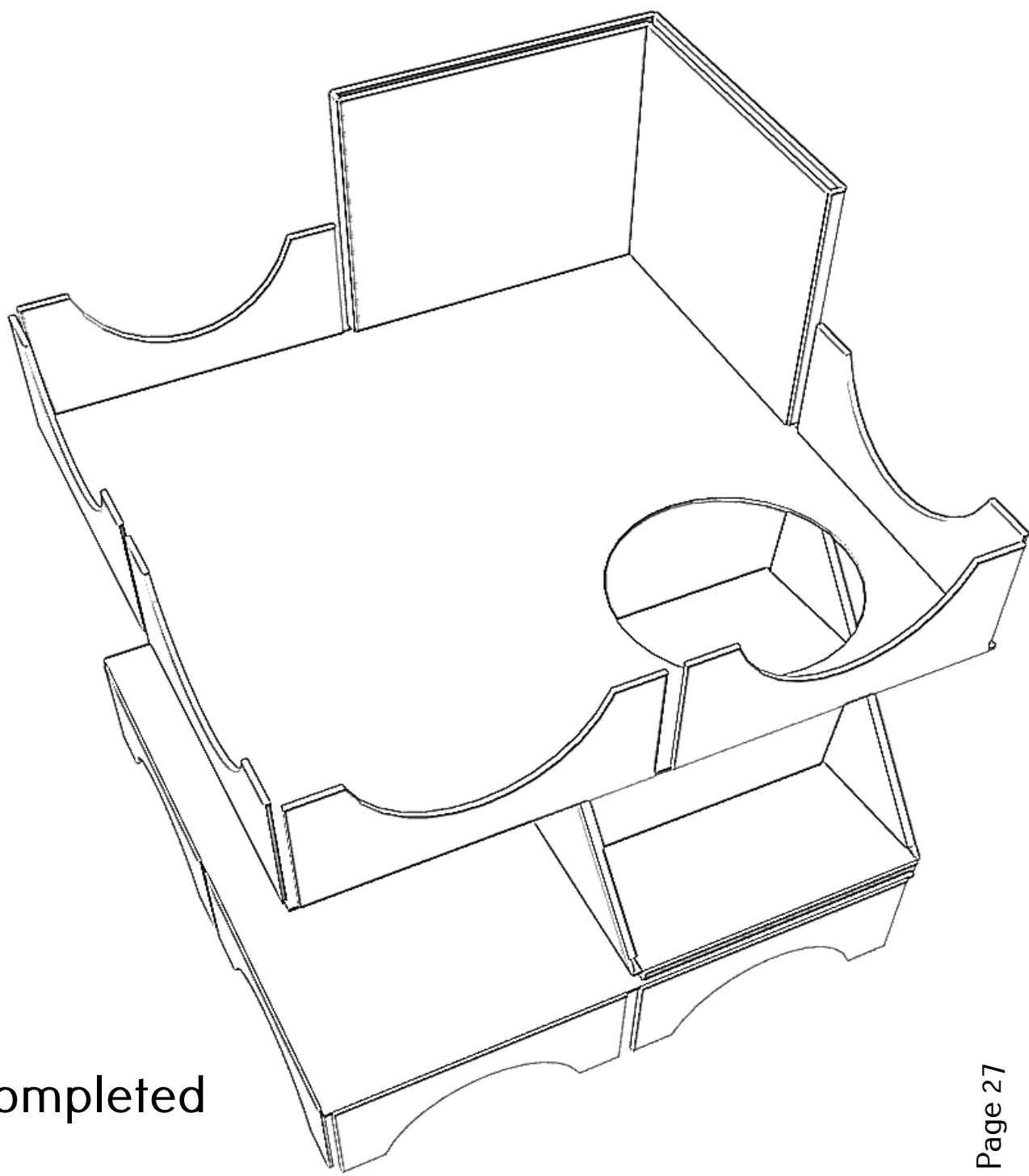
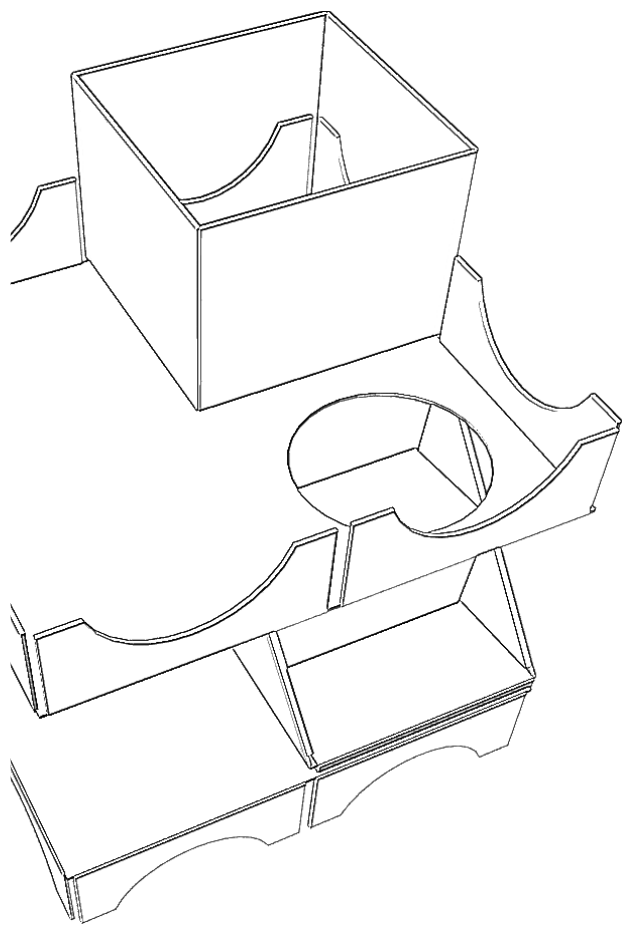
Step 3 completed

Step 4



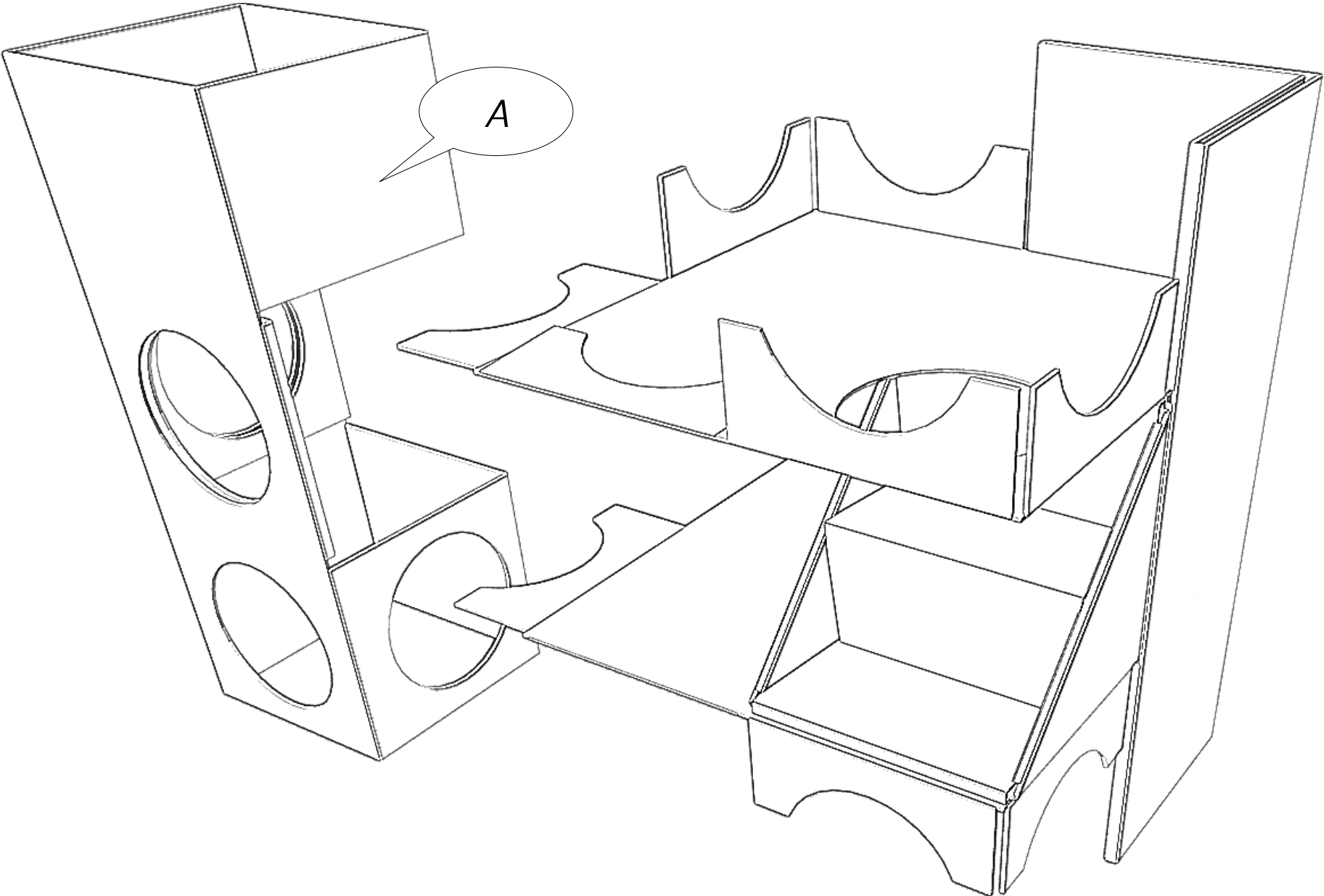
NOTE:

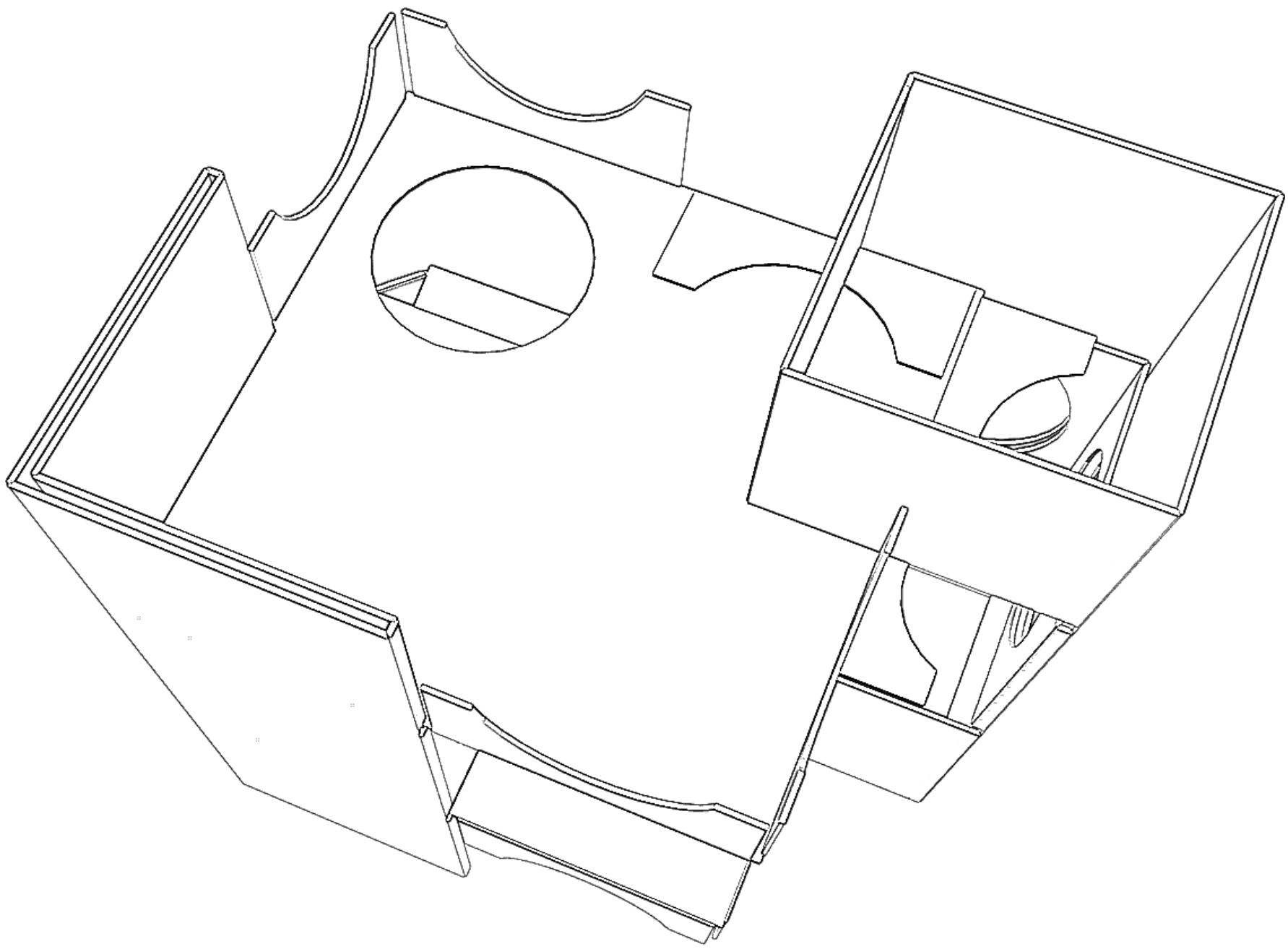
The inner surface of the part may wrinkle as a result of this action. Don't worry, it won't affect the look in any way.



Step 4 completed

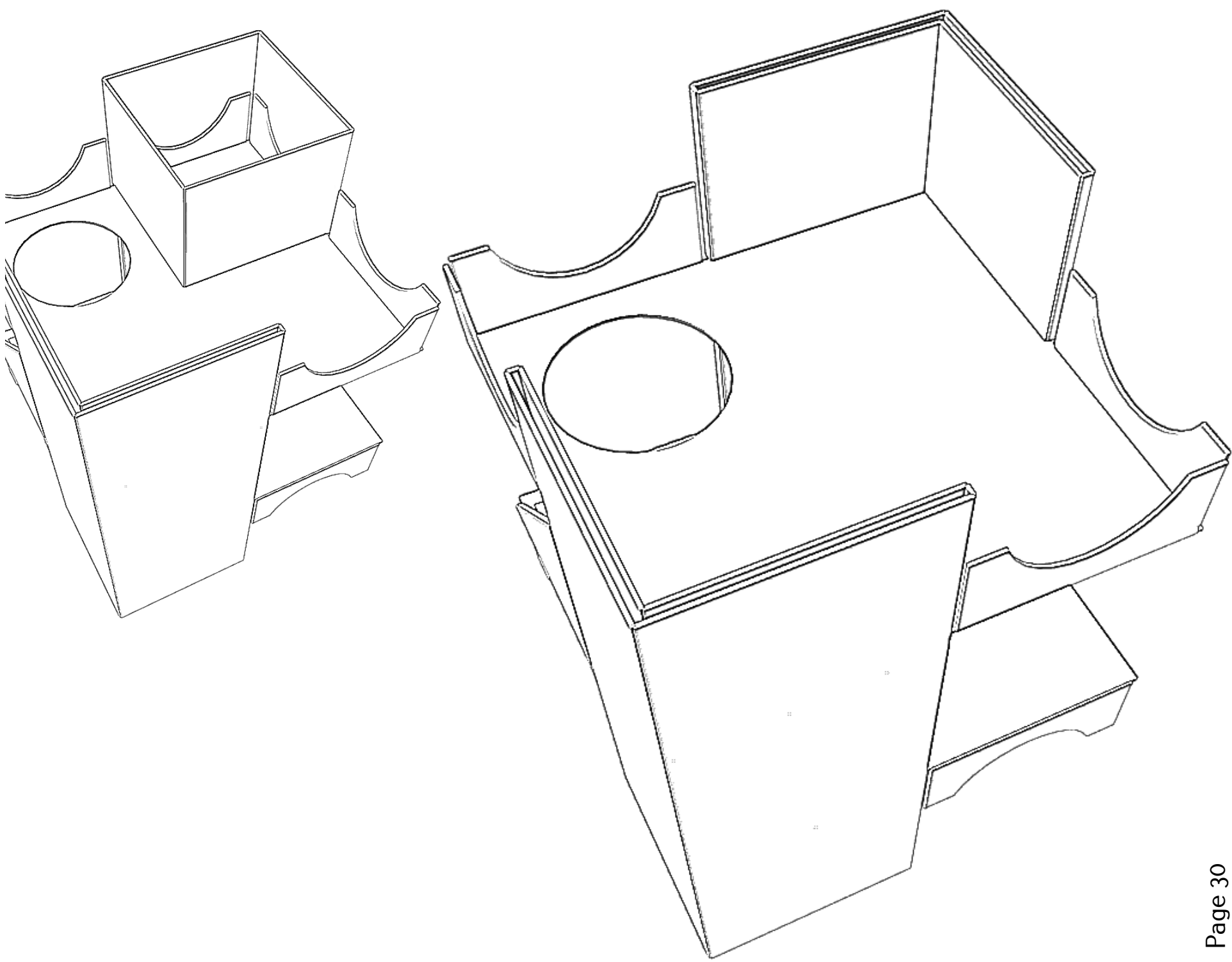
Step 5

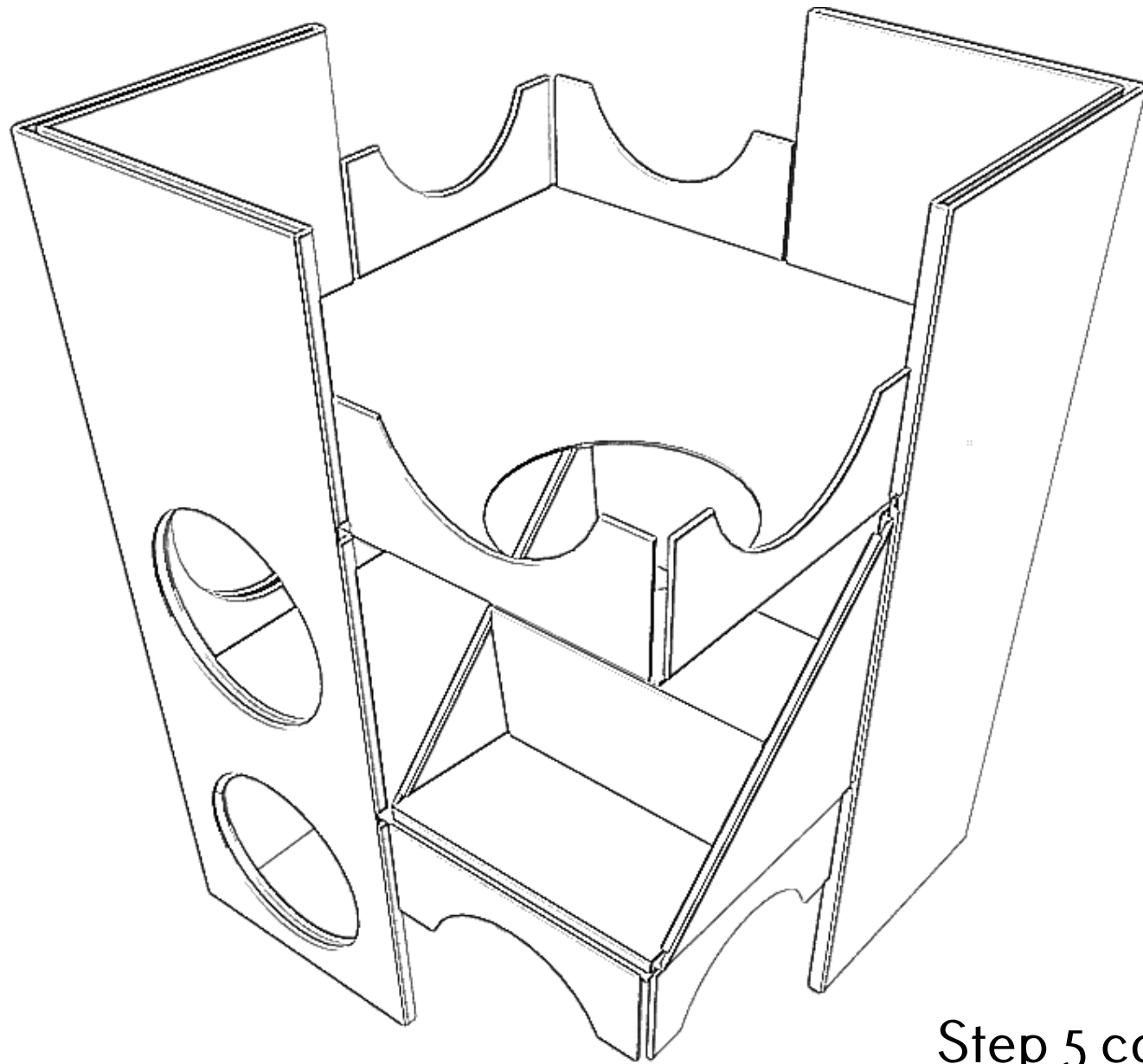




NOTE:

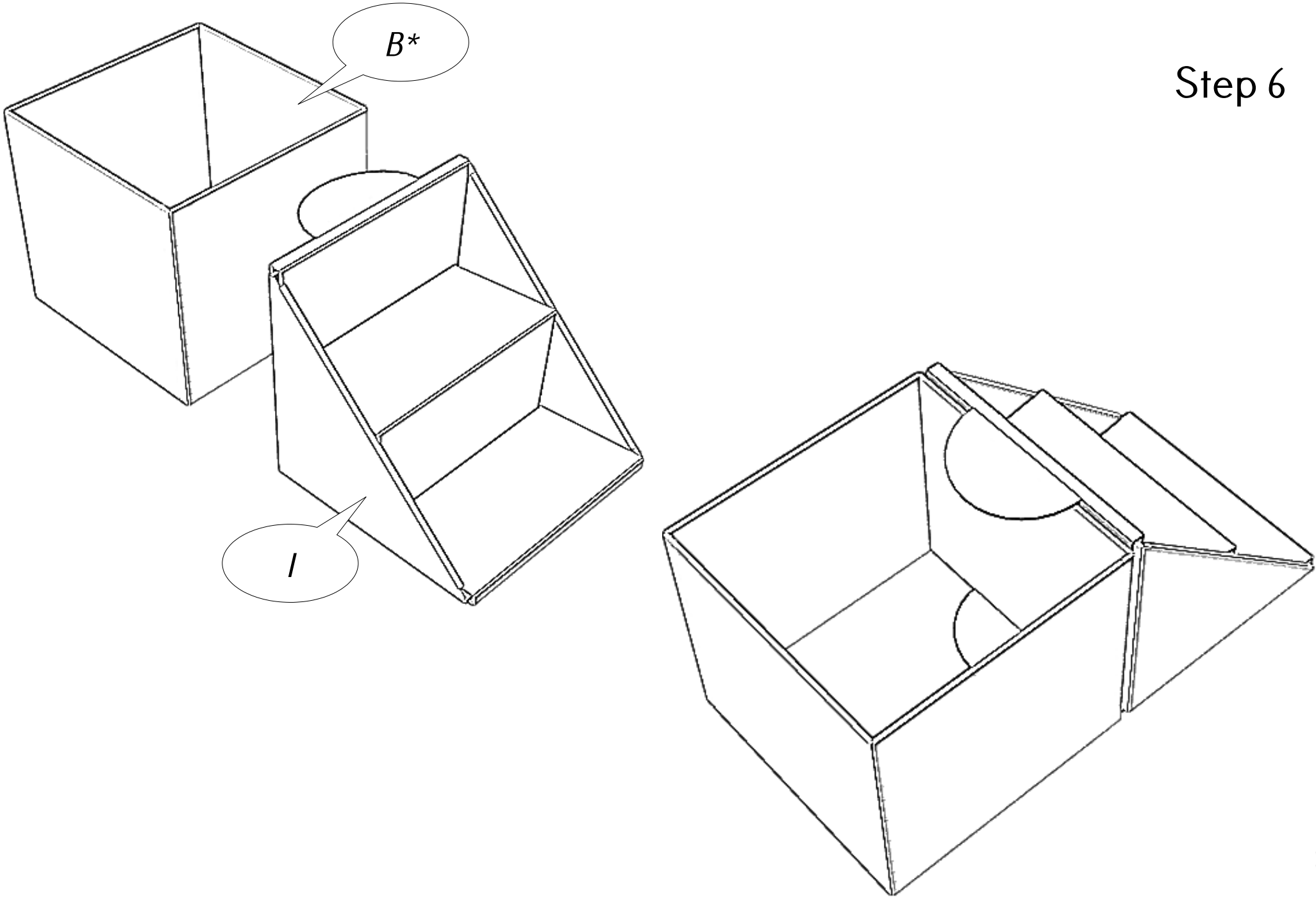
The inner surface of the part may wrinkle as a result of this action. Don't worry, it won't affect the look in any way.

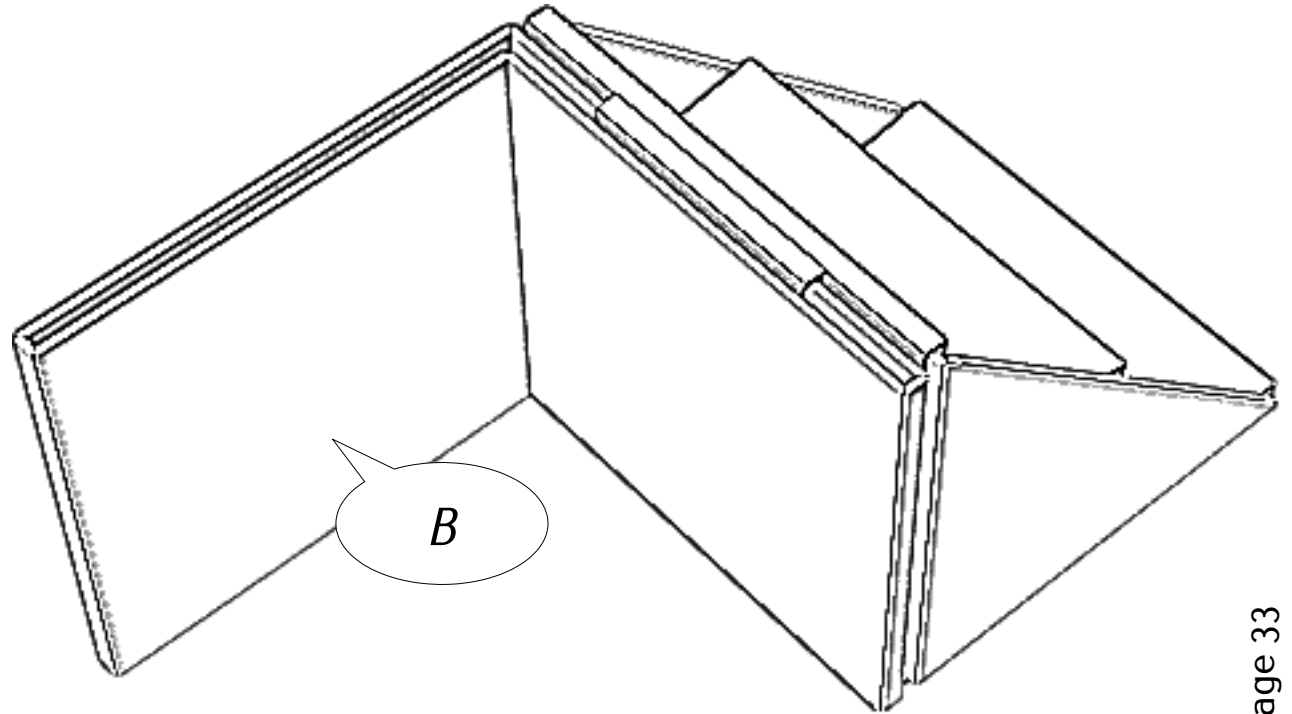
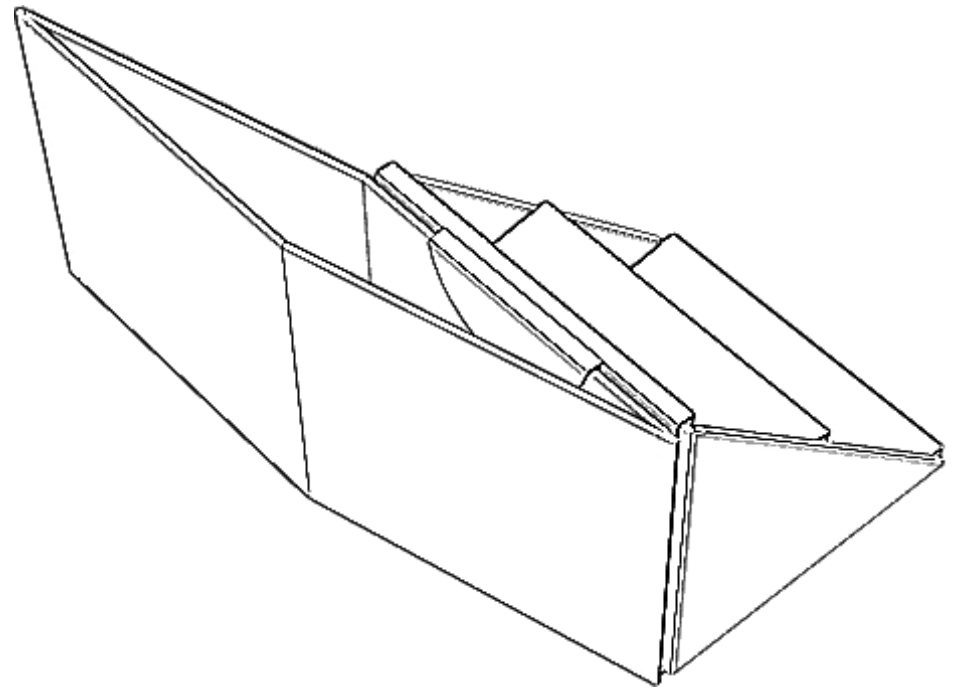
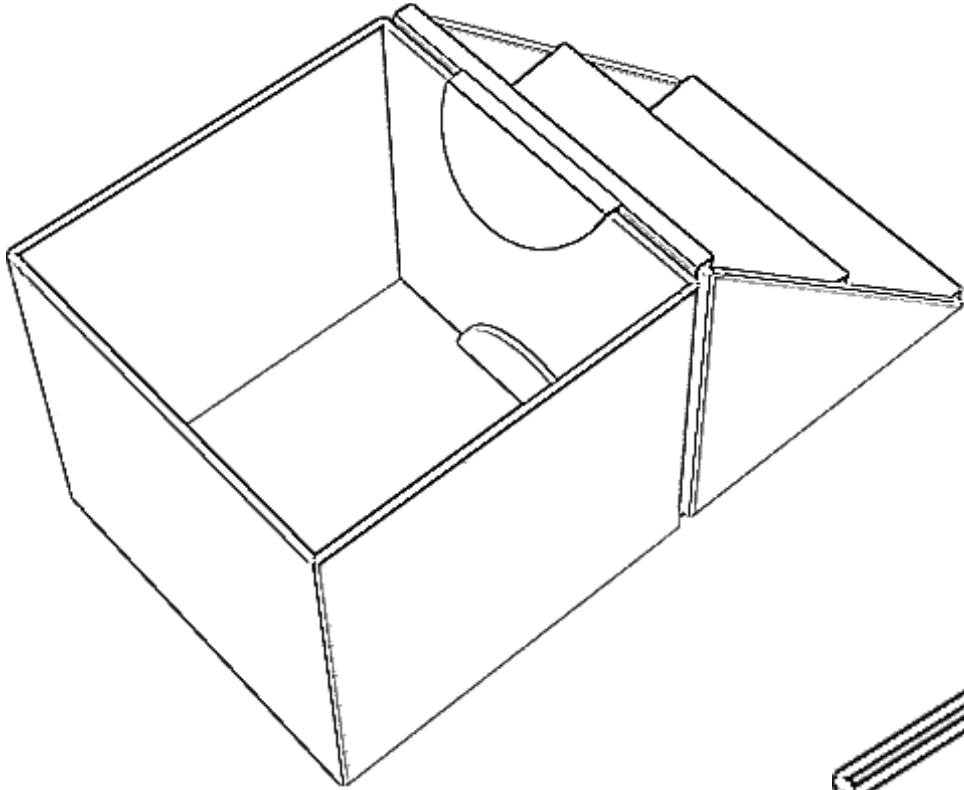




Step 5 completed

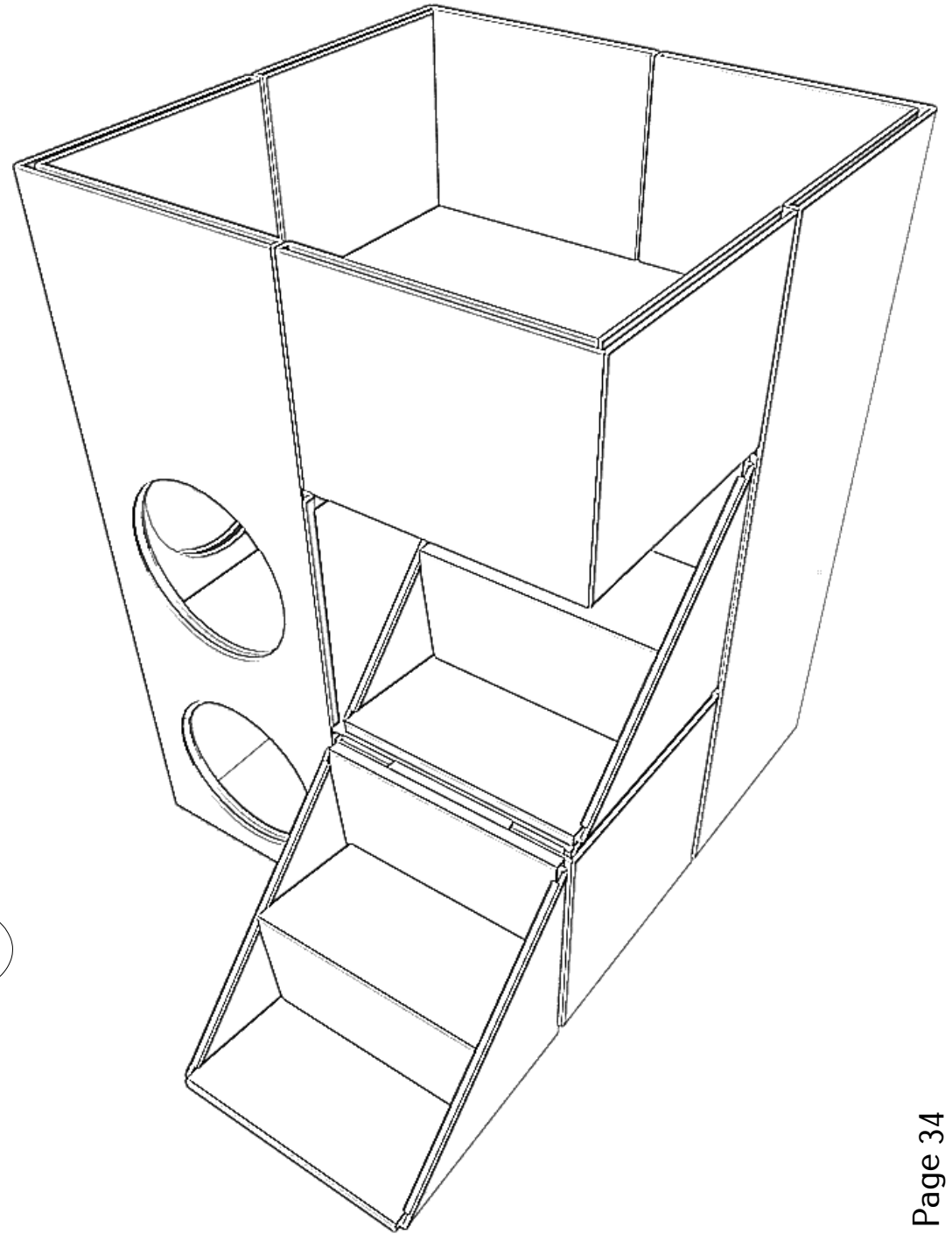
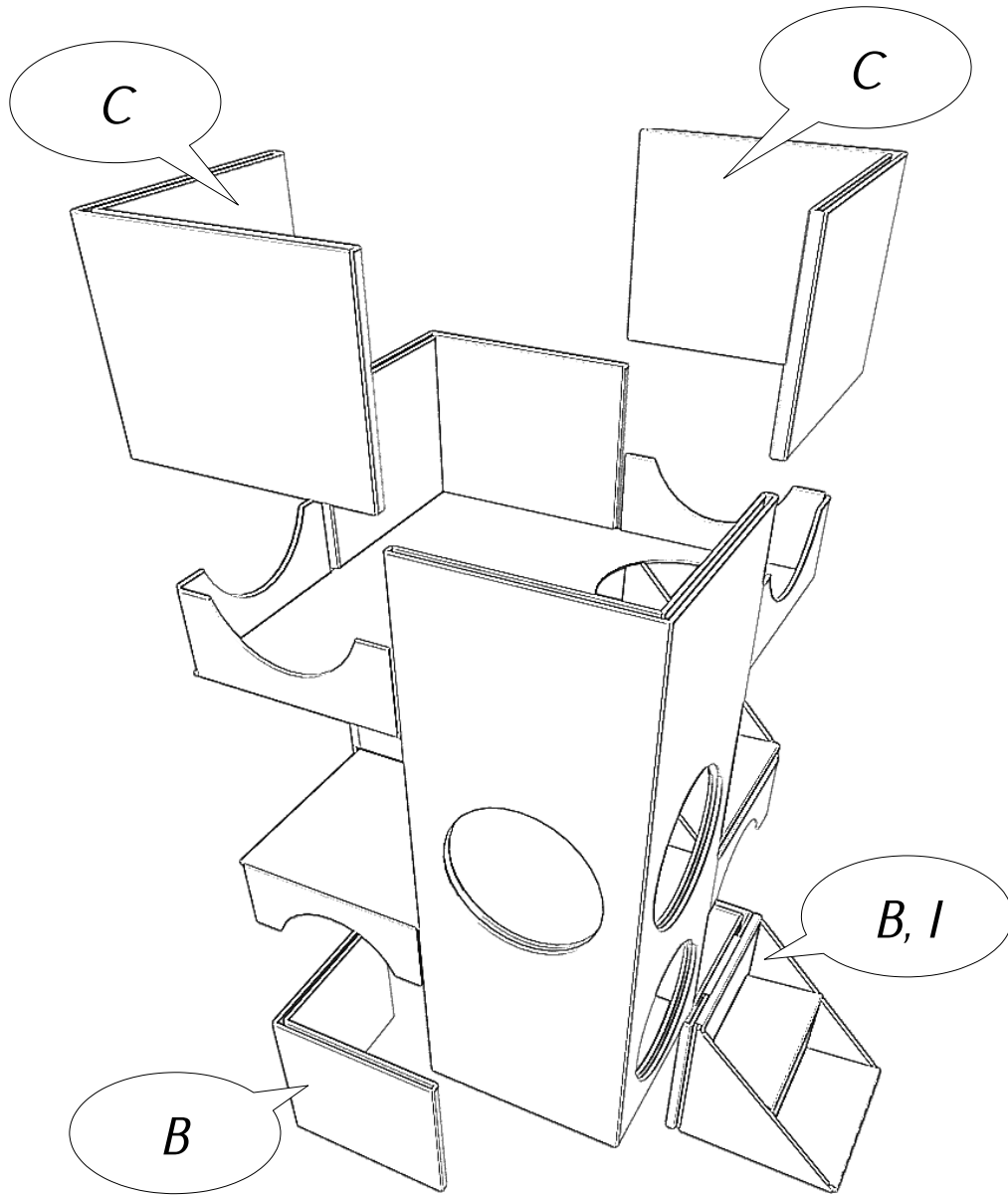
Step 6



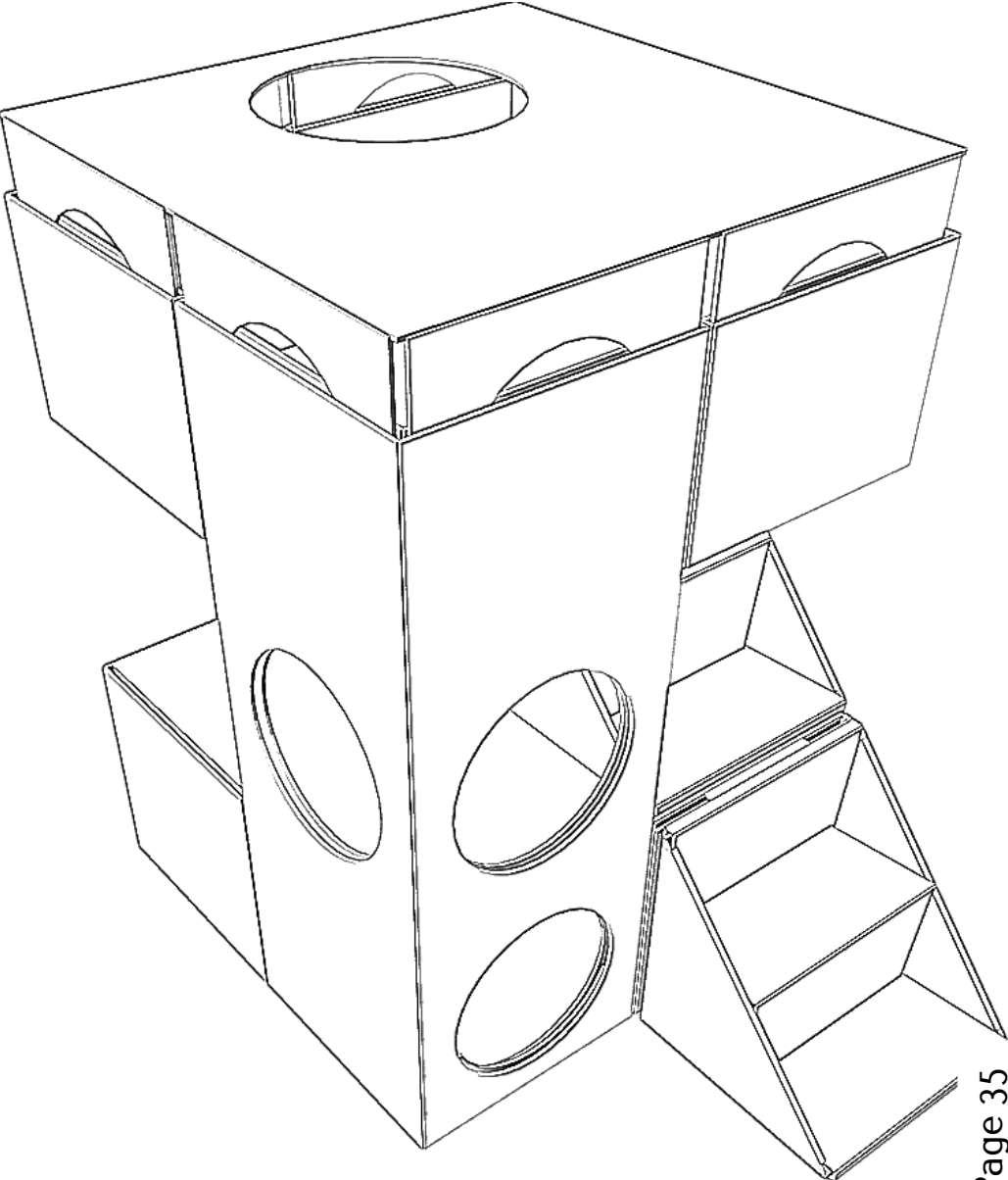
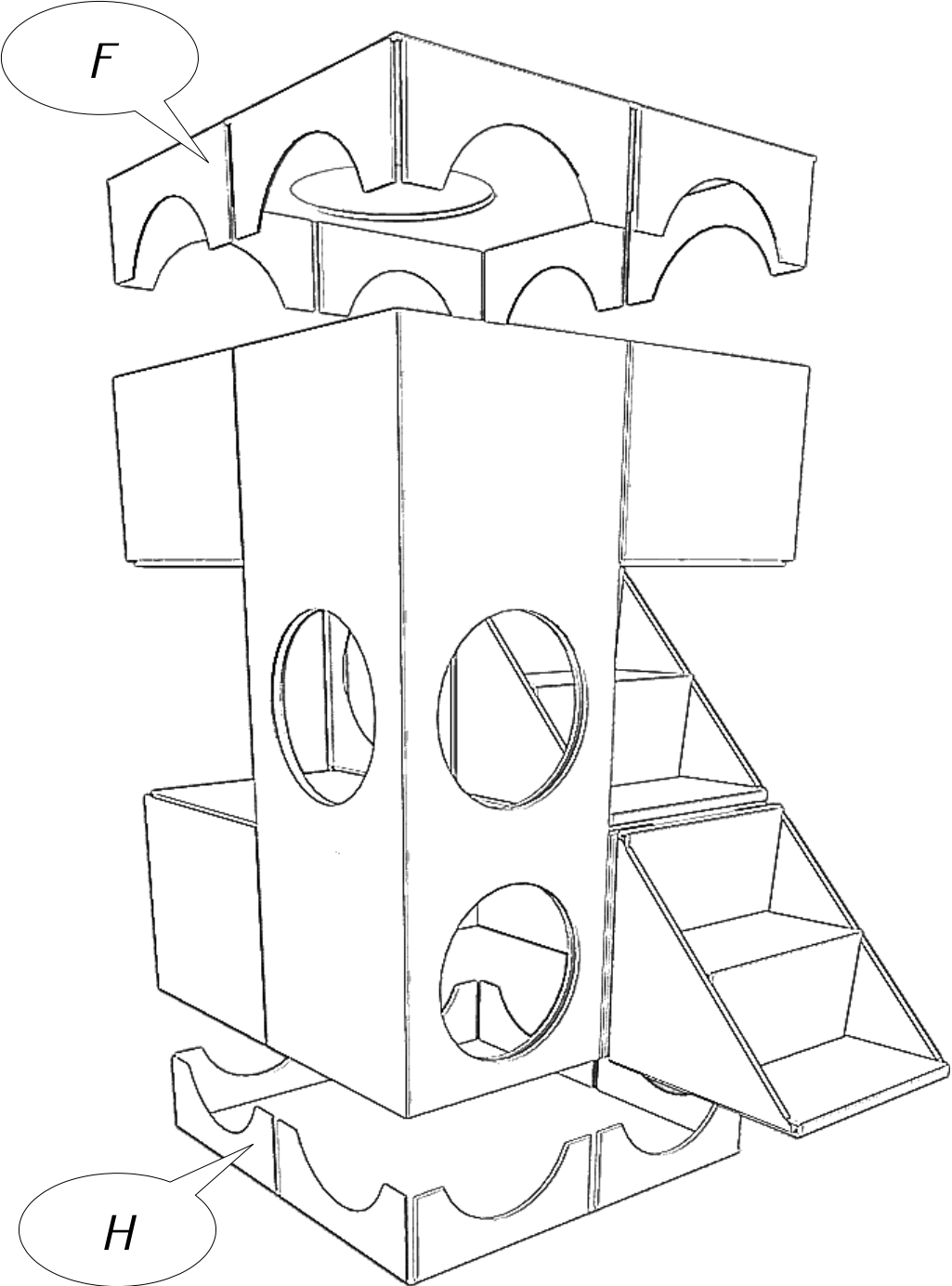


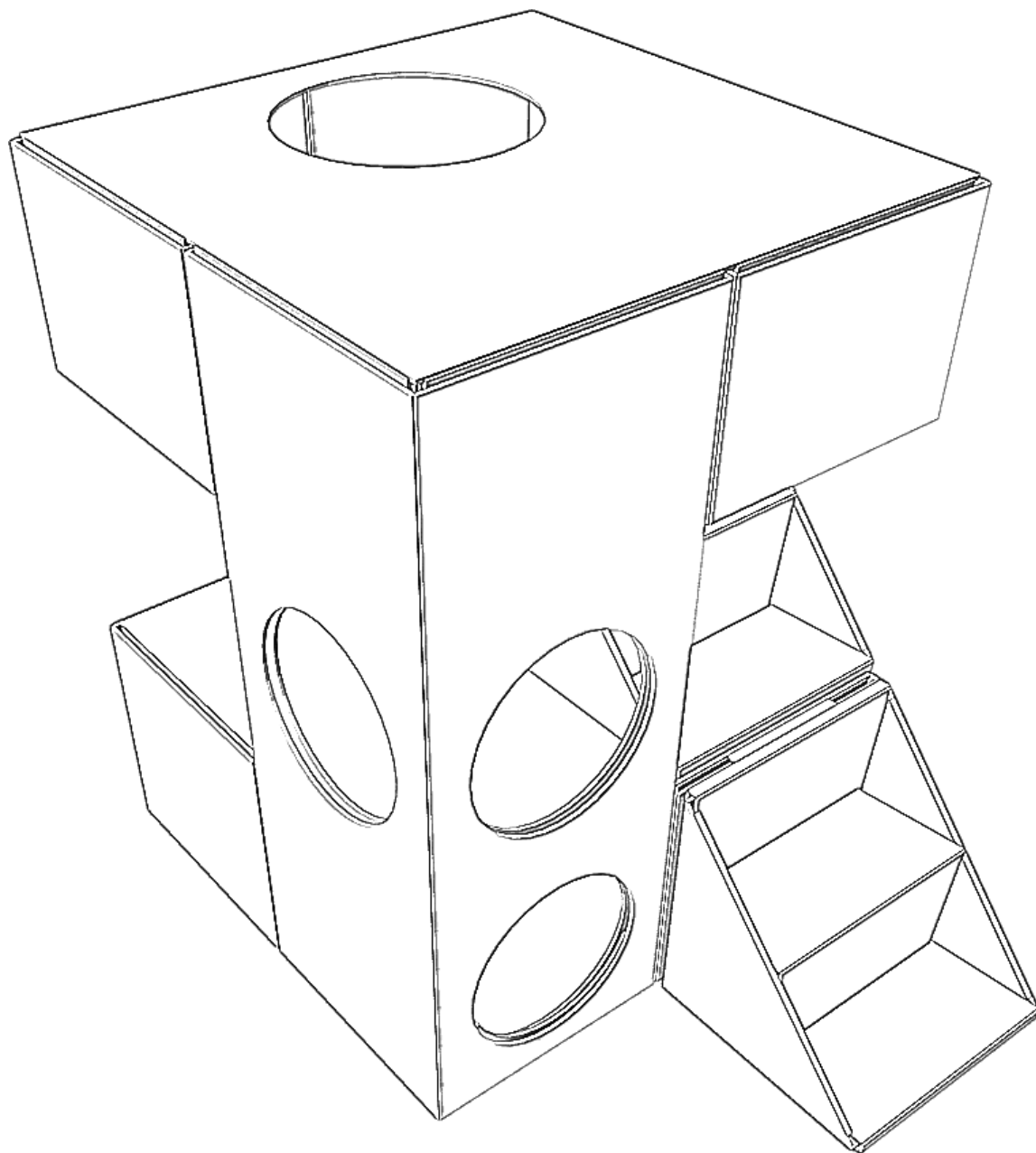
Step 6 completed

Step 7



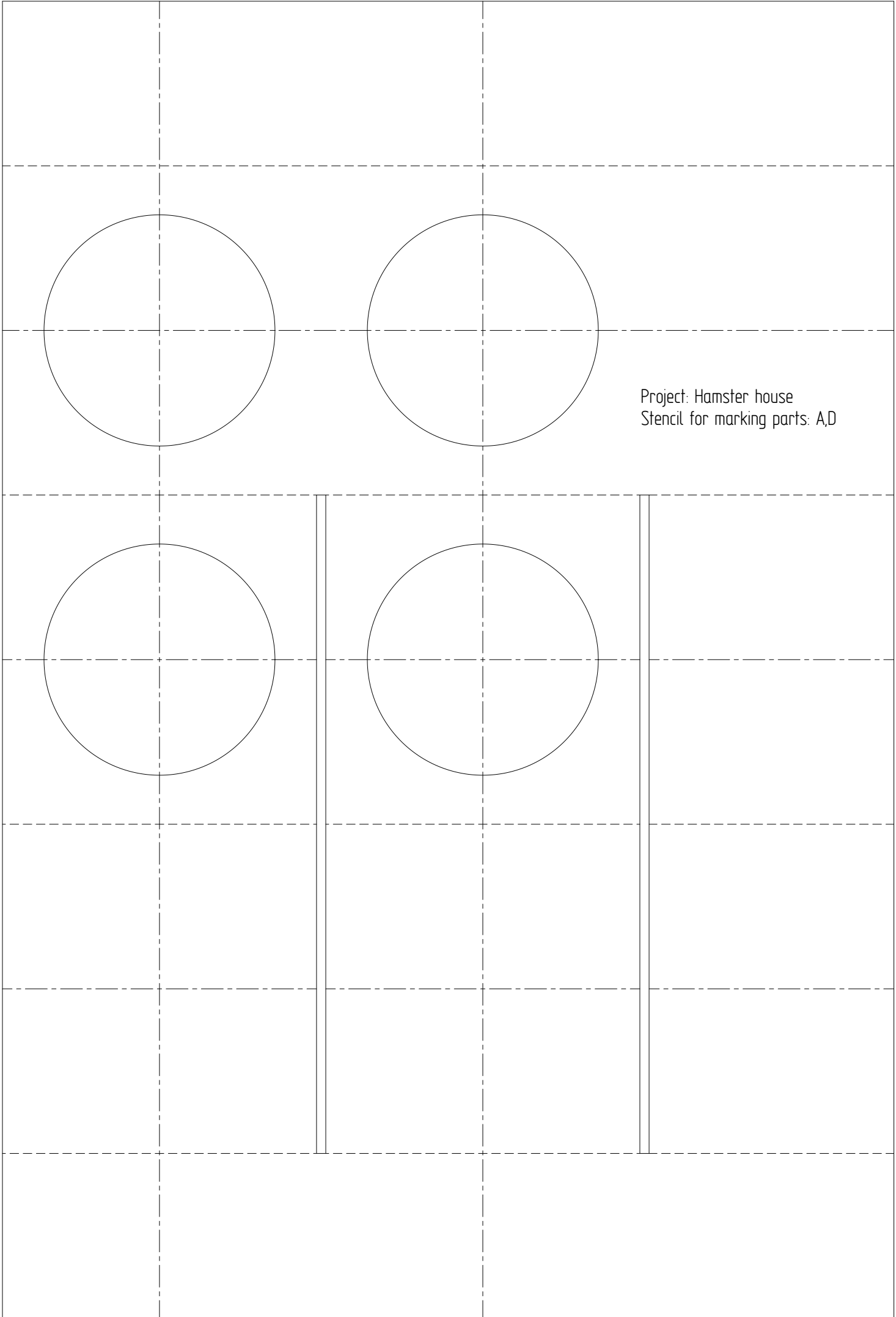
Step 8



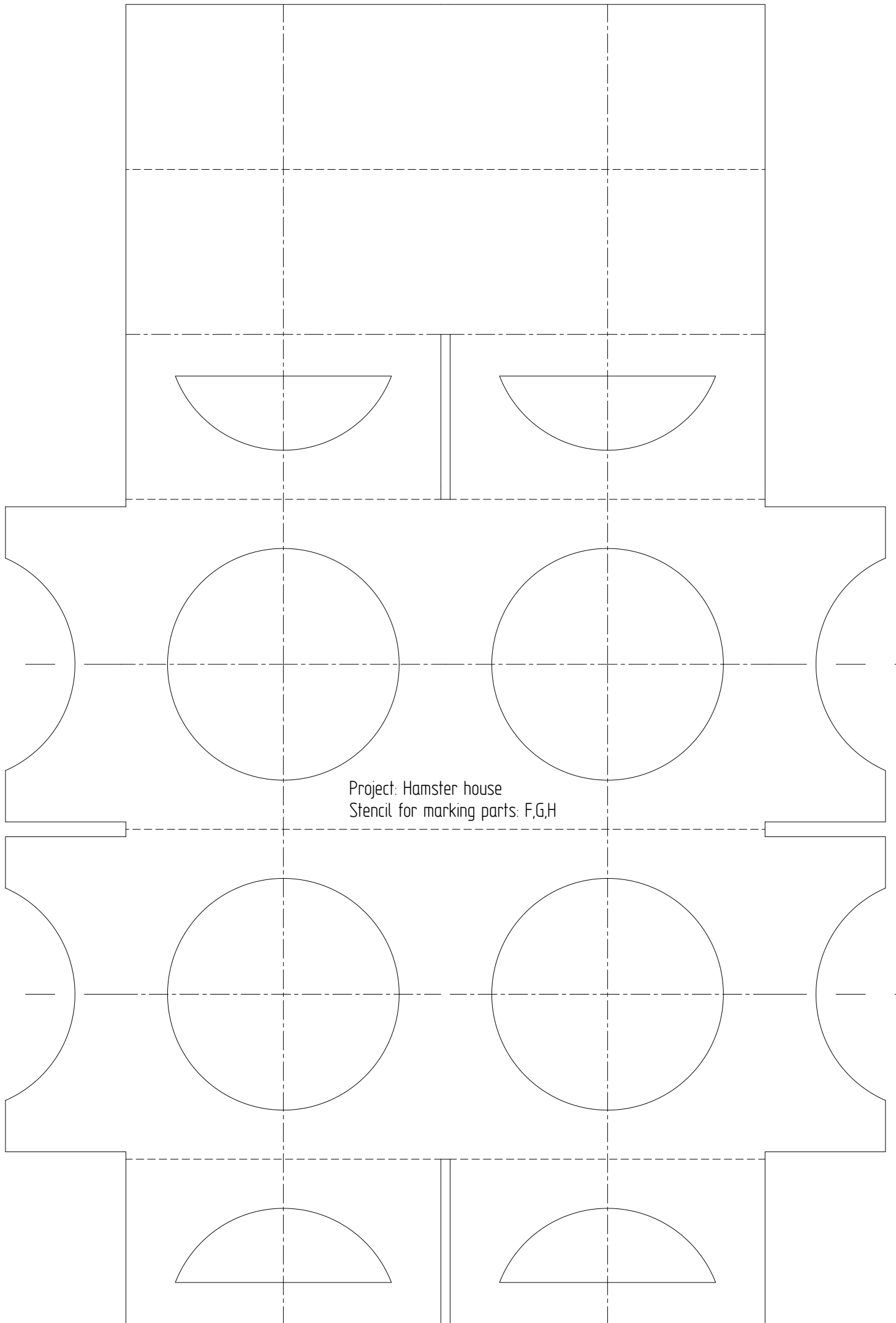


The house is fully built !

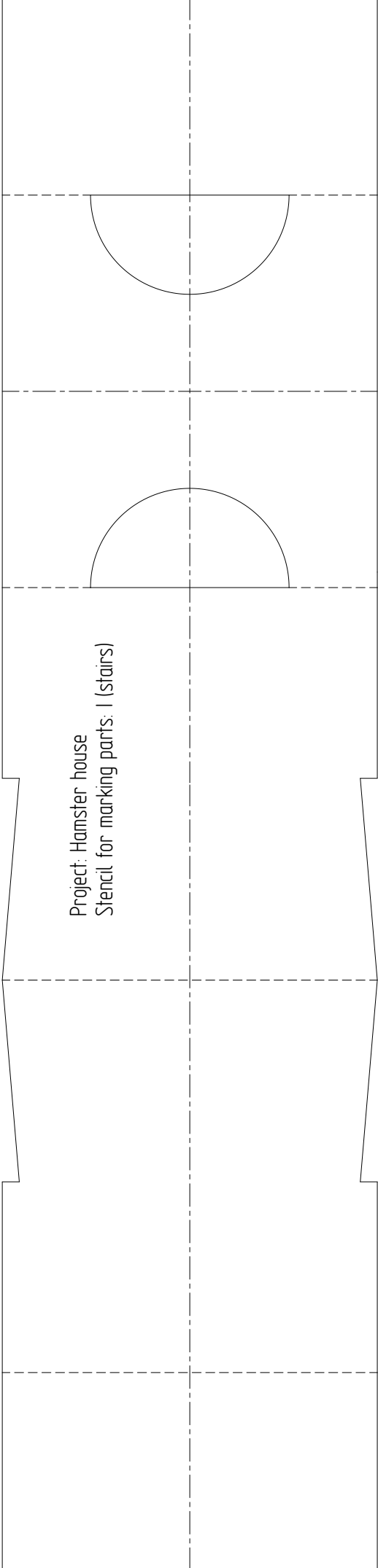
Appendix



Project: Hamster house
Stencil for marking parts: A,D



Project: Hamster house
Stencil for marking parts: F,G,H



Project: Hamster house
Stencil for marking parts: 1 (stairs)

Project: Hamster house
Stencil for marking parts: I (railings)

