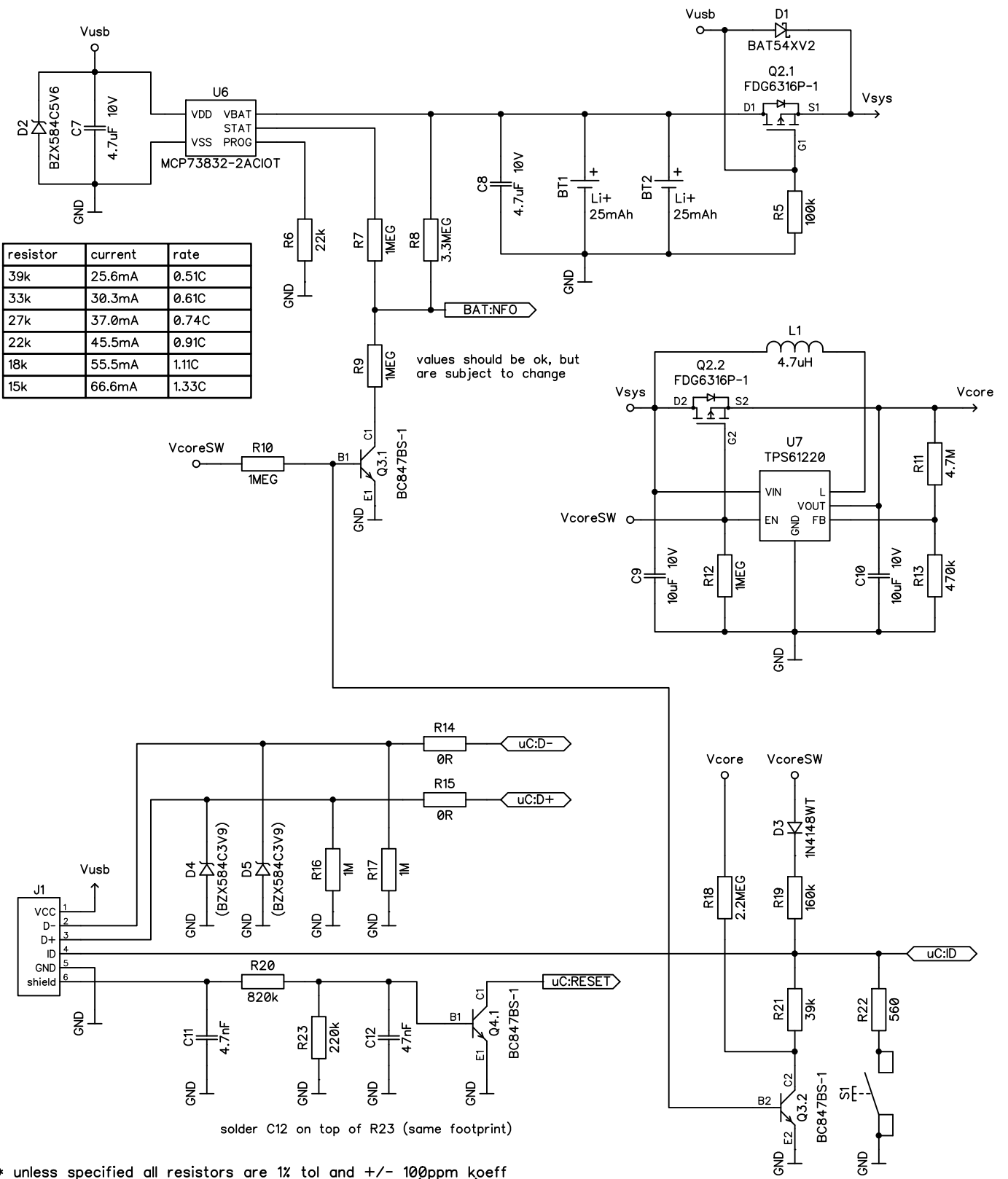


\* unless specified all resistors are 1% tol and +/- 100ppm koeff  
 \* unless specified all capacitors are at X7R or X5R (>100nF) and 10% tol.

Title Logic	Revision	Changes	Date
Author instructables.com/member/nqtronix			
Description Contains the main controller, the accelerometer (with it's own 3V LDO and I2C level shifter) and 1Mib of memory.			

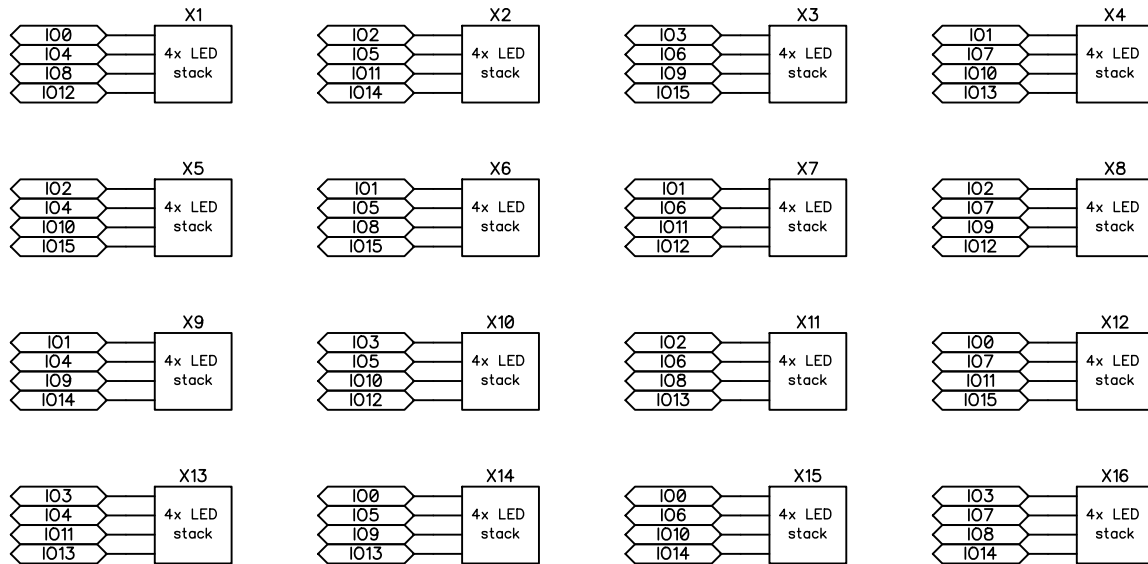
resistor	current	rate
39k	25.6mA	0.51C
33k	30.3mA	0.61C
27k	37.0mA	0.74C
22k	45.5mA	0.91C
18k	55.5mA	1.11C
15k	66.6mA	1.33C



solder C12 on top of R23 (same footprint)

- \* unless specified all resistors are 1% tol and +/- 100ppm koeff
- \* unless specified all capacitors are at X7R or X5R (>100nF) and 10% tol.
- \* do not populate parts if their part number is within (brackets)

Title Power + I/O	Revision	Changes	Date
Author instructables.com/member/nqtrnix			
Description Contains a Li-Po battery charger, a step-up converter, power multiplexing circuitry, as well as micro USB ID detection, level shifter and ISP programming extension.			



Title LEDs	Revision	Changes	Date
Author <a href="http://instructables.com/member/nqtrnix">instructables.com/member/nqtrnix</a>			
Description Contains the wiring information for the LED stacks. They will be connected to the "PD#" pads and assigned in software.			