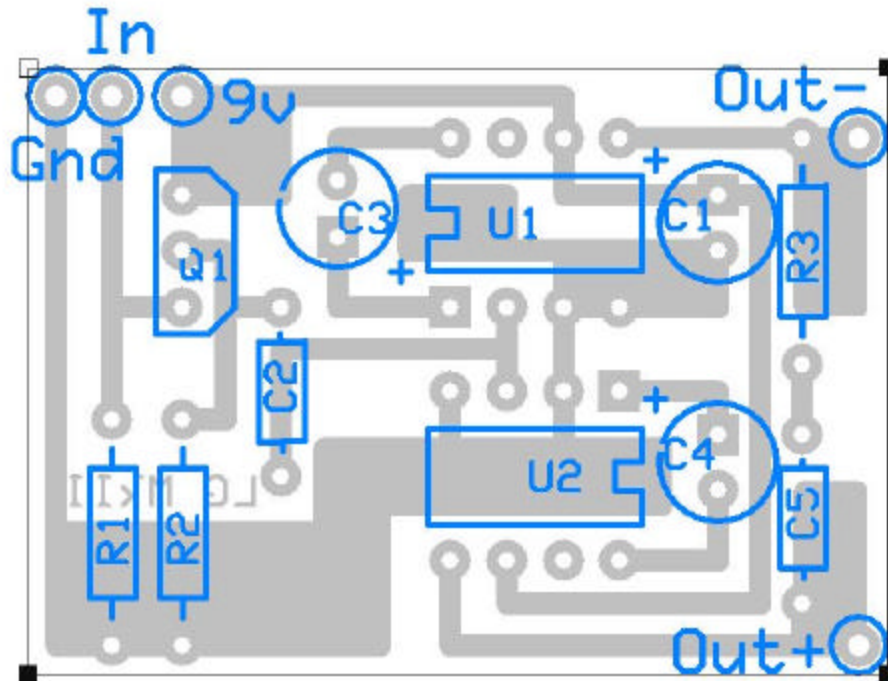


"Little Gem MkII" by runoffgroove.com

PCB layout by Pablo De Luca (aka Gringo)

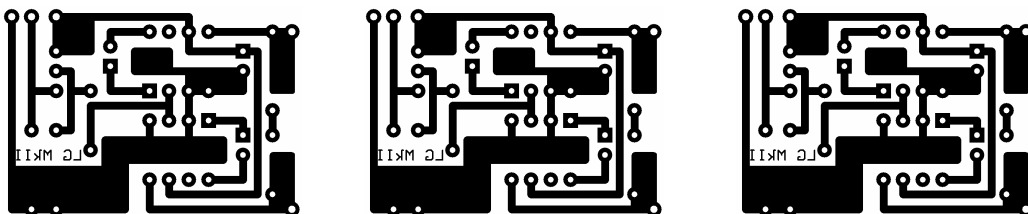
Version 1.1 May 13, 2006



Parts List:

Capacitors	Resistors	Semiconductors
C1 100uF	R1 1M5	U1 LM386
C2 220n	R2 10k	U2 LM386
C3 10uF	R3 10	Q1 MPF102 or other JFET
C4 10uF		
C5 47n		

Transfers:



Board Dimensions: 38.74mm x 27.31mm (1.525" x 1.075")