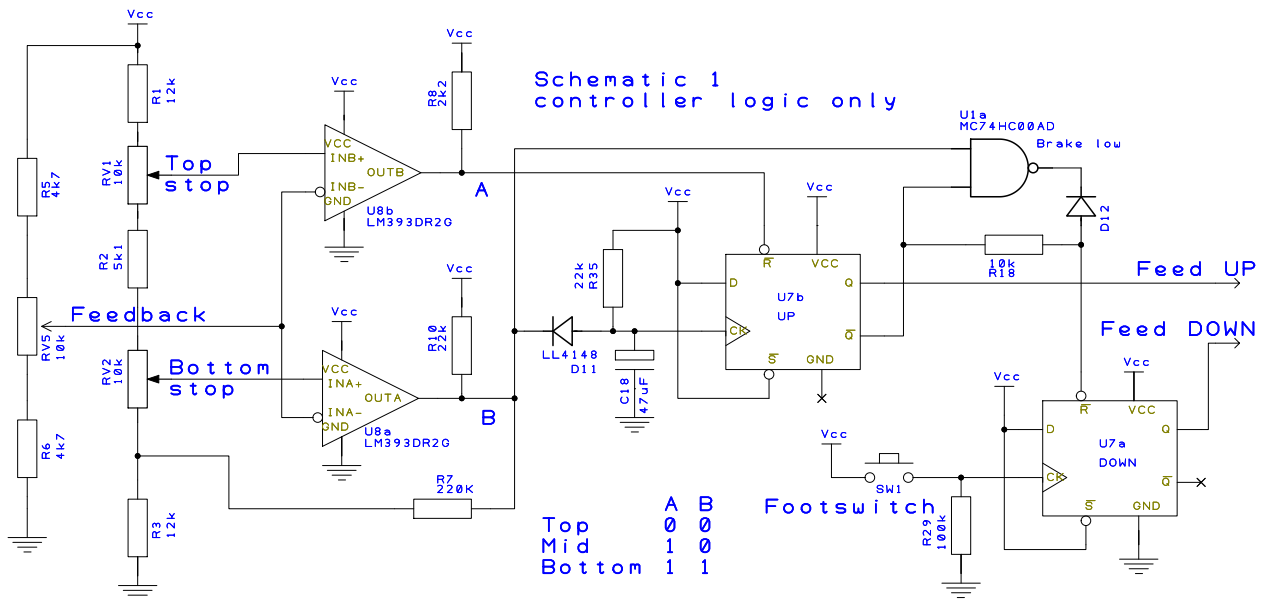


Schematic 1  
controller logic only



	A	B
Top	0	0
Mid	1	0
Bottom	1	1