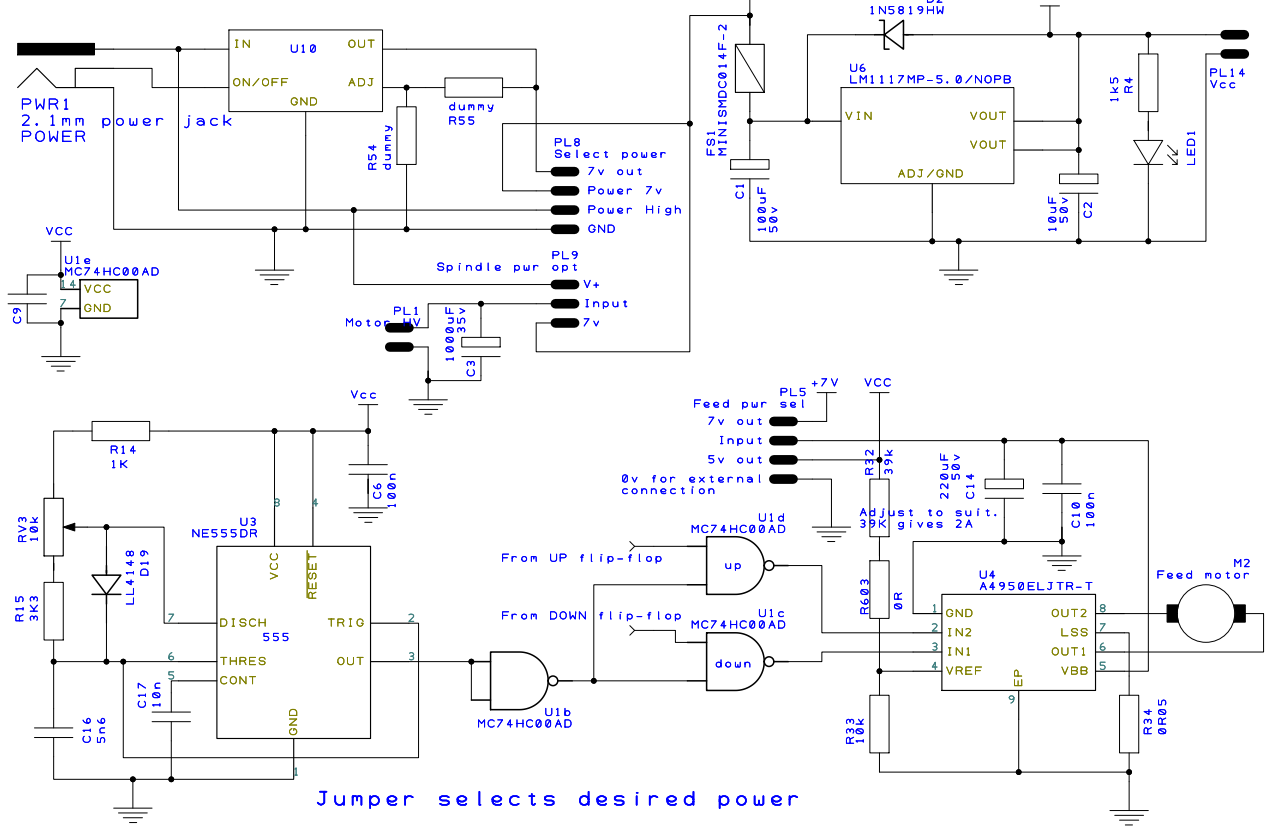


Schematic 2 - power and feed PWM



Jumper selects desired power