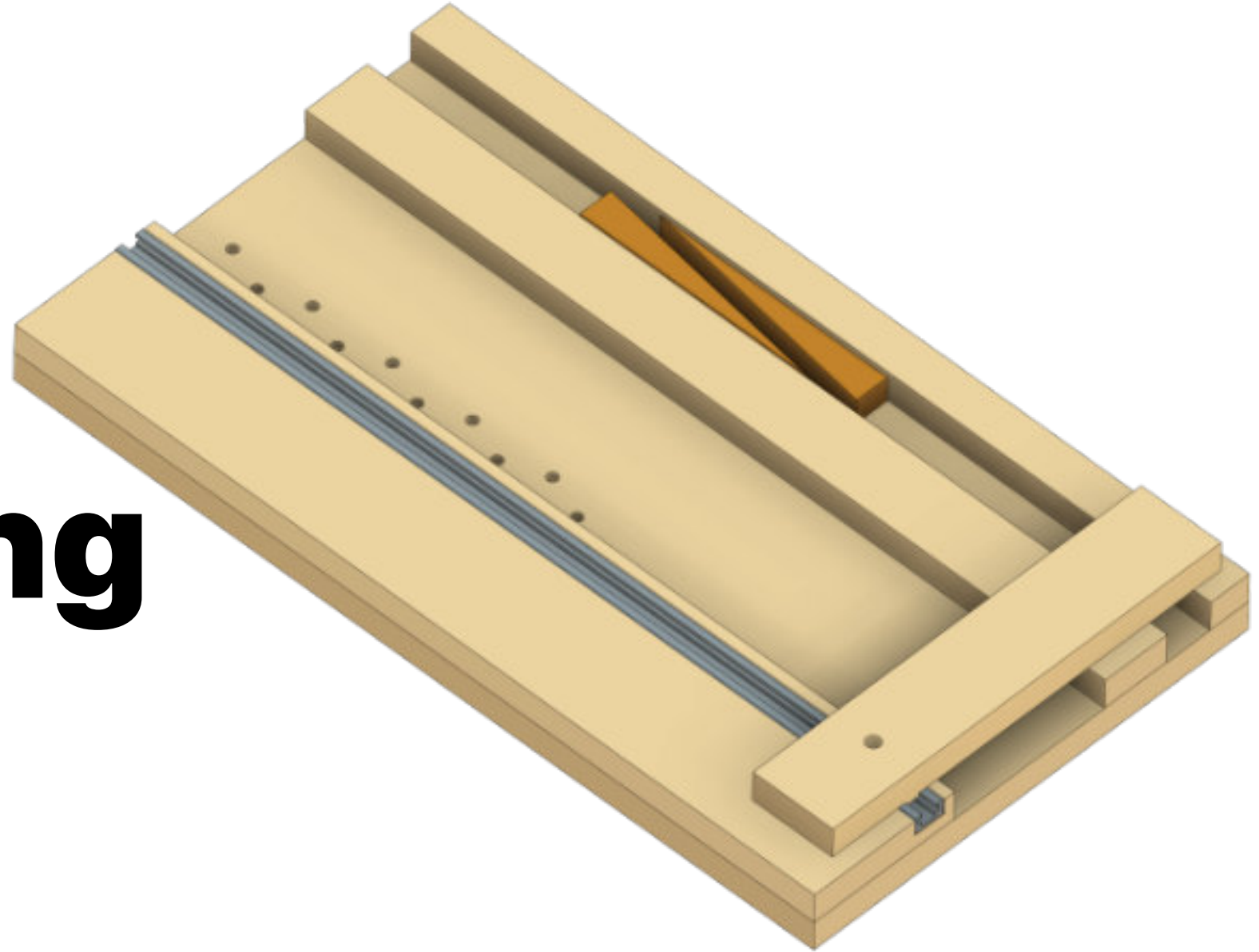
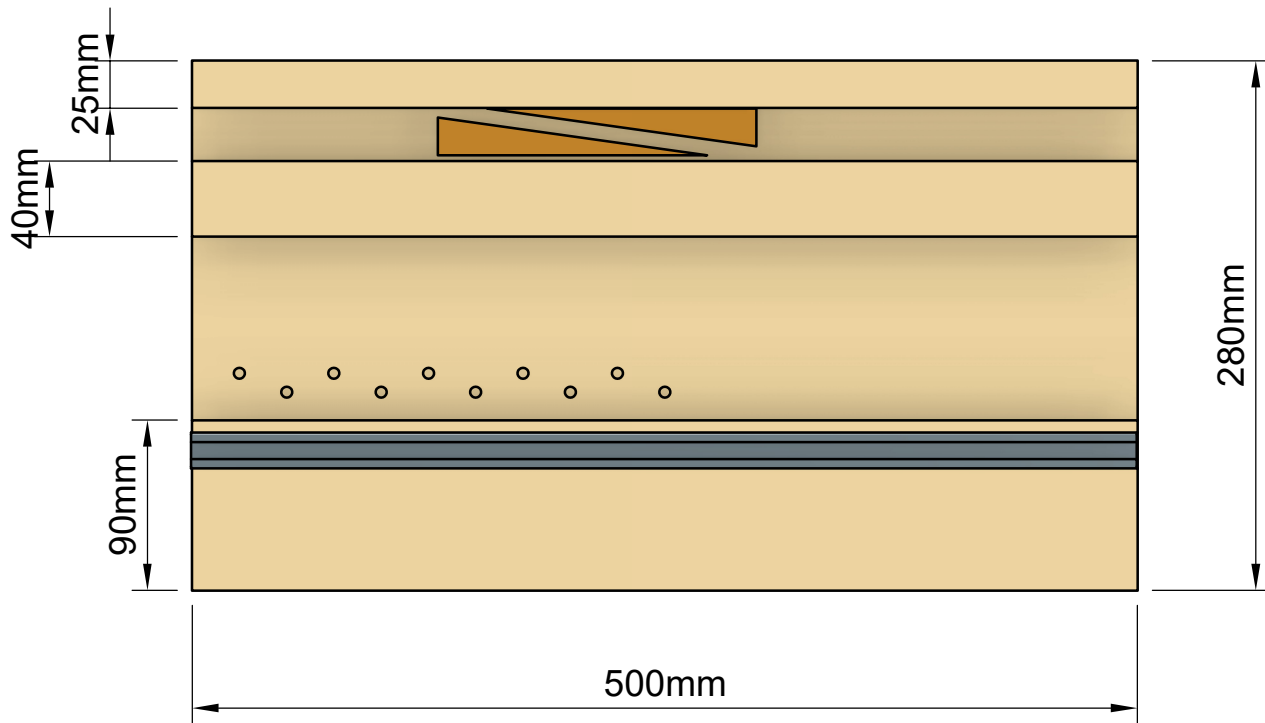


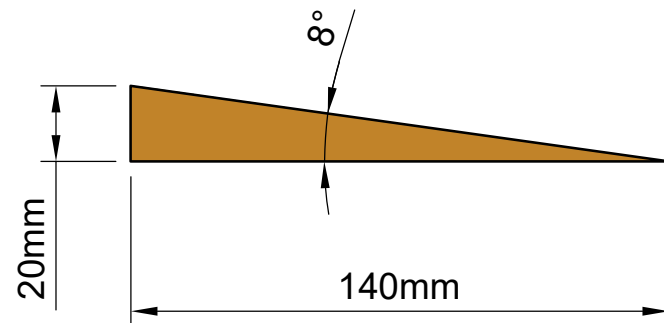
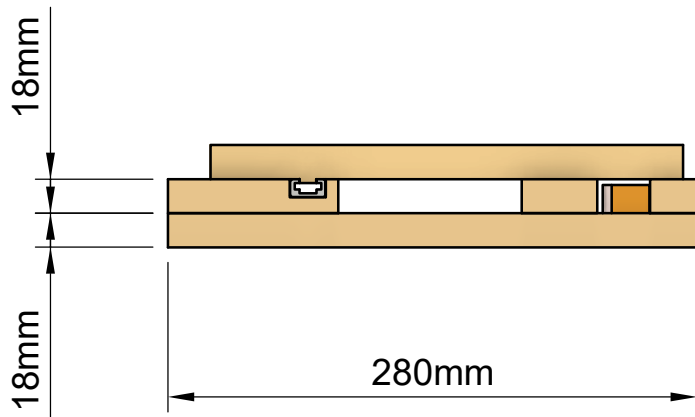


Small Parts Routing Jig v2





Except for the wedges, all parts from 19mm (3/4") plywood



Actual angle and length isn't critical, this just happens to be what I used, you may want multiple wedges to act as spacers for small parts!