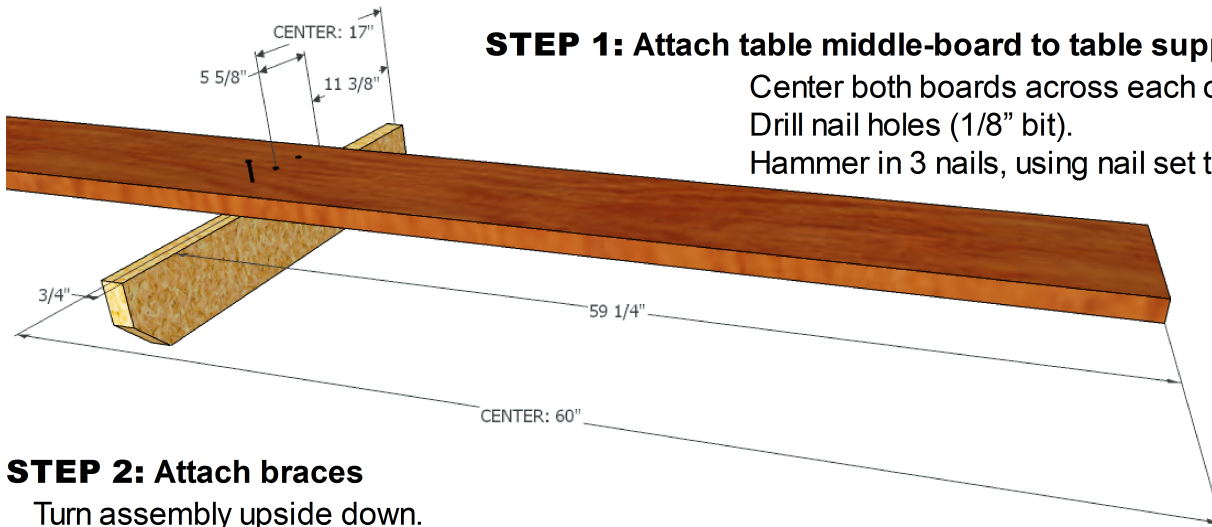


TABLE ASSEMBLY STEPS

STEP 1: Attach table middle-board to table support

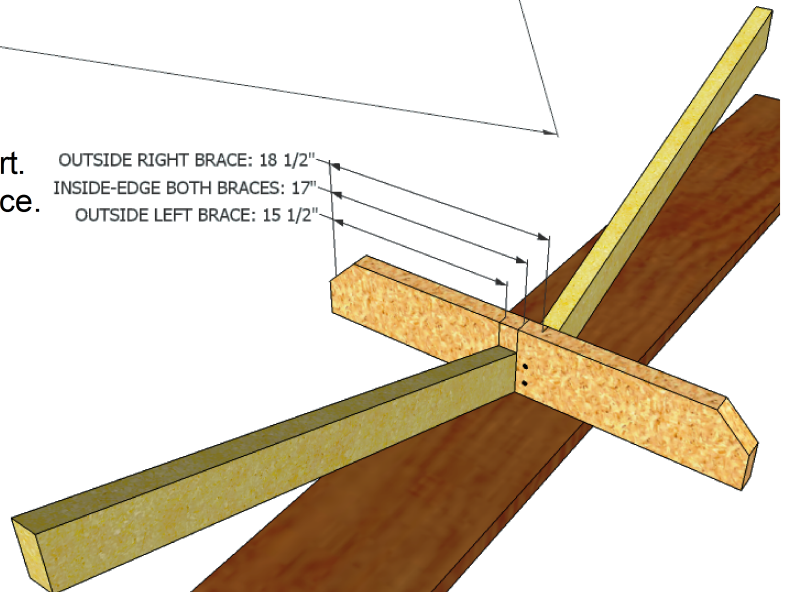
Center both boards across each other.
 Drill nail holes (1/8" bit).
 Hammer in 3 nails, using nail set to protect top.



STEP 2: Attach braces

Turn assembly upside down.
 Offset both braces from middle of table support.
 Drill holes for 2 nails and hammer in, each brace.

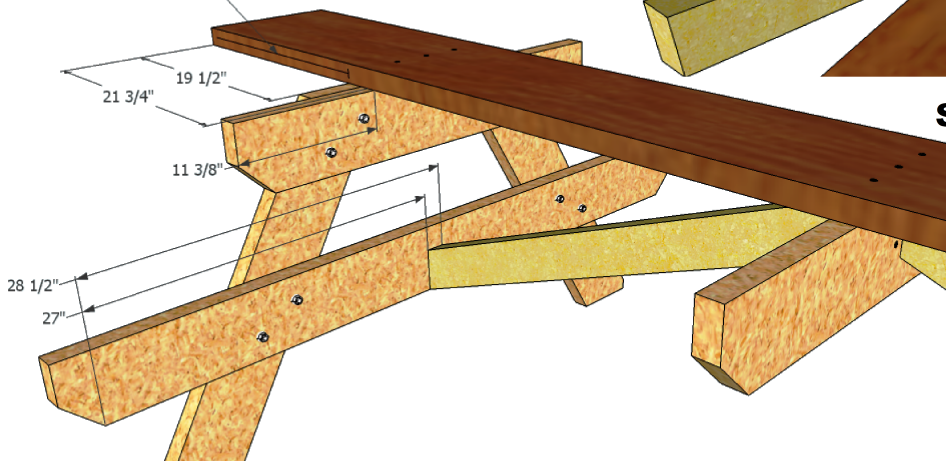
OUTSIDE RIGHT BRACE: 18 1/2"
 INSIDE-EDGE BOTH BRACES: 17"
 OUTSIDE LEFT BRACE: 15 1/2"



STEP 3: Attach trestles

Each trestle: legs out, supports inside.
 Attach trestles to braces, same center offset.
 Drill holes for 2 nails and hammer in / brace.

DOUBLECHECK
 CLEARANCE > 19"

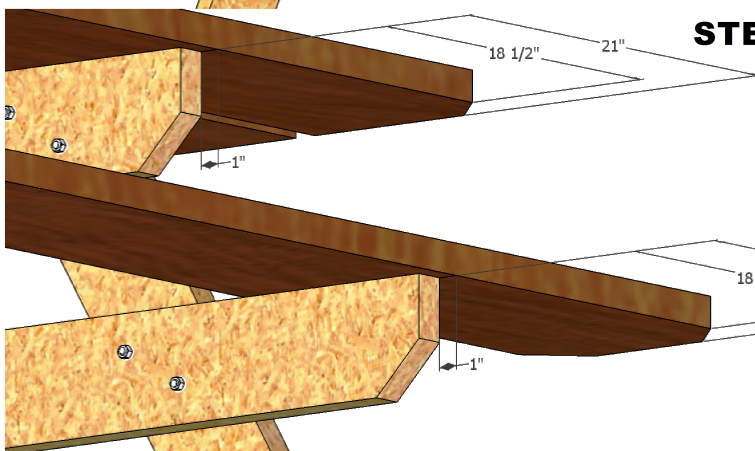


STEP 4: Secure trestles

Turn assembly right side up.
 Square trestle to table top.
 Check that clearance is > 19"
 Attach trestles to table top.
 3 nails / connection, w-nail set.

STEP 5: Attach table sides

Attach table sides to table supports.
 Boards overlap support ends by 1".
 3 nails / connection, w-nail set.



STEP 6: Attach seats

Attach seats to seat supports.
 Boards overlap support ends by 1".
 3 nails / connection, w-nail set.

