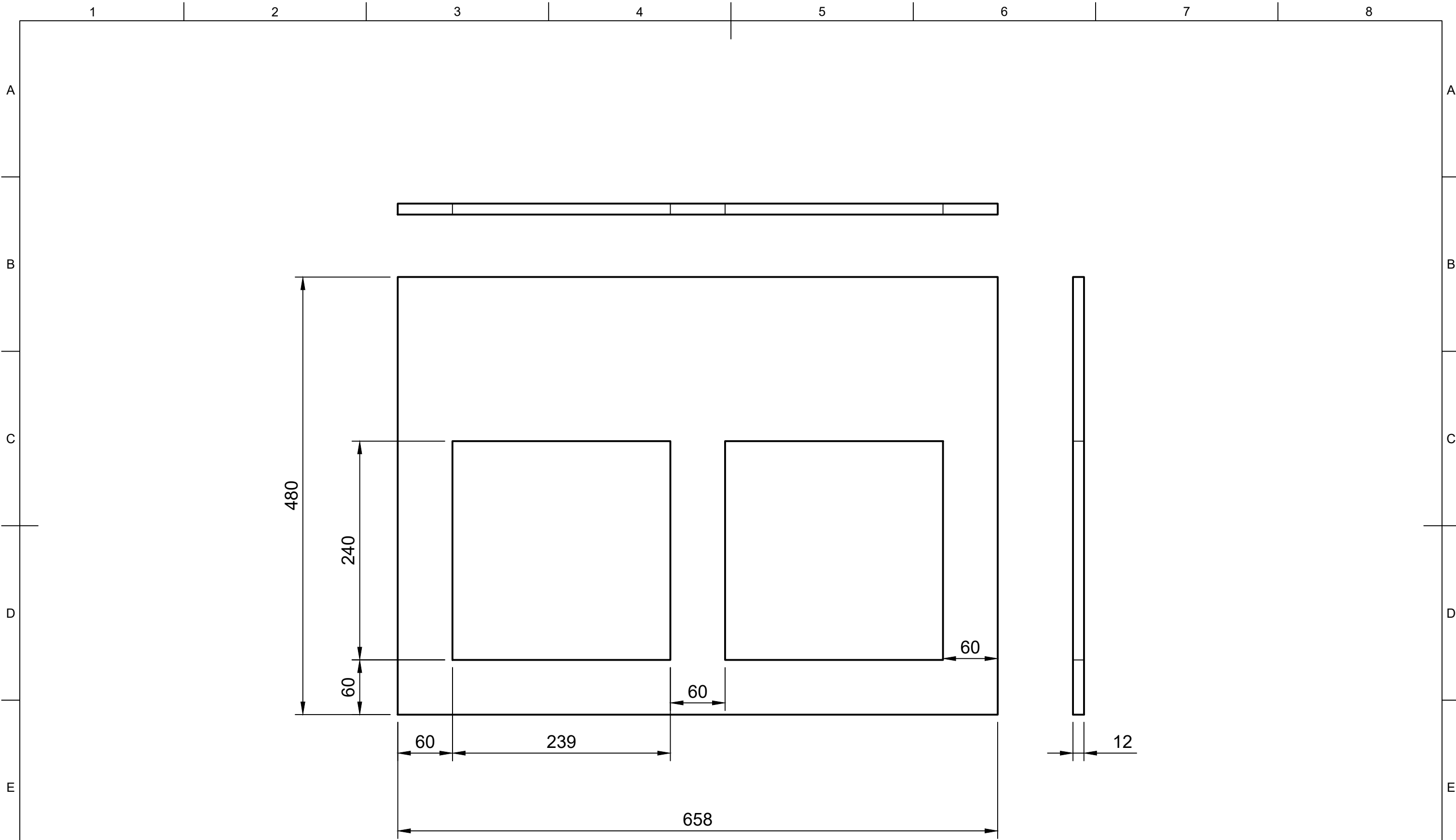


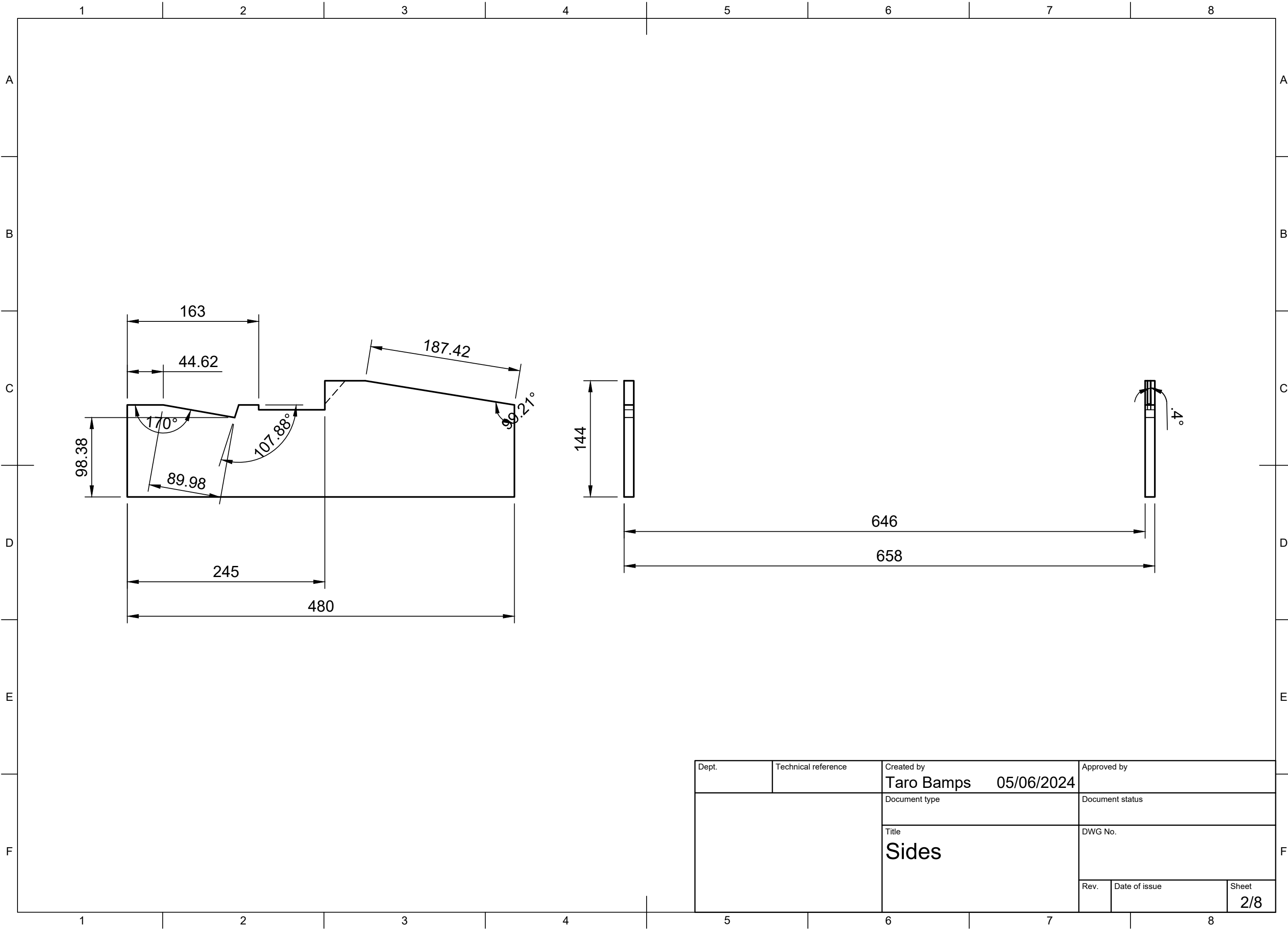
Parts List			
Item	Qty	Part Number	Material
16	4	Big hinge	Steel

Parts List			
Item	Qty	Part Number	Material
1	1	Base	Plywood, Sheathing
2	1	Side walls	Plywood, Sheathing
3	1	Right axle wall	Plywood, Sheathing
4	1	Back wall	Plywood, Sheathing
5	1	Right wall lower	Plywood, Sheathing
6	1	Cover	Plywood, Sheathing
7	1	Box 2	
7.1	1	Front wall	Plywood, Sheathing
7.1.1	1	Lid small	Plywood, Sheathing
7.2	2	Big hinge	Steel
7.2.1	1	Component1	Steel
7.2.2	1	Pin	Steel
7.2.3	1	Component3	Steel
8	1	Final foam	
8.1	1	Foam v14	Polyurethane Foam
11	1	New side flap (left) v18	
12	1	New side flap (right) v14	Wood (Oak)
13	2	24mm clip	Wood (Oak)
14	2	Long latch	Steel
15	2	Short latch	Steel

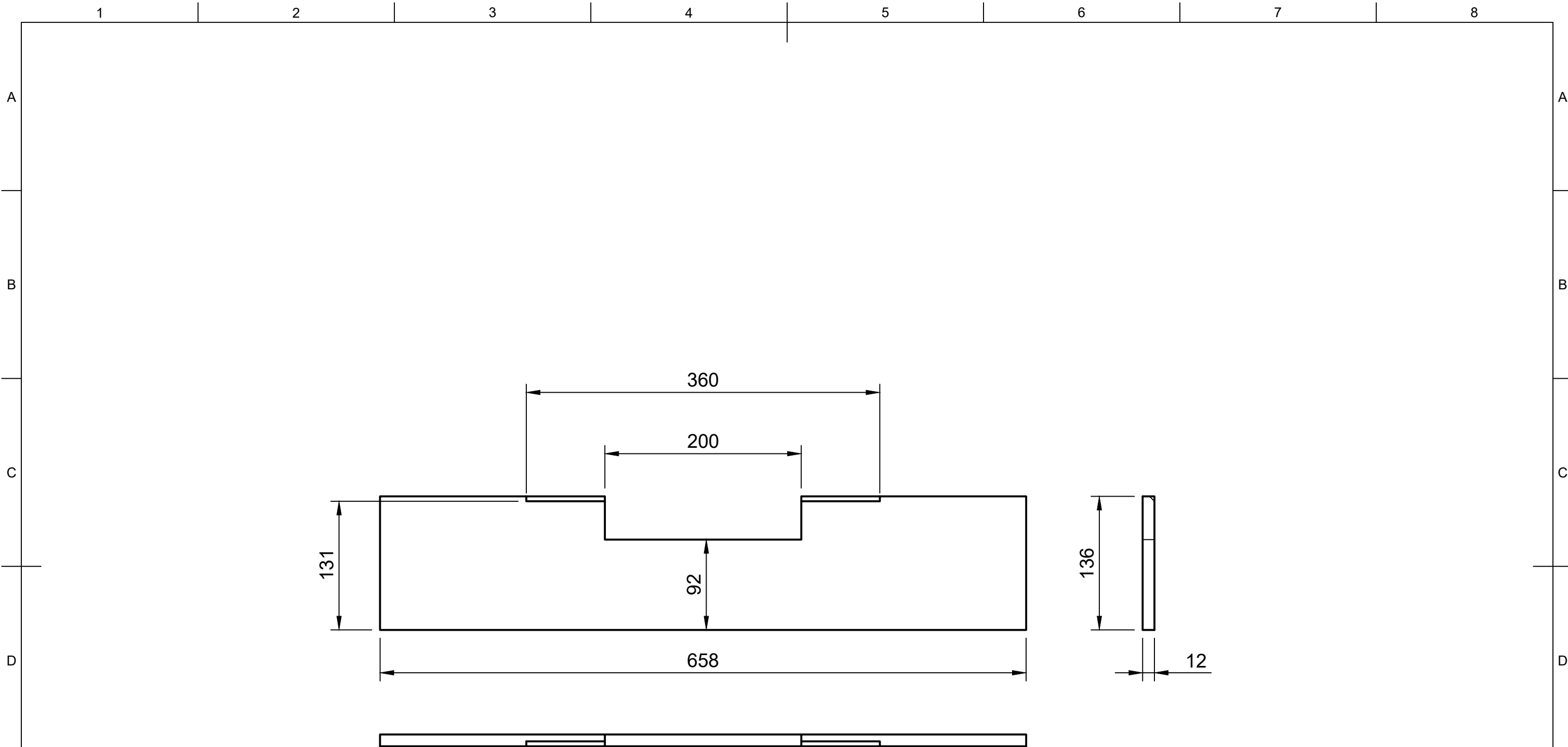
Dept.	Technical reference	Created by Chris Schramm 05.06.2024	Approved by
		Document type	Document status
		Title Assembly 3 (new flaps) no indents	DWG No.
Rev.	Date of issue	Sheet 1/1	



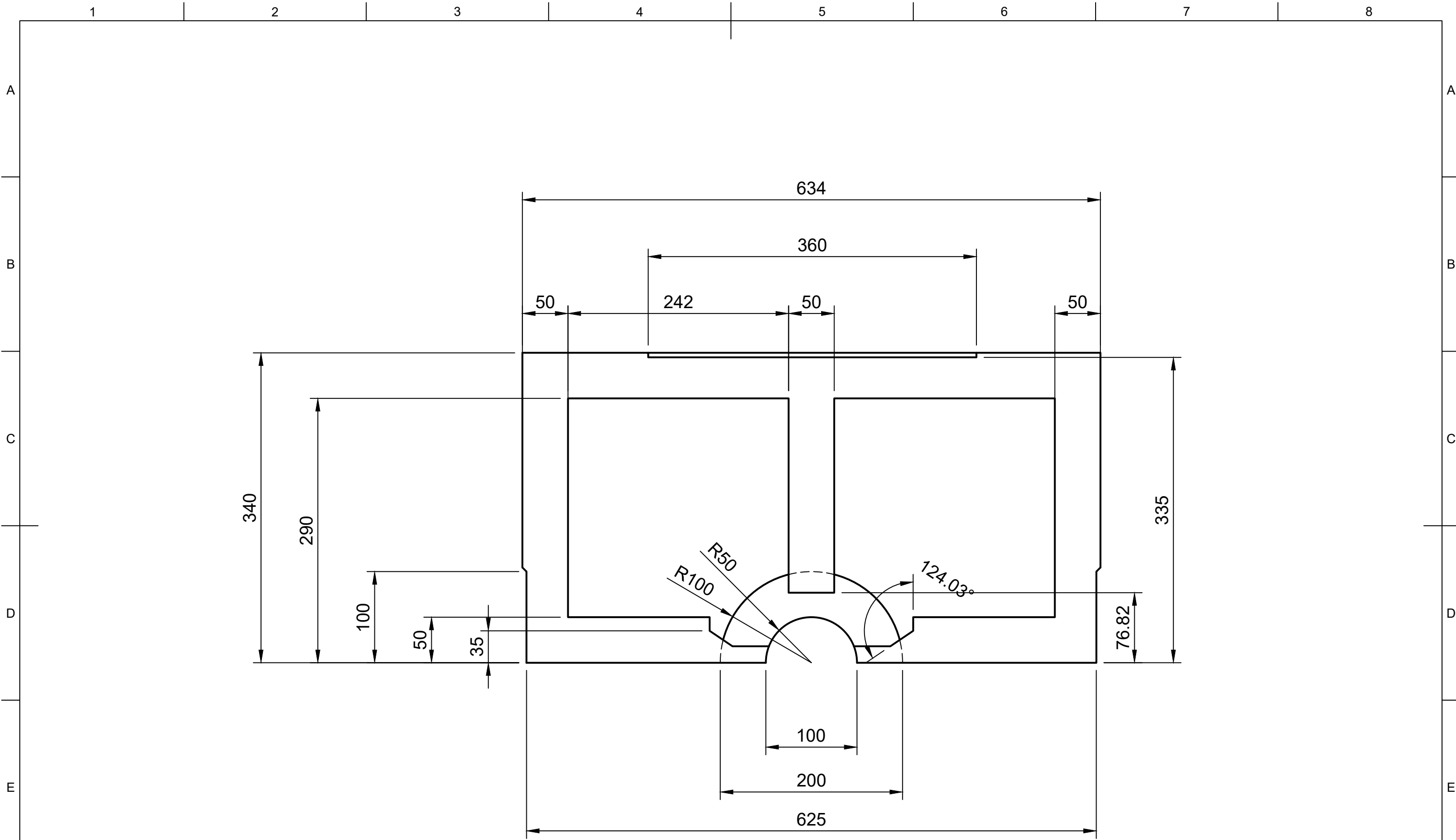
Dept.	Technical reference	Created by Taro Bamps	05/06/2024	Approved by
		Document type	Document status	
		Title Cover	DWG No.	
Rev.	Date of issue	Sheet	1/8	



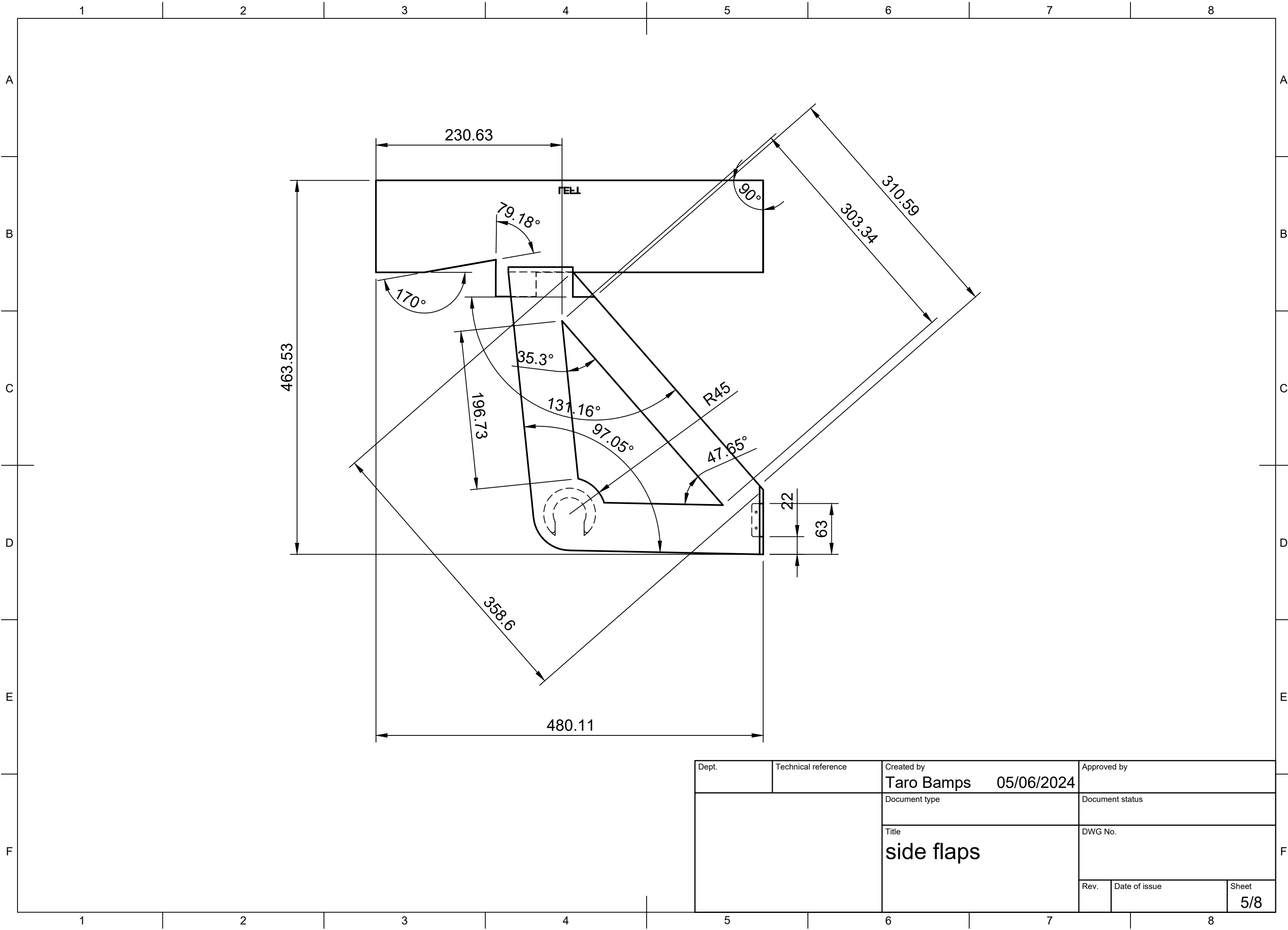
Dept.	Technical reference	Created by Taro Bamps	05/06/2024	Approved by
		Document type	Document status	
		Title Sides	DWG No.	
Rev.	Date of issue	Sheet	2/8	



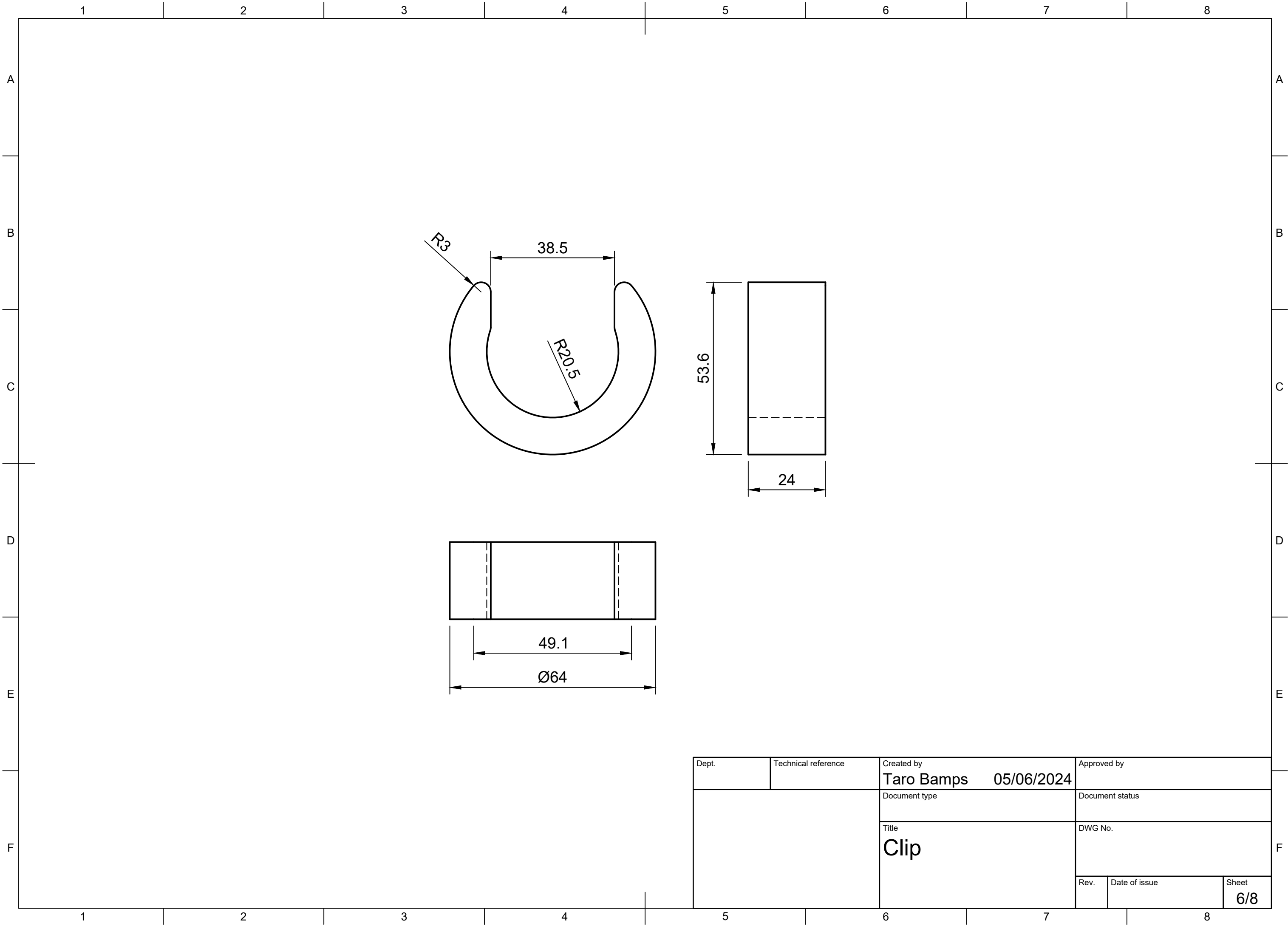
Dept.	Technical reference	Created by Taro Bamps 05/06/2024	Approved by
		Document type	Document status
		Title Back	DWG No.
	Rev.	Date of issue	Sheet 3/8



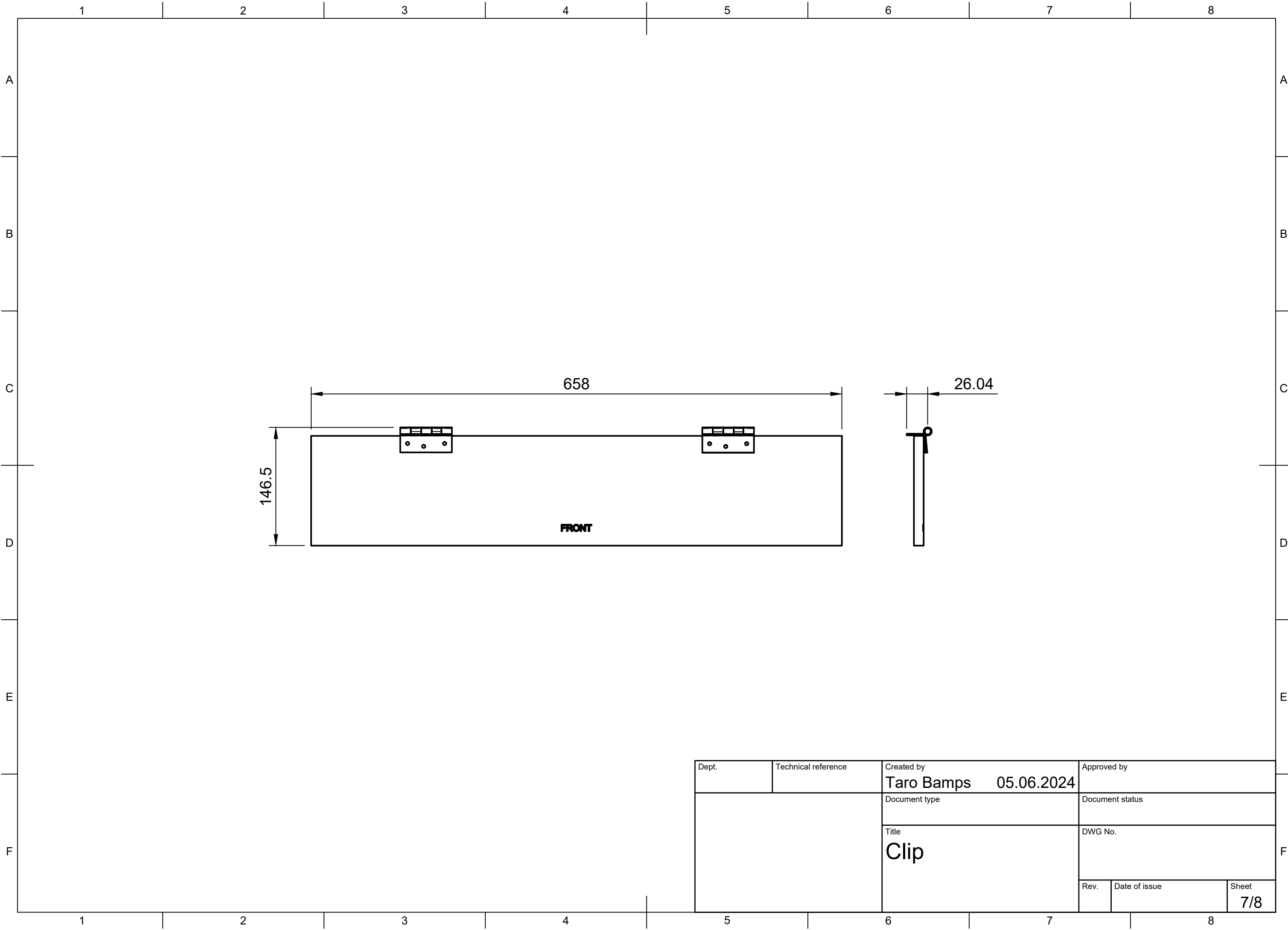
Dept.	Technical reference	Created by Taro Bamps	05/06/2024	Approved by
		Document type	Document status	
		Title Big Cover	DWG No.	
Rev.	Date of issue	Sheet	4/8	



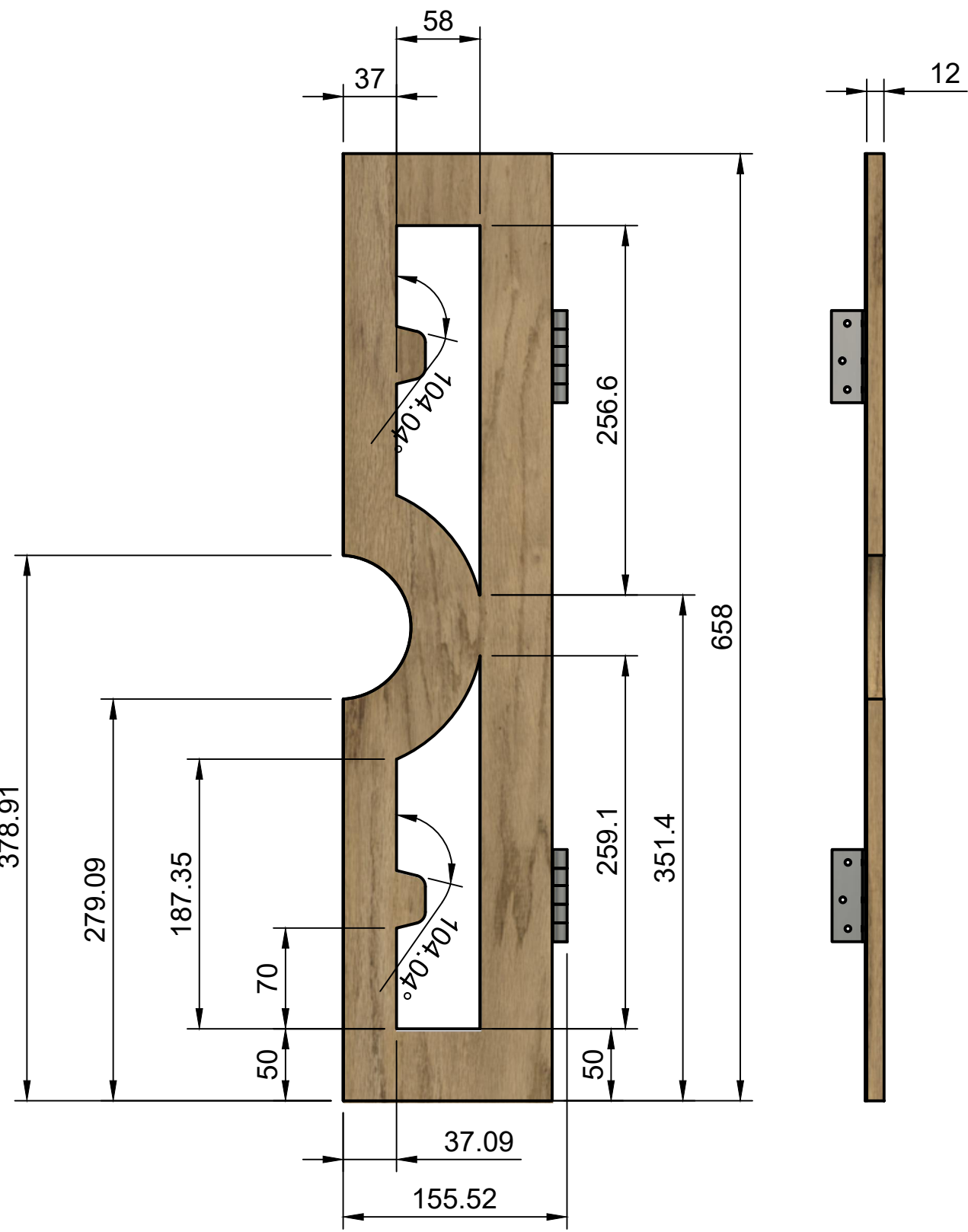
Dept.	Technical reference	Created by Taro Bamps 05/06/2024	Approved by
		Document type	Document status
		Title side flaps	DWG No.
Rev.	Date of issue	Sheet 5/8	



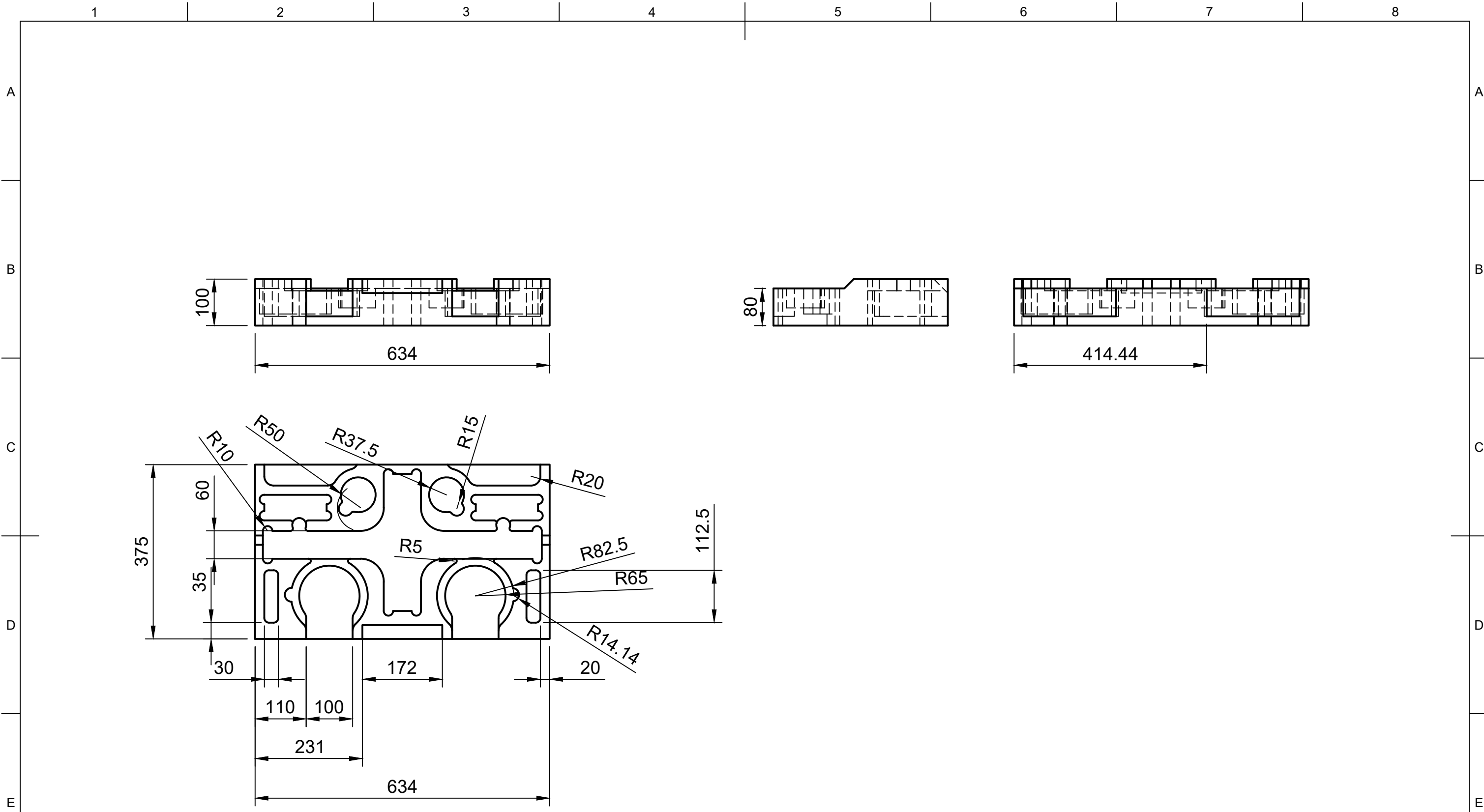
Dept.	Technical reference	Created by Taro Bamps 05/06/2024	Approved by
		Document type	Document status
		Title Clip	
		Rev.	Date of issue
		Sheet 6/8	



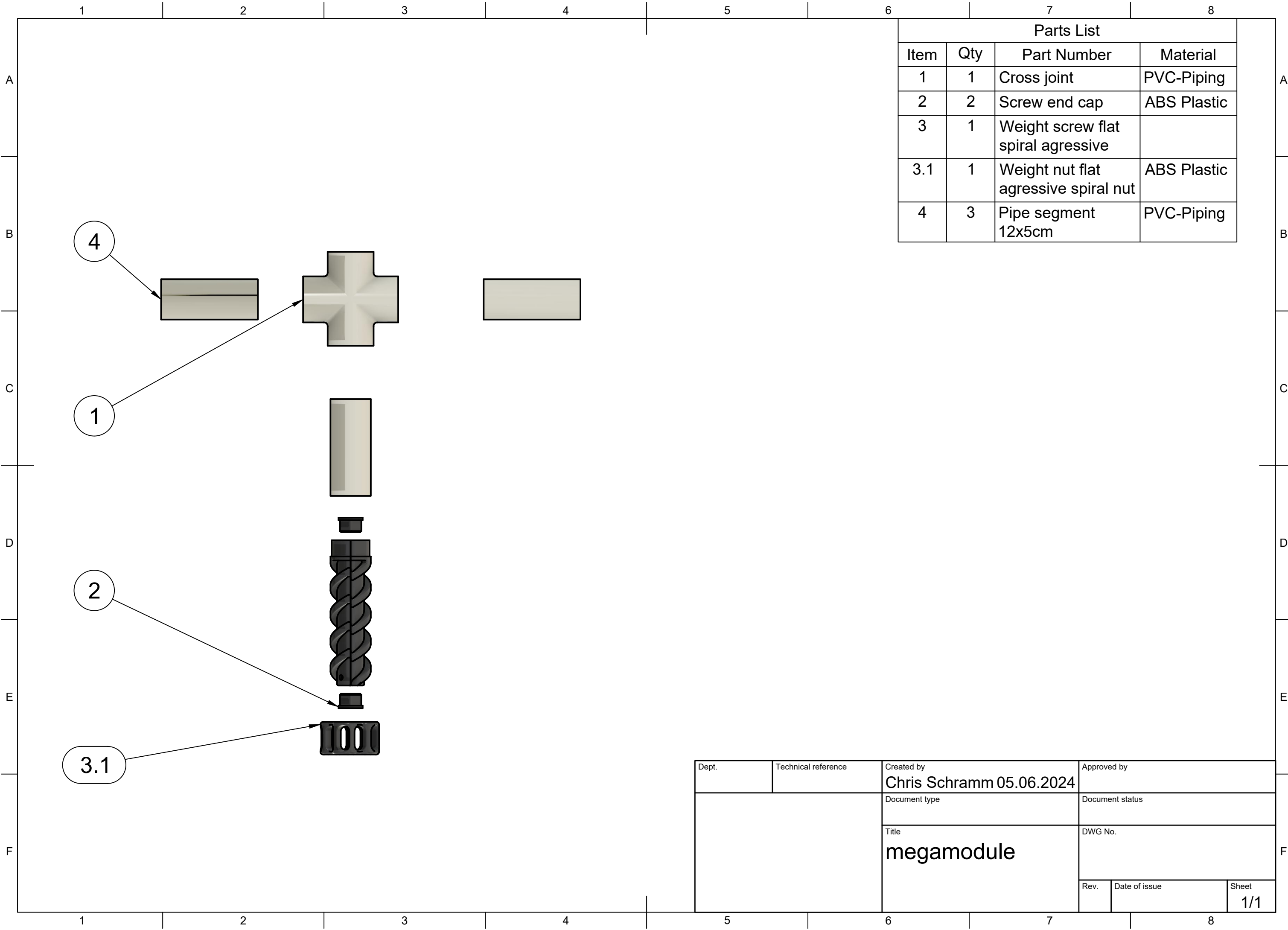
Dept.	Technical reference	Created by Taro Bamps	05.06.2024	Approved by
		Document type	Document status	
		Title Clip	DWG No.	
		Rev.	Date of issue	Sheet 7/8



Dept.	Technical reference	Created by Taro Bamps	05.06.2024	Approved by
		Document type	Document status	
		Title Clip	DWG No.	
Rev.	Date of issue	Sheet	8/8	

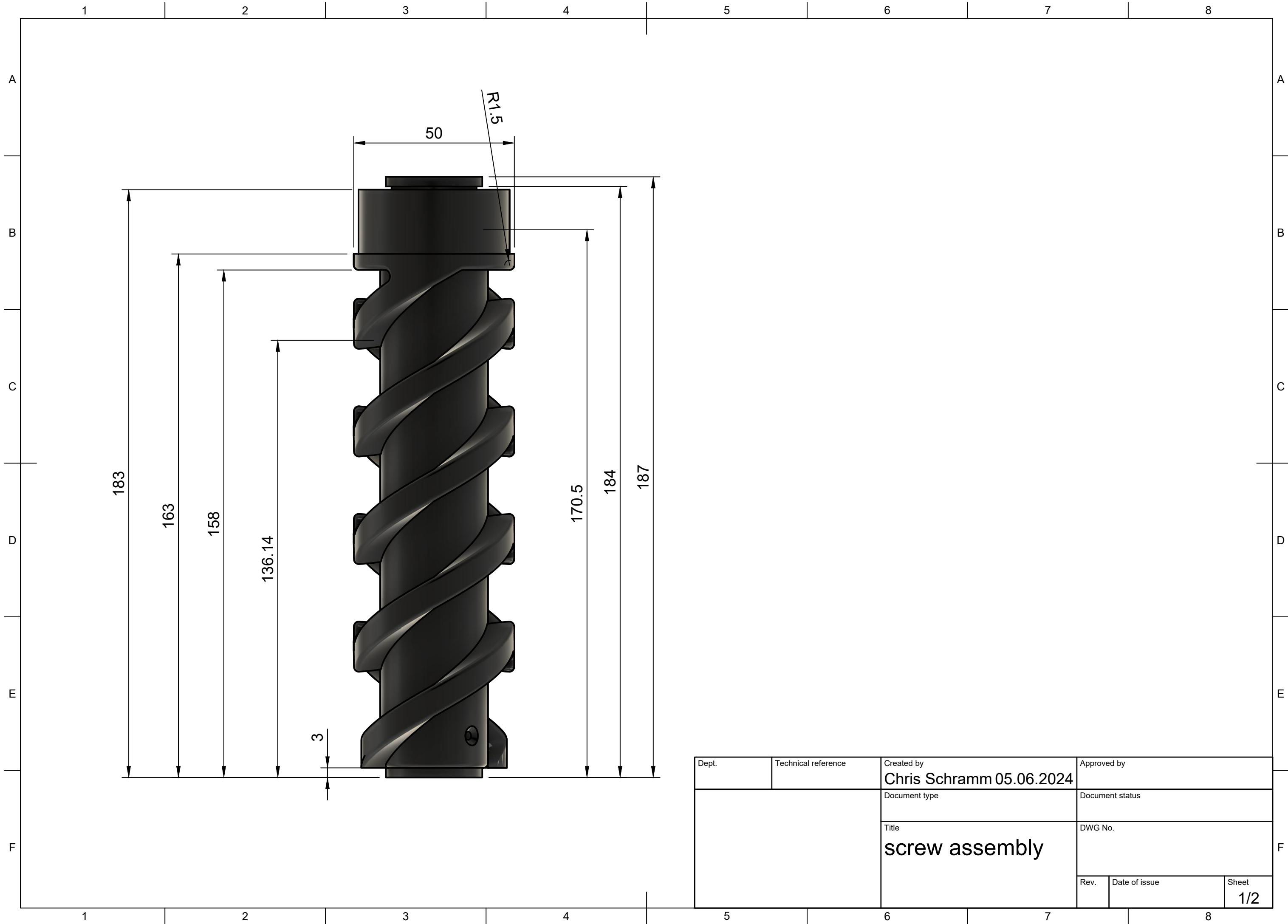


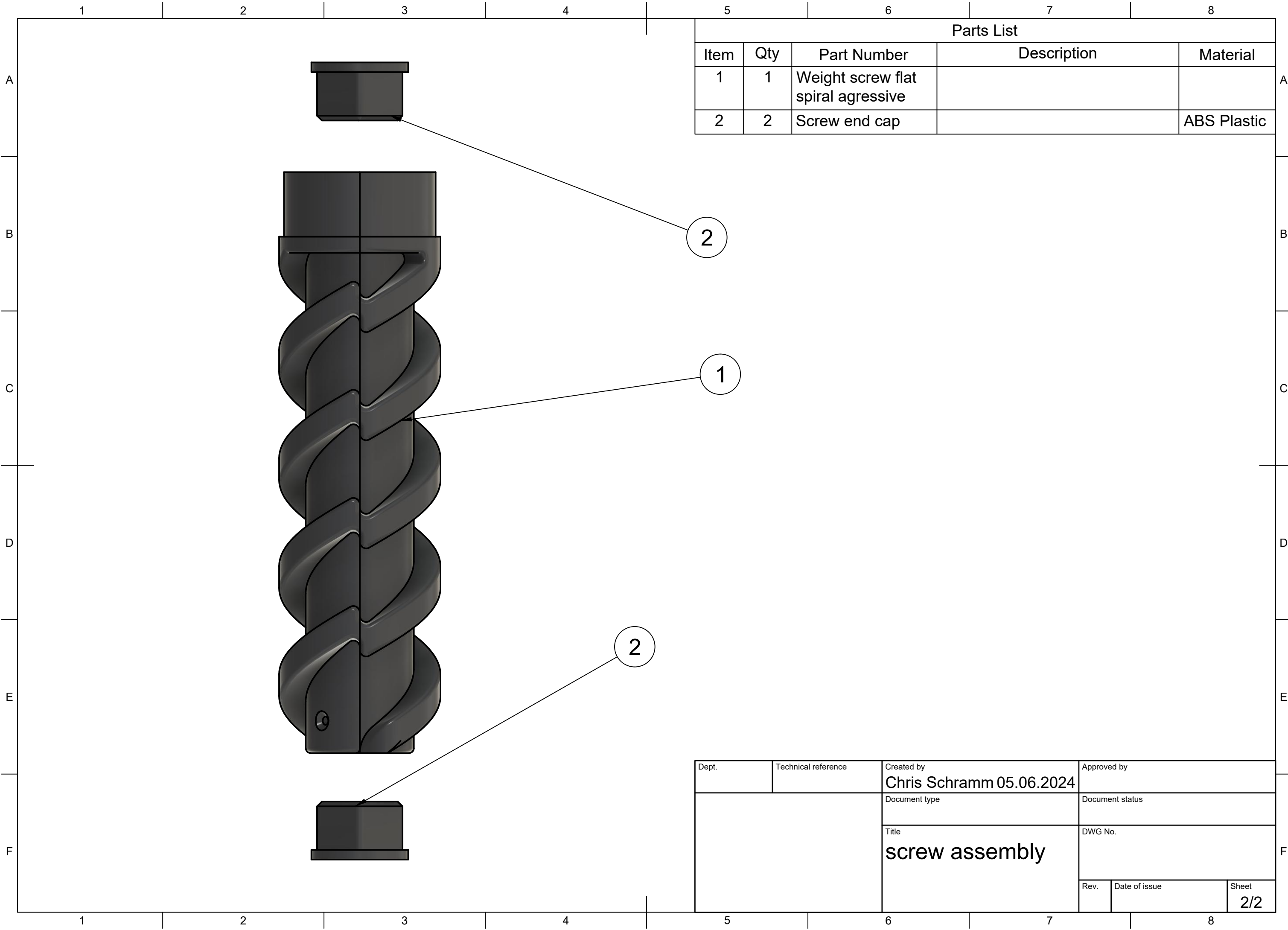
Dept.	Technical reference	Created by Taro Bamps 05/06/2024	Approved by
		Document type	Document status
		Title final foam	DWG No.
	Rev.	Date of issue	Sheet 1/1



Parts List			
Item	Qty	Part Number	Material
1	1	Cross joint	PVC-Piping
2	2	Screw end cap	ABS Plastic
3	1	Weight screw flat spiral aggressive	
3.1	1	Weight nut flat aggressive spiral nut	ABS Plastic
4	3	Pipe segment 12x5cm	PVC-Piping

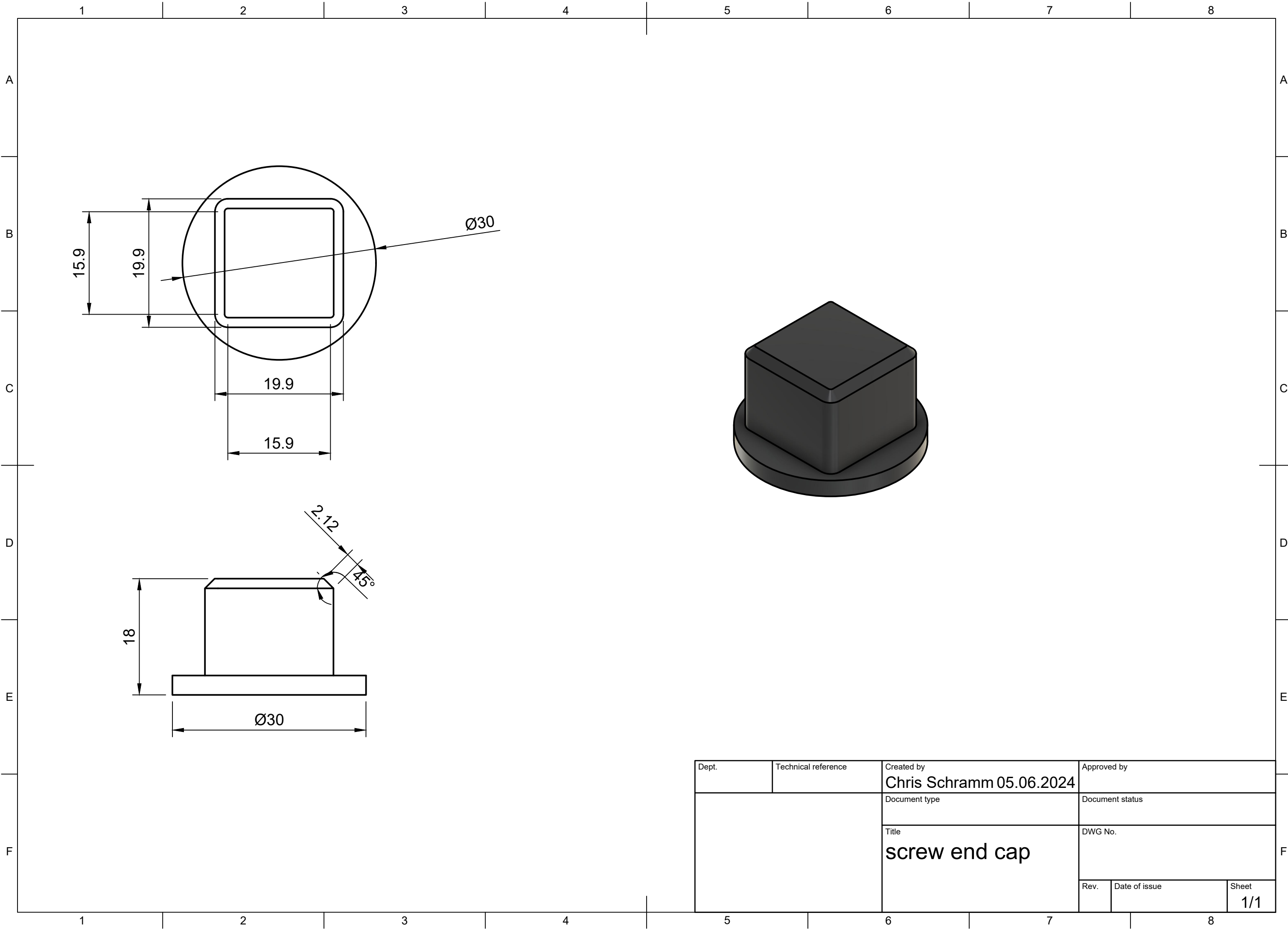
Dept.	Technical reference	Created by Chris Schramm 05.06.2024	Approved by
		Document type	Document status
		Title megamodule	DWG No.
Rev.	Date of issue	Sheet 1/1	



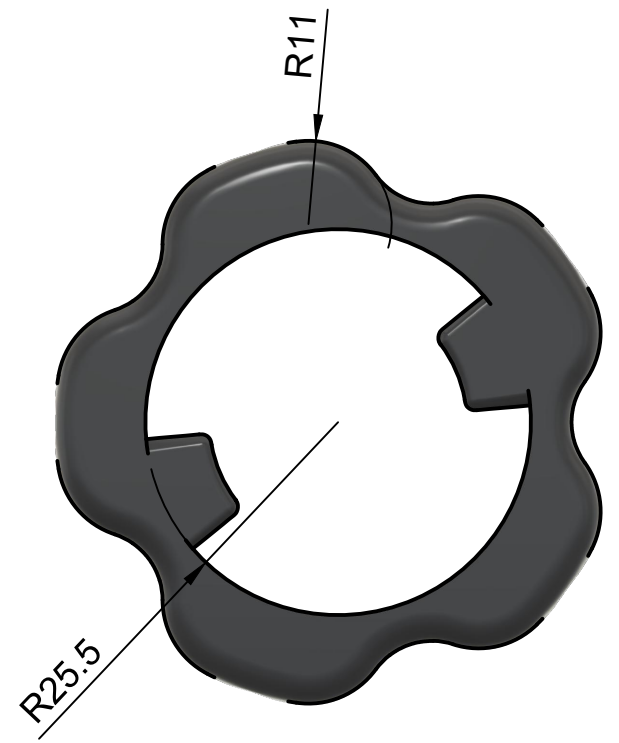
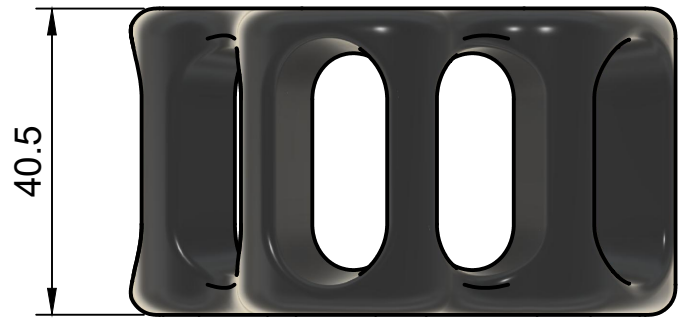
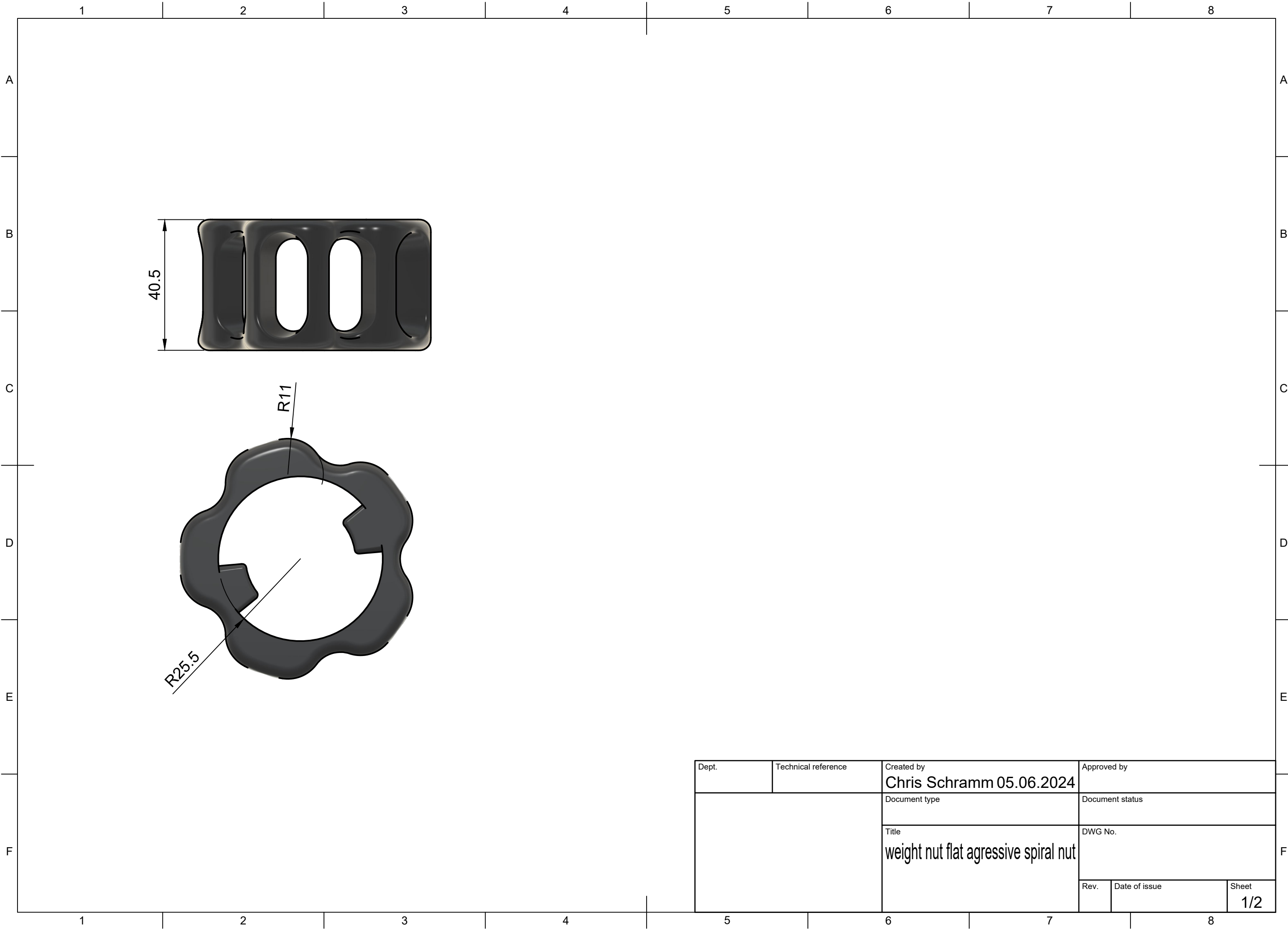


Parts List				
Item	Qty	Part Number	Description	Material
1	1	Weight screw flat spiral aggressive		
2	2	Screw end cap		ABS Plastic

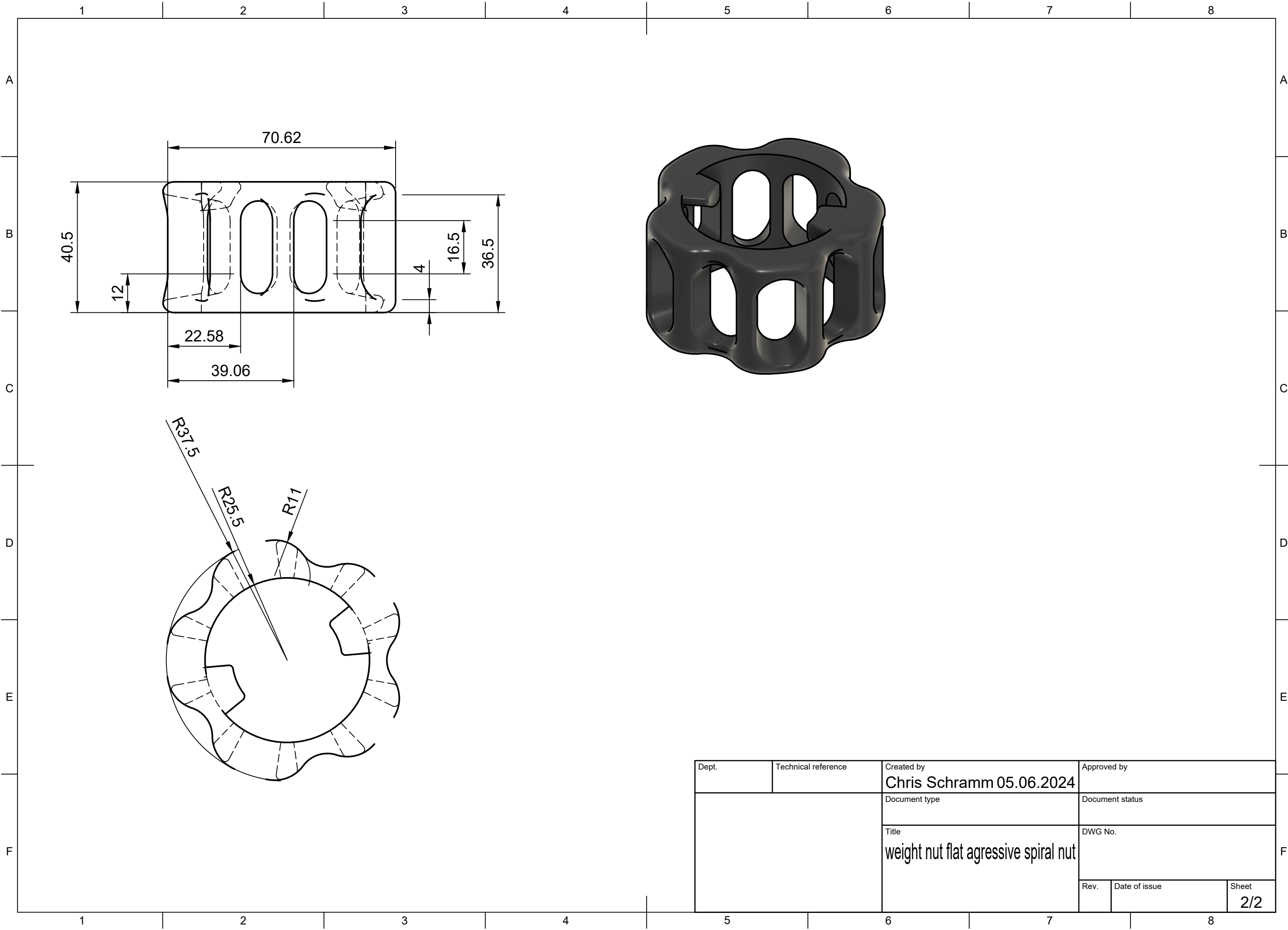
Dept.	Technical reference	Created by Chris Schramm 05.06.2024	Approved by
		Document type	Document status
		Title screw assembly	DWG No.
Rev.	Date of issue	Sheet 2/2	



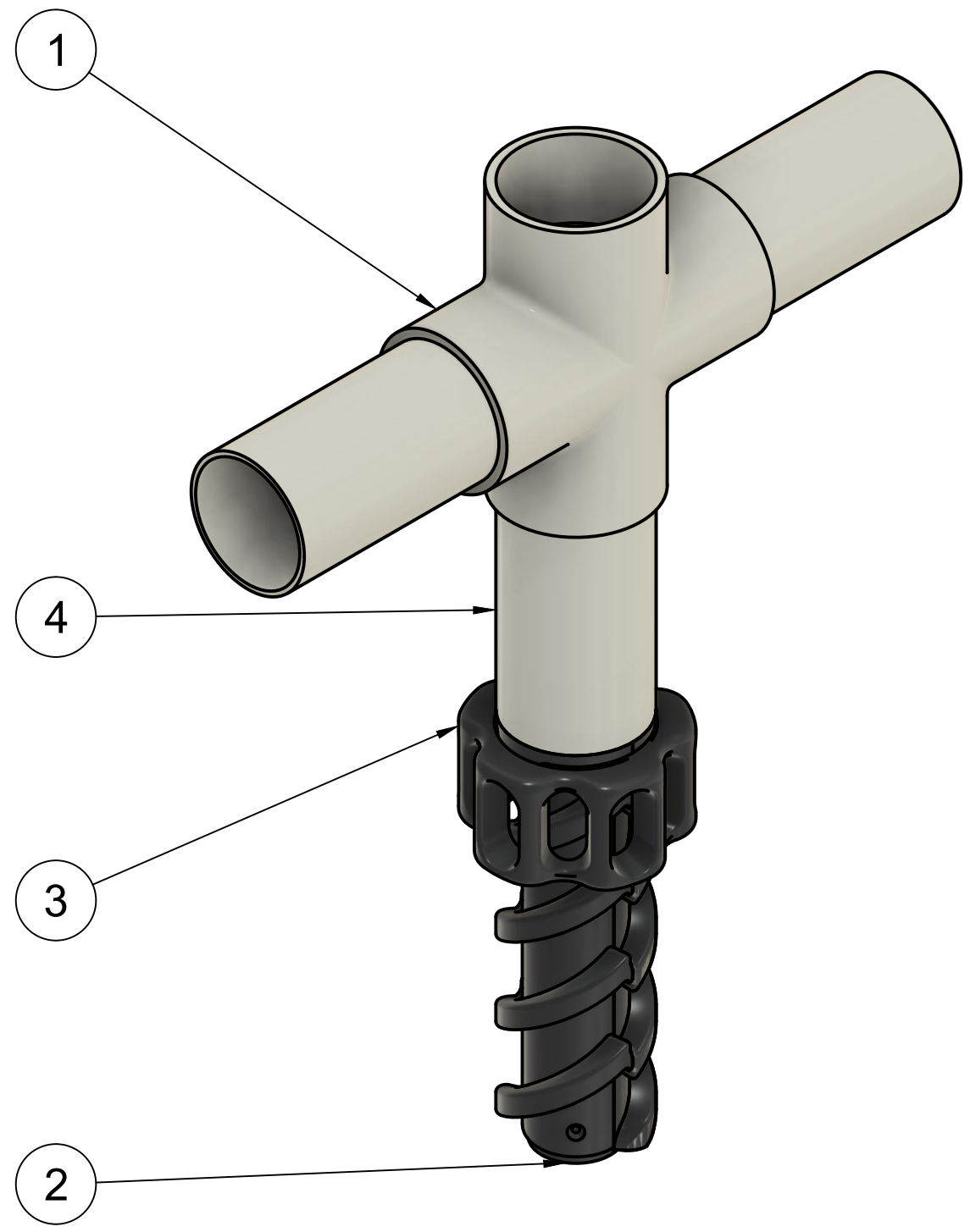
Dept.	Technical reference	Created by Chris Schramm 05.06.2024	Approved by
		Document type	Document status
		Title screw end cap	DWG No.
		Rev.	Date of issue
		Sheet 1/1	



Dept.	Technical reference	Created by Chris Schramm 05.06.2024	Approved by	
		Document type	Document status	
		Title weight nut flat aggressive spiral nut	DWG No.	
		Rev.	Date of issue	Sheet 1/2

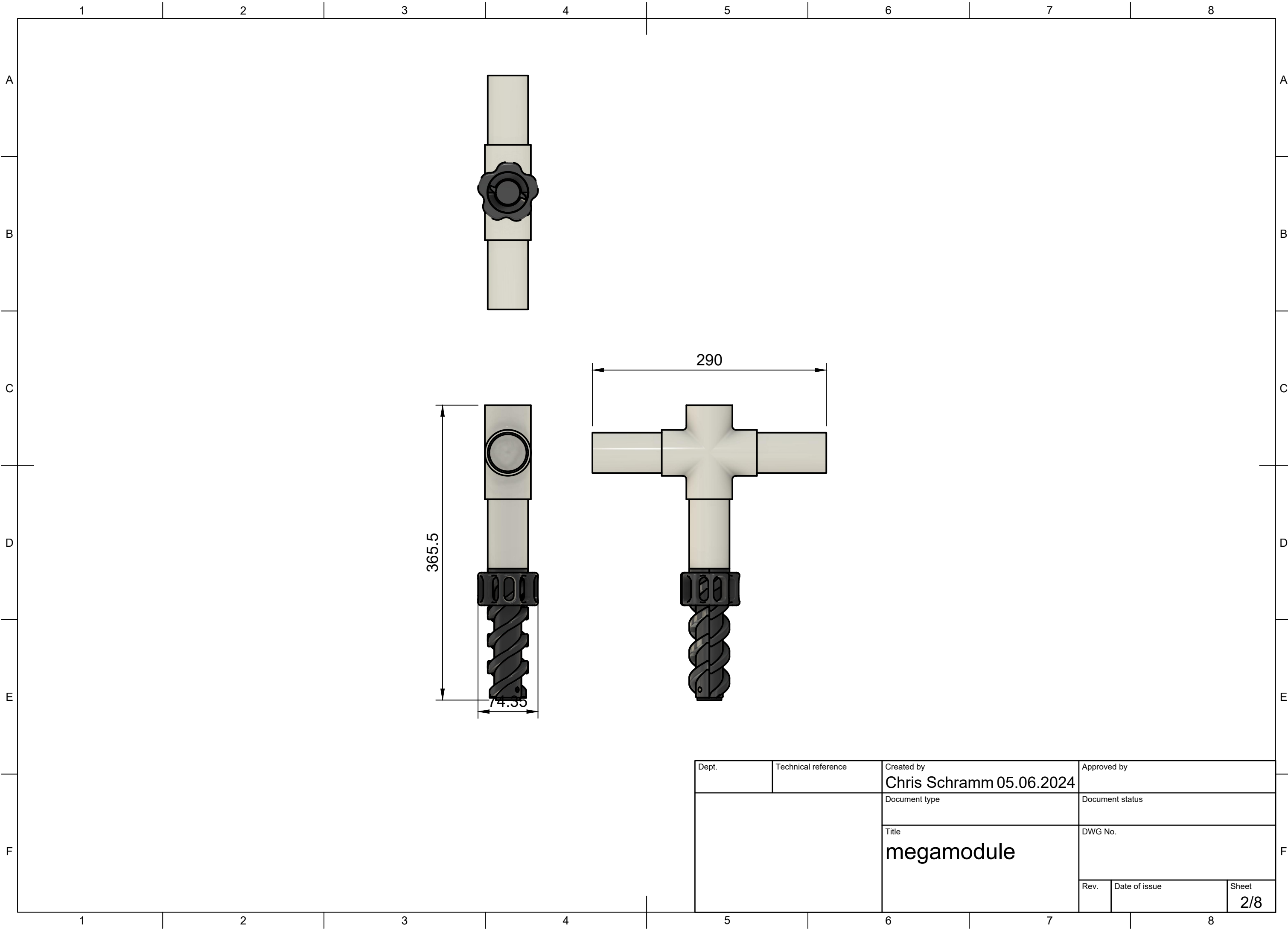


Dept.	Technical reference	Created by Chris Schramm 05.06.2024	Approved by	
		Document type	Document status	
		Title weight nut flat aggressive spiral nut	DWG No.	
		Rev.	Date of issue	Sheet 2/2

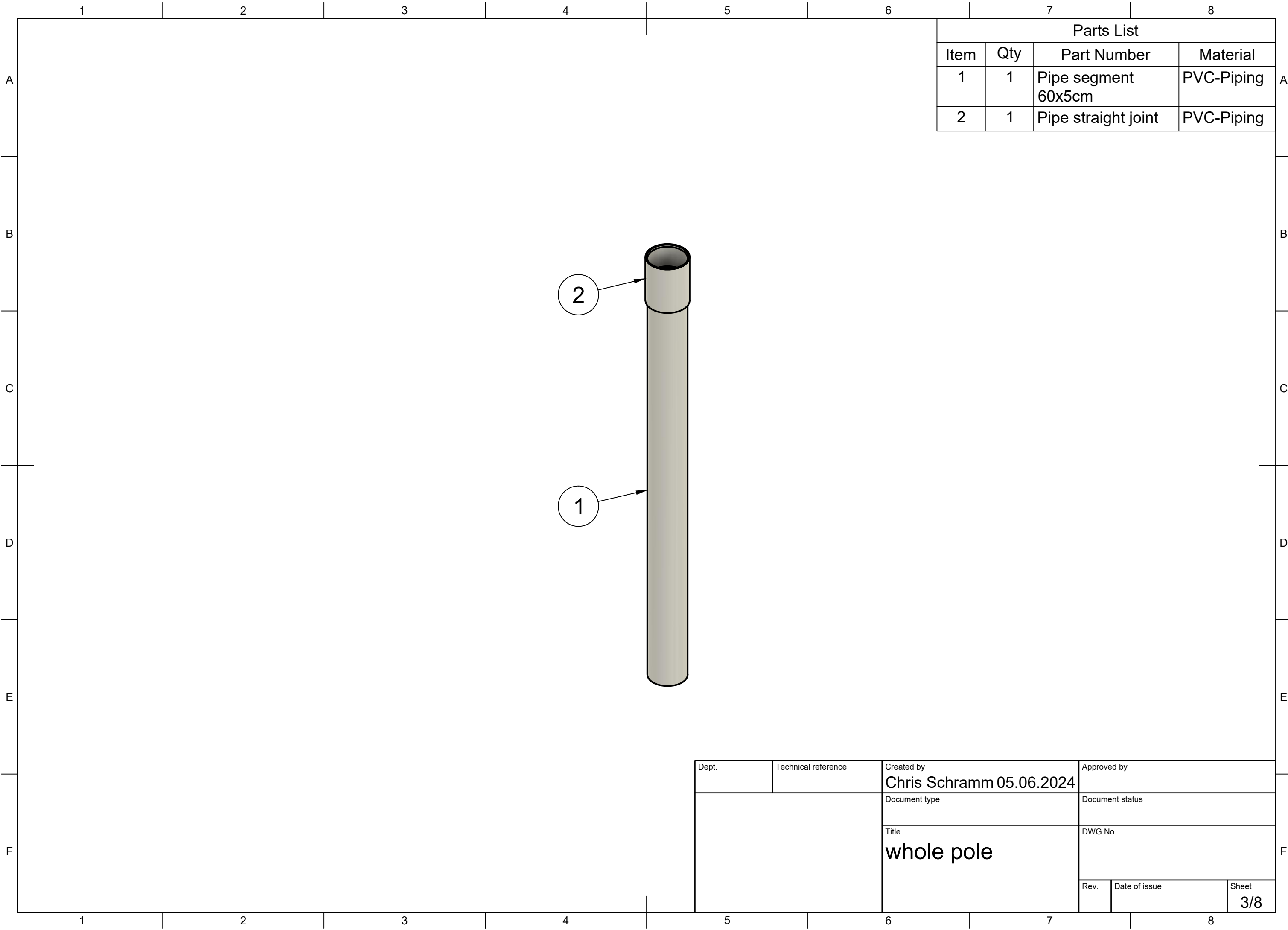


Parts List			
Item	Qty	Part Number	Material
1	1	Cross joint	PVC-Piping
2	2	Screw end cap	ABS Plastic
3	1	Weight screw flat spiral aggressive	
4	3	Pipe segment 12x5cm	PVC-Piping

Dept.	Technical reference	Created by Chris Schramm 05.06.2024	Approved by	
		Document type	Document status	
		Title megamodule	DWG No.	
		Rev.	Date of issue	Sheet 1/8

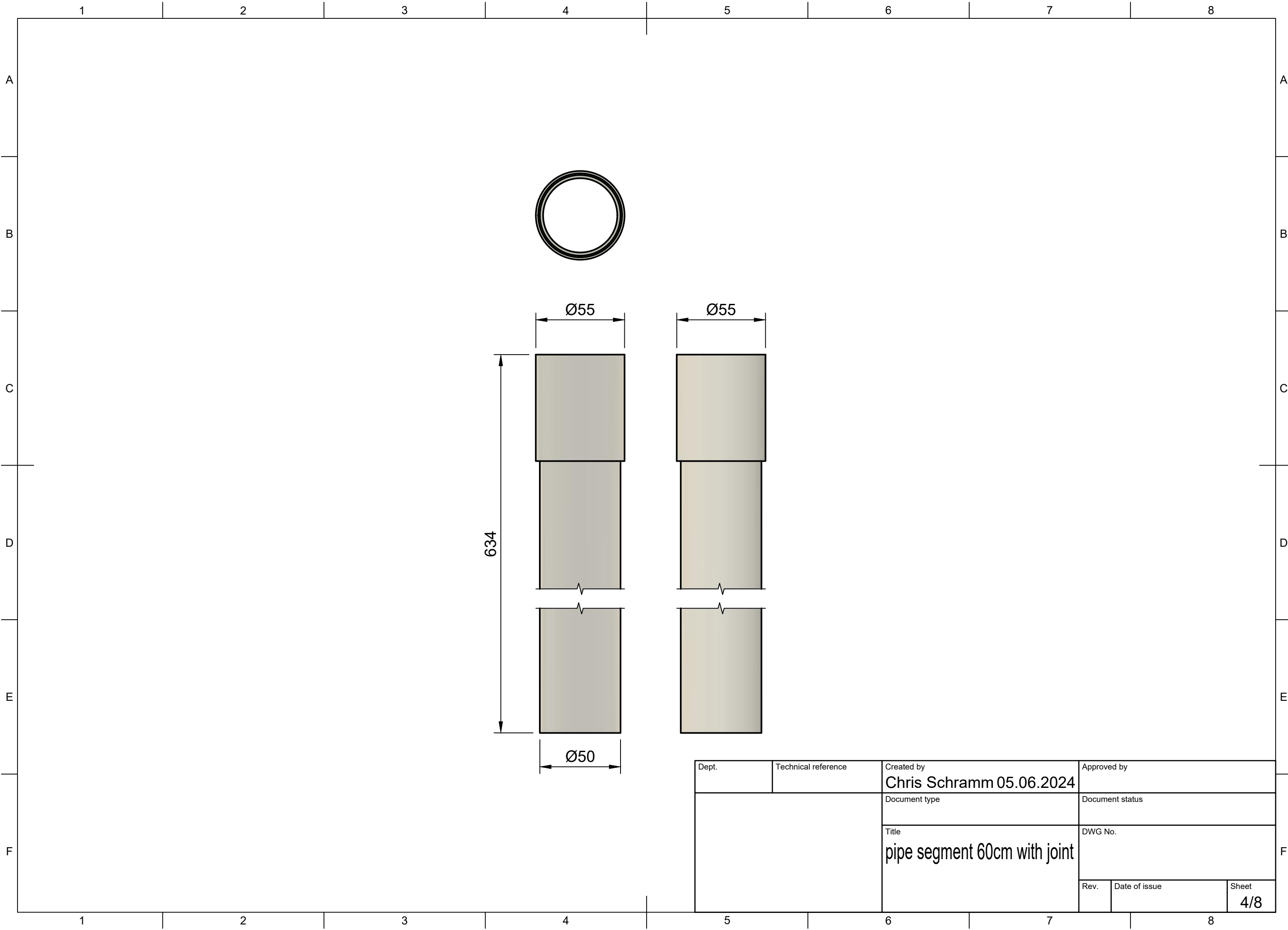


Dept.	Technical reference	Created by Chris Schramm 05.06.2024	Approved by
		Document type	Document status
		Title megamodule	DWG No.
		Rev.	Date of issue
		Sheet 2/8	

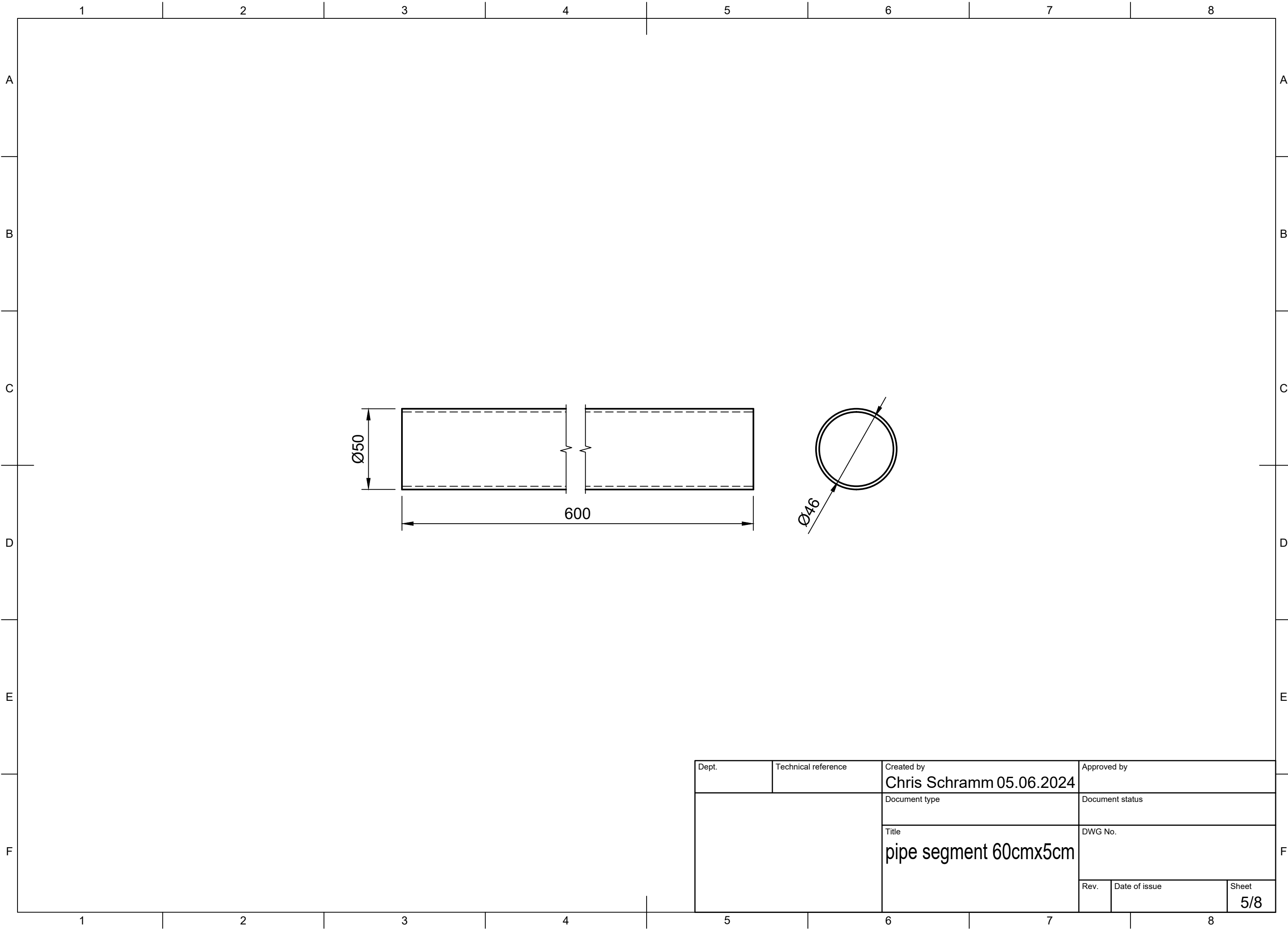


Parts List			
Item	Qty	Part Number	Material
1	1	Pipe segment 60x5cm	PVC-Piping
2	1	Pipe straight joint	PVC-Piping

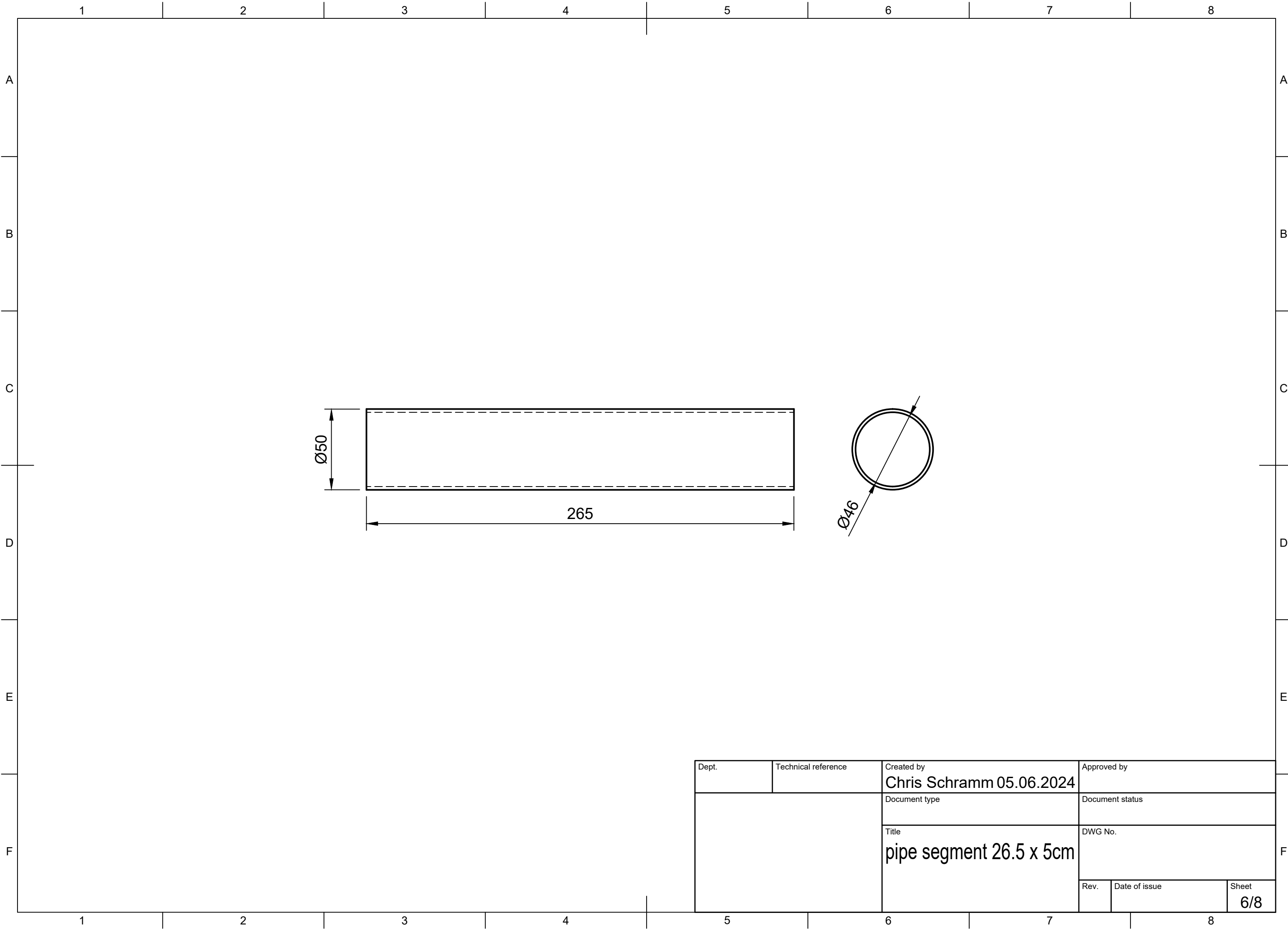
Dept.	Technical reference	Created by Chris Schramm 05.06.2024	Approved by	
		Document type	Document status	
		Title whole pole		DWG No.
		Rev.	Date of issue	Sheet 3/8



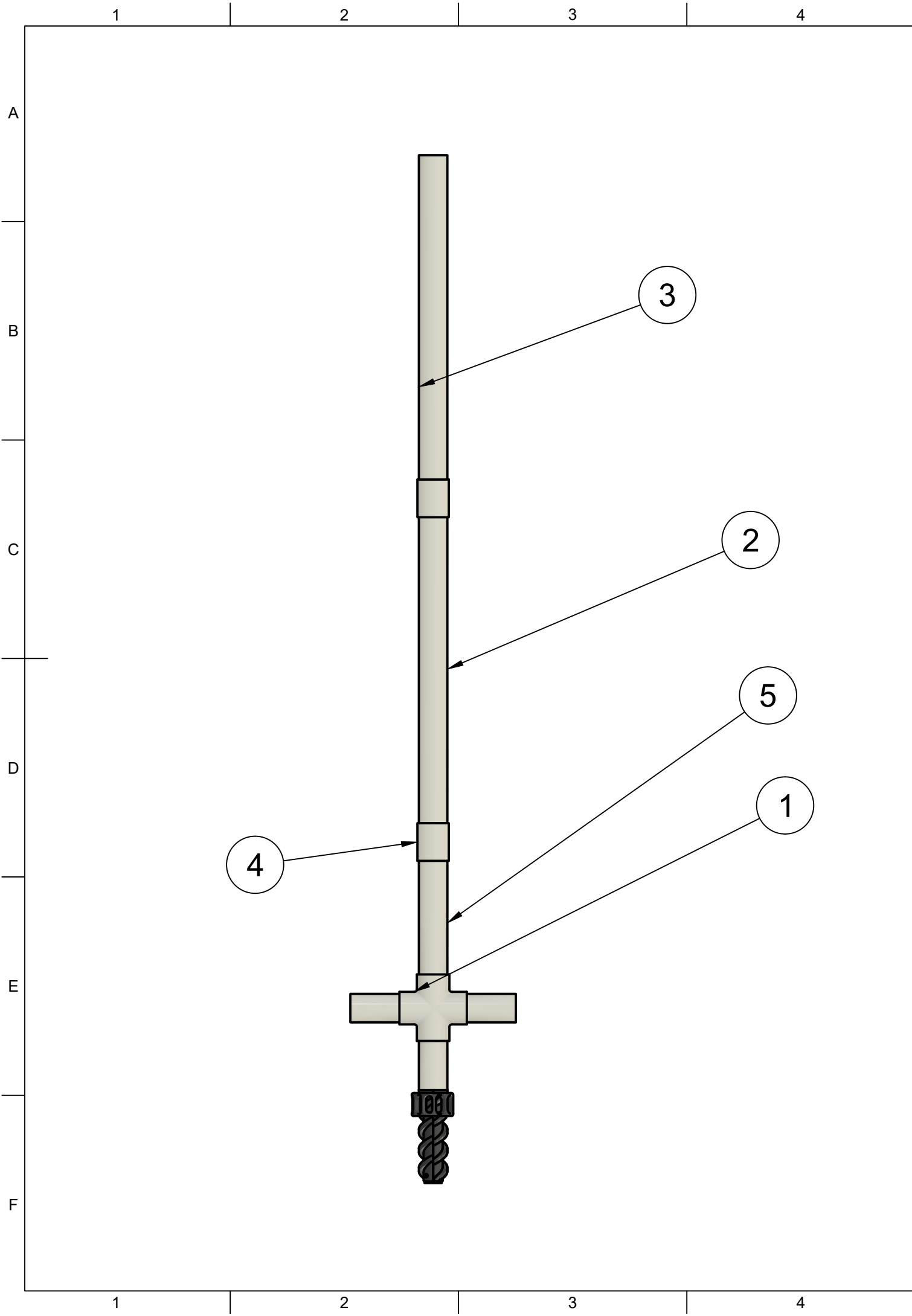
Dept.	Technical reference	Created by Chris Schramm 05.06.2024	Approved by	
		Document type	Document status	
		Title pipe segment 60cm with joint	DWG No.	
	Rev.	Date of issue	Sheet	4/8



Dept.	Technical reference	Created by Chris Schramm 05.06.2024	Approved by
		Document type	Document status
		Title pipe segment 60cmx5cm	DWG No.
		Rev.	Date of issue
		Sheet 5/8	

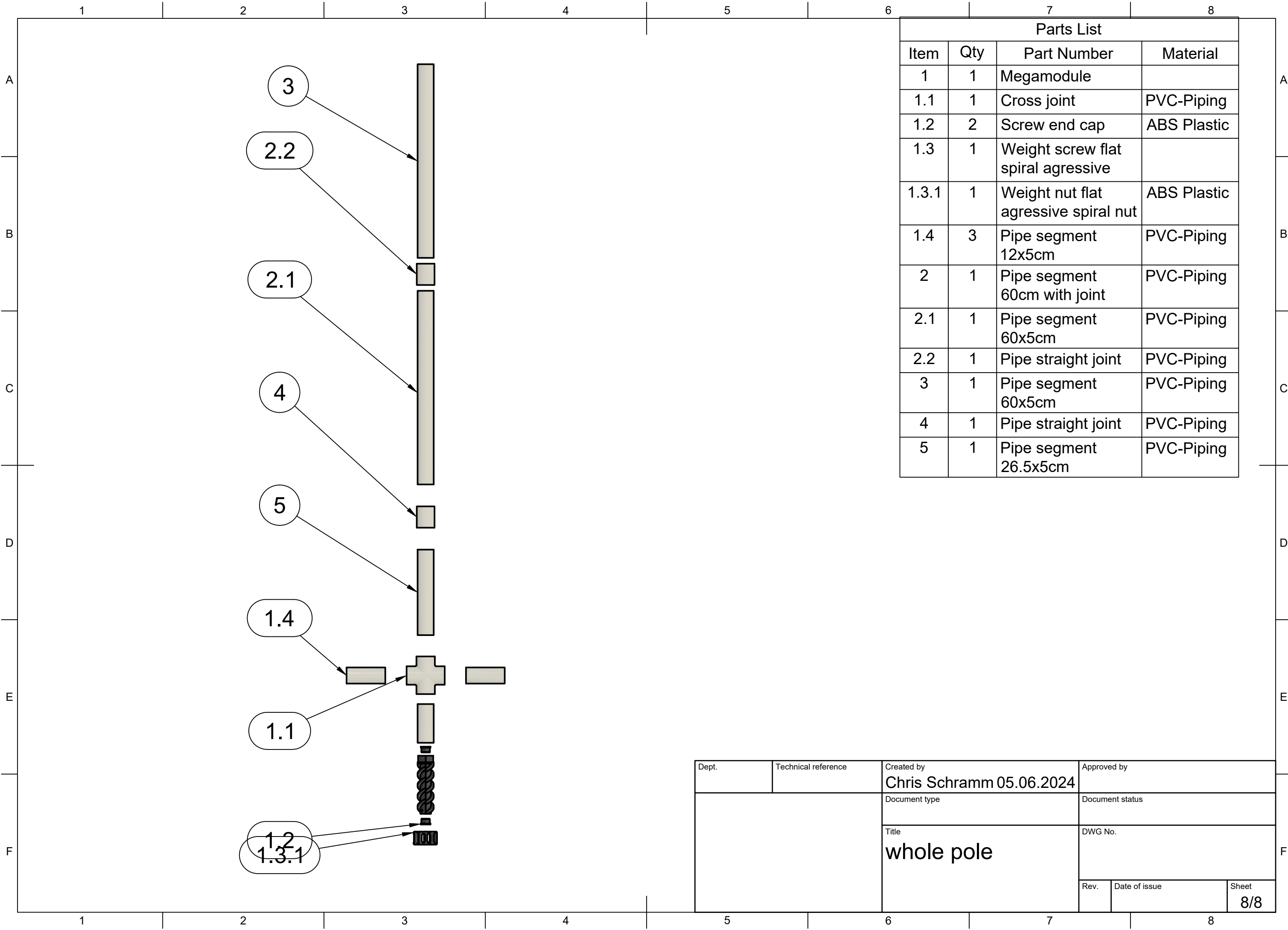


Dept.	Technical reference	Created by Chris Schramm 05.06.2024	Approved by
		Document type	Document status
		Title pipe segment 26.5 x 5cm	DWG No.
		Rev.	Date of issue
		Sheet 6/8	



Parts List				
Item	Qty	Part Number	Description	Material
1	1	Megamodule		
2	1	Pipe segment 60cm with joint		PVC-Piping
3	1	Pipe segment 60x5cm		PVC-Piping
4	1	Pipe straight joint		PVC-Piping
5	1	Pipe segment 26.5x5cm		PVC-Piping

Dept.	Technical reference	Created by Chris Schramm 05.06.2024	Approved by	
		Document type	Document status	
		Title whole pole	DWG No.	
Rev.	Date of issue	Sheet 7/8		



Parts List			
Item	Qty	Part Number	Material
1	1	Megamodule	
1.1	1	Cross joint	PVC-Piping
1.2	2	Screw end cap	ABS Plastic
1.3	1	Weight screw flat spiral aggressive	
1.3.1	1	Weight nut flat aggressive spiral nut	ABS Plastic
1.4	3	Pipe segment 12x5cm	PVC-Piping
2	1	Pipe segment 60cm with joint	PVC-Piping
2.1	1	Pipe segment 60x5cm	PVC-Piping
2.2	1	Pipe straight joint	PVC-Piping
3	1	Pipe segment 60x5cm	PVC-Piping
4	1	Pipe straight joint	PVC-Piping
5	1	Pipe segment 26.5x5cm	PVC-Piping

Dept.	Technical reference	Created by Chris Schramm 05.06.2024	Approved by
		Document type	Document status
		Title whole pole	DWG No.
Rev.	Date of issue		Sheet 8/8