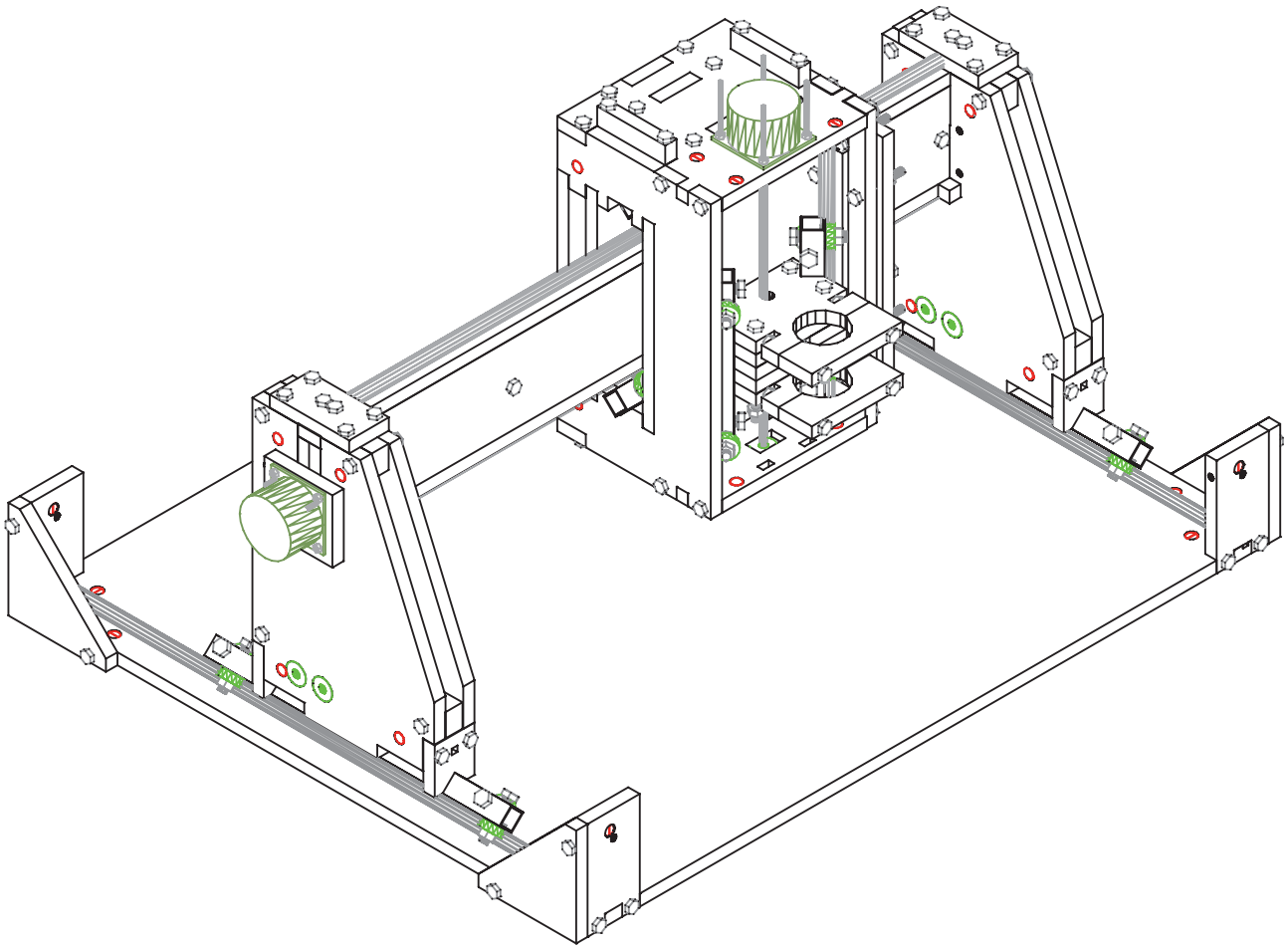


Three Axis CNC Machine Assembly Instructions



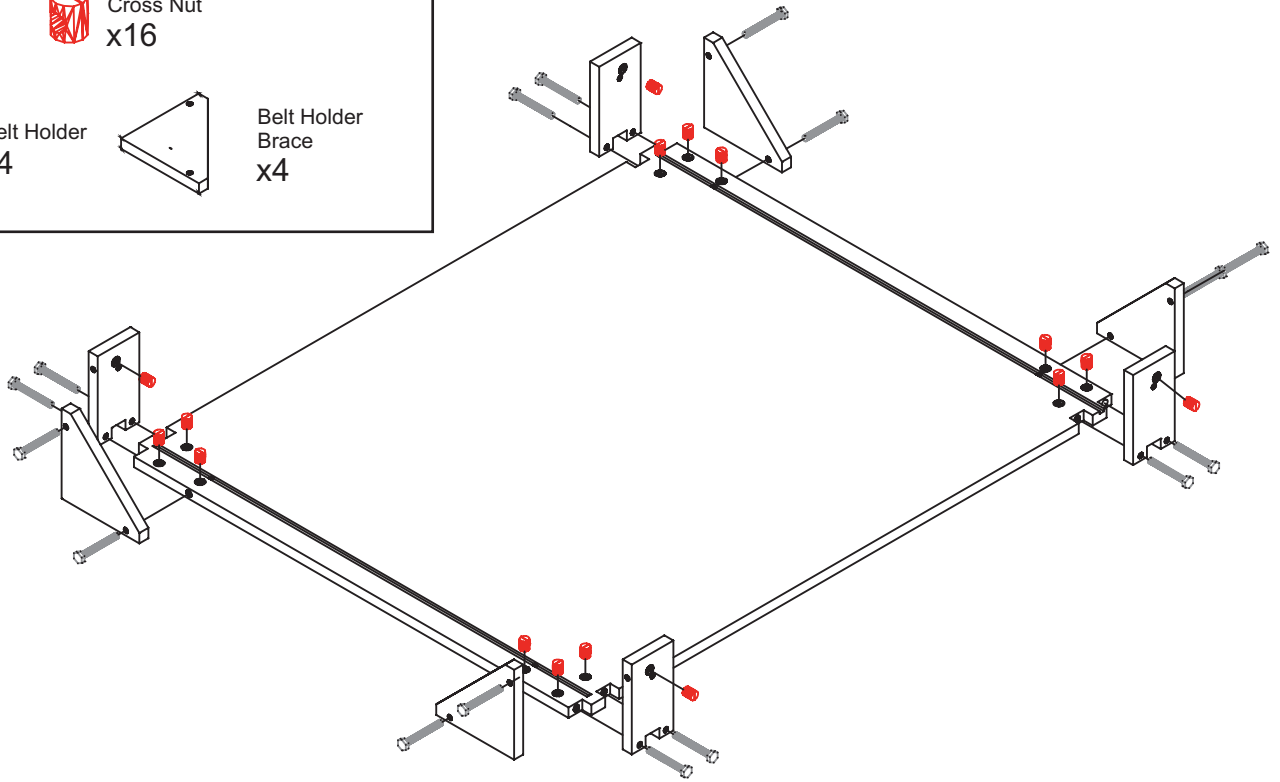
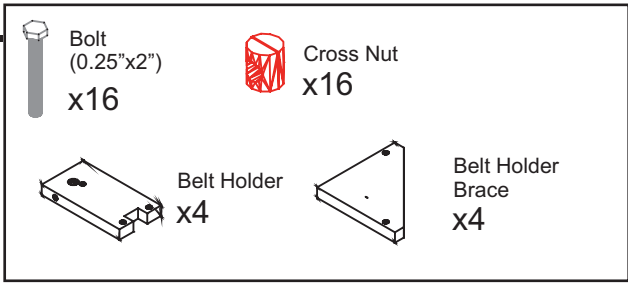
1.

Bolt
(0.25"x2")
x16

Cross Nut
x16

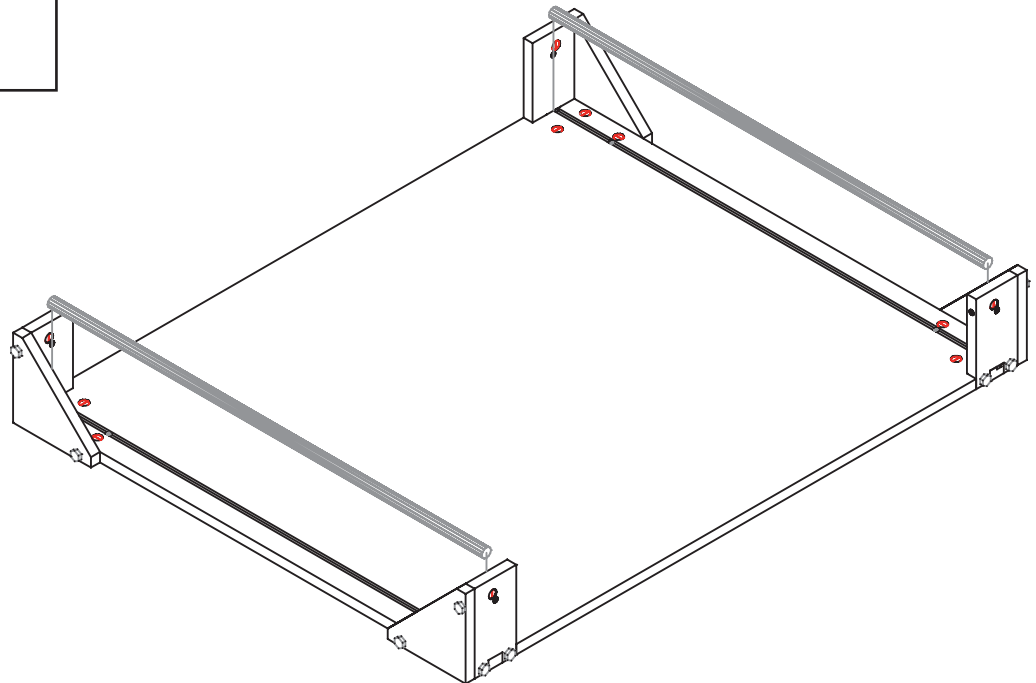
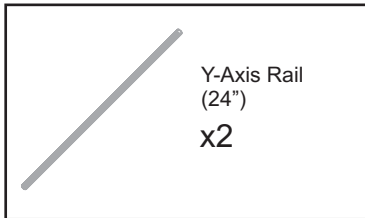
Belt Holder
x4

Belt Holder
Brace
x4







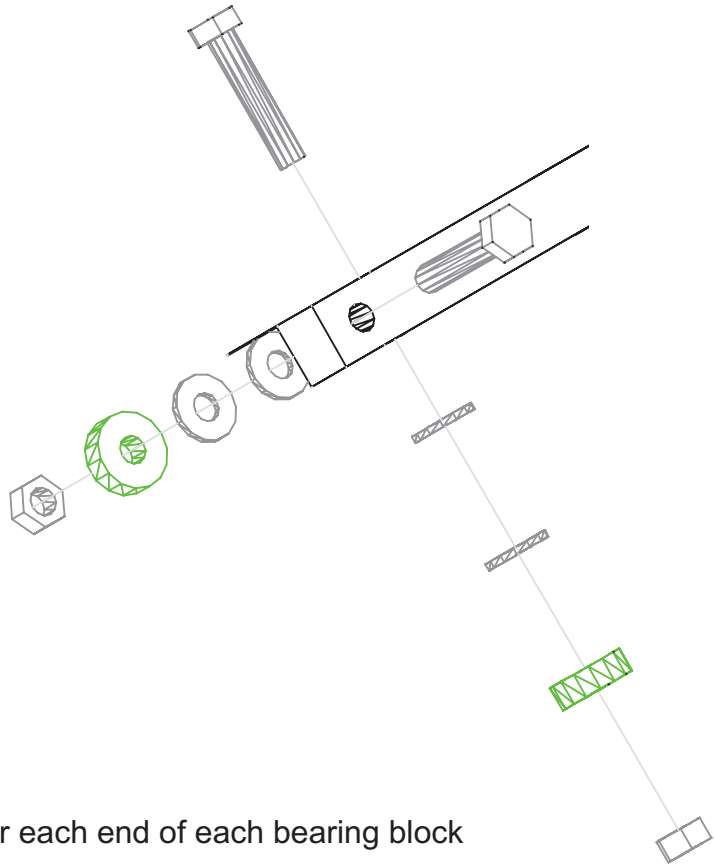
2.

Y-Axis Rail
(24")
x2







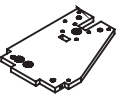
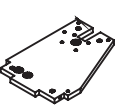
3.

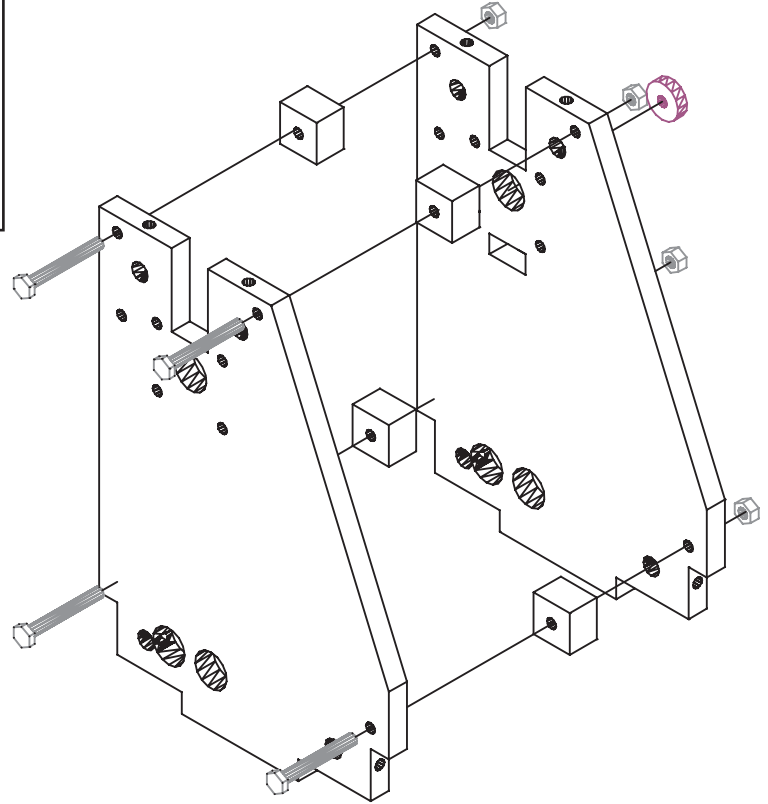
	Bolt (8mmx55mm) x24		Skate Bearing (8mm ID 22mm OD) x24
	Nut (8mm) x24		Washer (8mm) x48








Note: Repeat this step 12 times once for each end of each bearing block

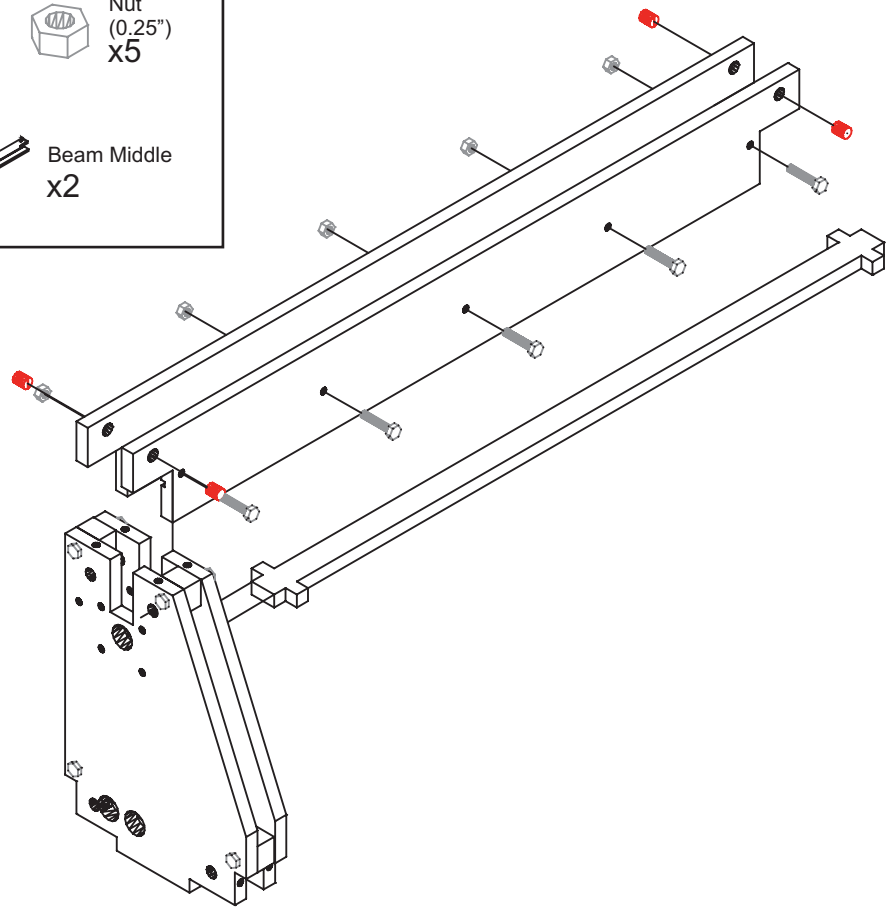
4.

	Bolt (0.25"x2") x4		Nut (0.25") x4		Imperial Bearing (0.25" ID 0.875" OD) x1
	Spacer x4		Left Cart Inside x1		Left Cart Outside x1






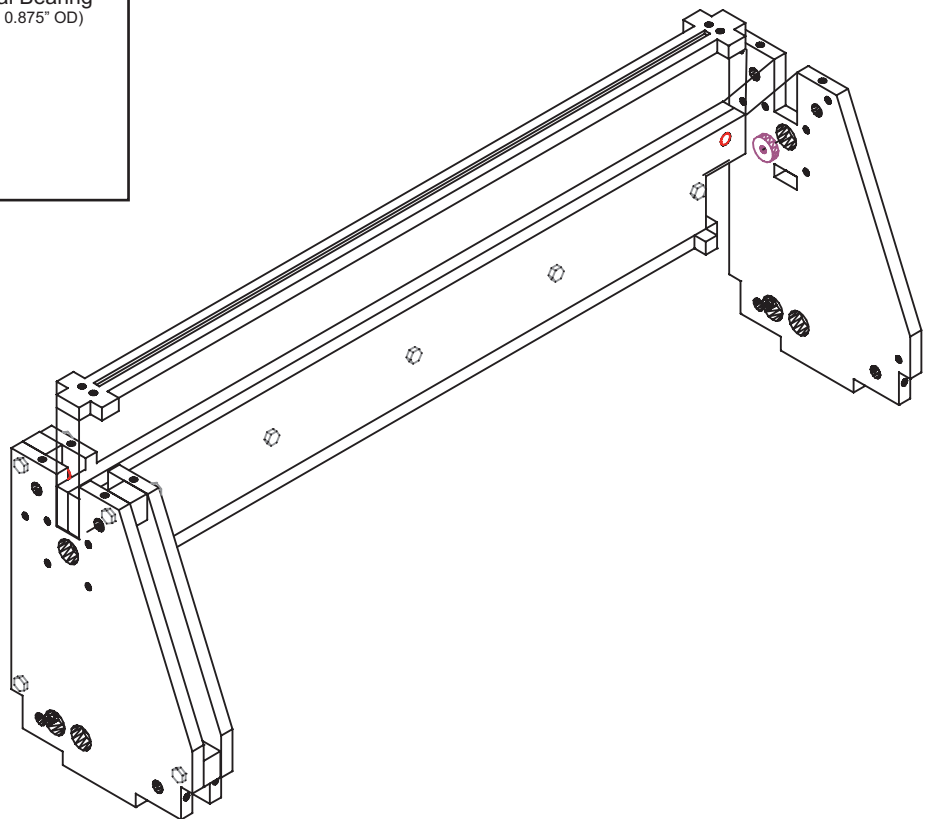
5.

	Bolt (0.25"x1.25") x5		Cross Nut x4		Nut (0.25") x5
	Beam Bottom x1		Beam Middle x2		



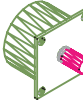





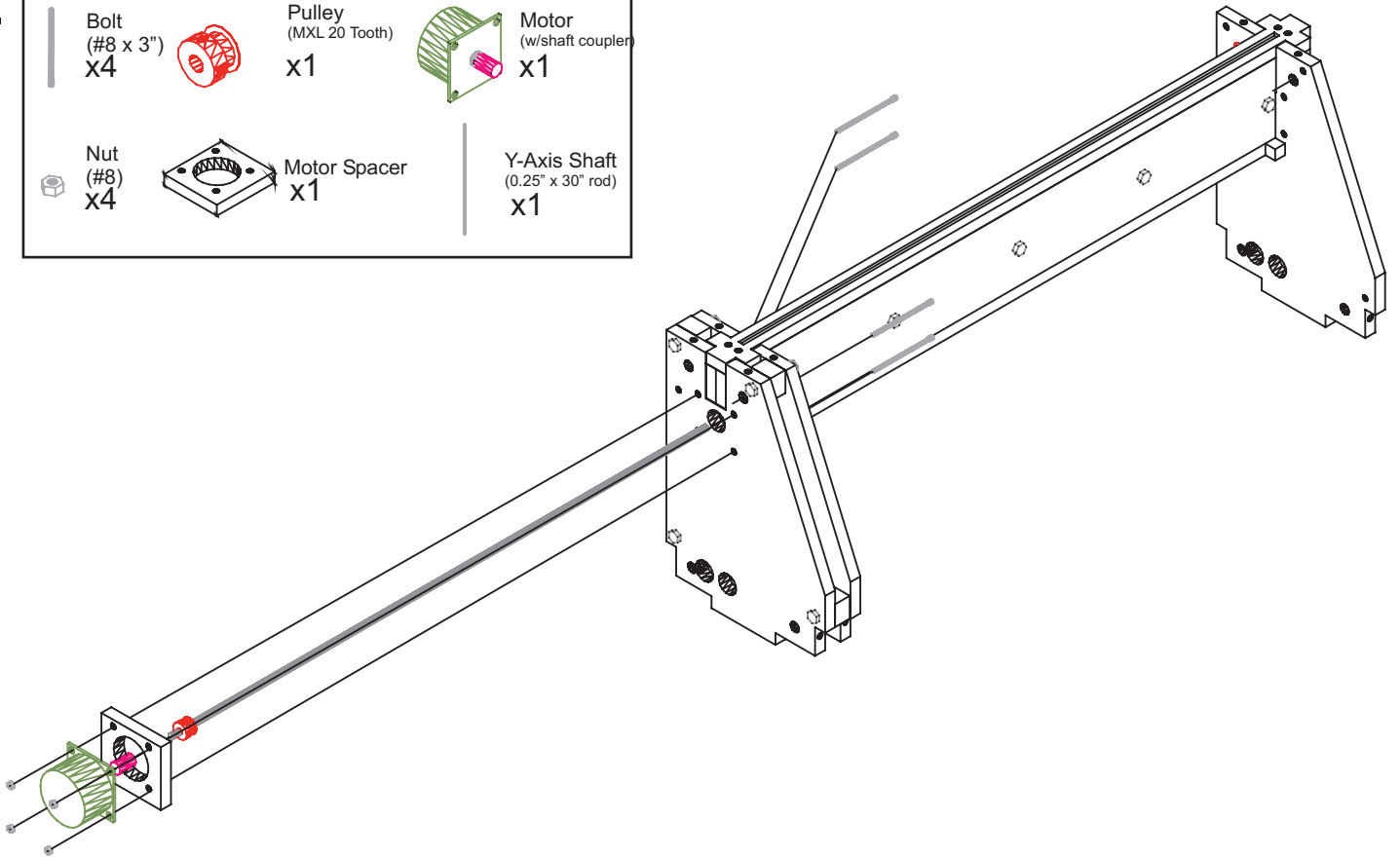
6.

	Beam Top x1		Imperial Bearing (0.25" ID 0.875" OD) x1
	Right Cart Inside x1		








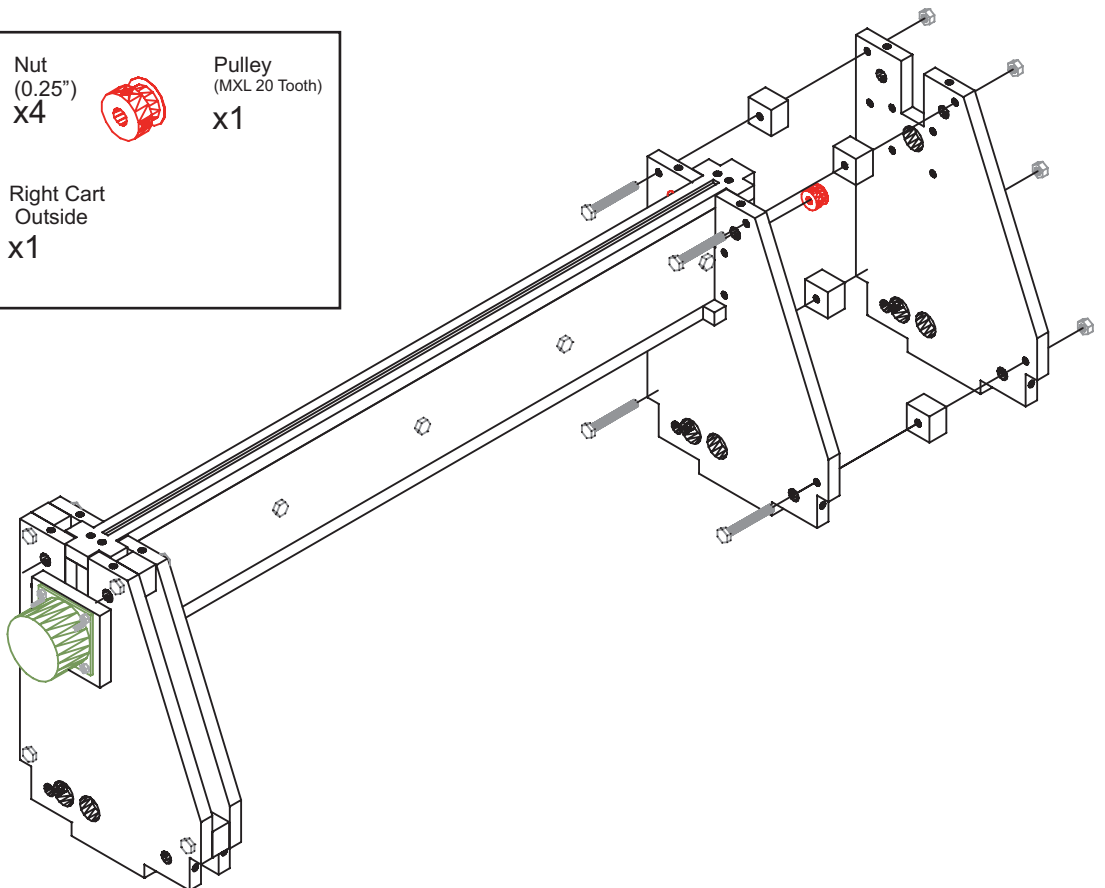
7.

 Bolt (#8 x 3") x4	 Pulley (MXL 20 Tooth) x1	 Motor (w/shaft coupler) x1
 Nut (#8) x4	 Motor Spacer x1	 Y-Axis Shaft (0.25" x 30" rod) x1











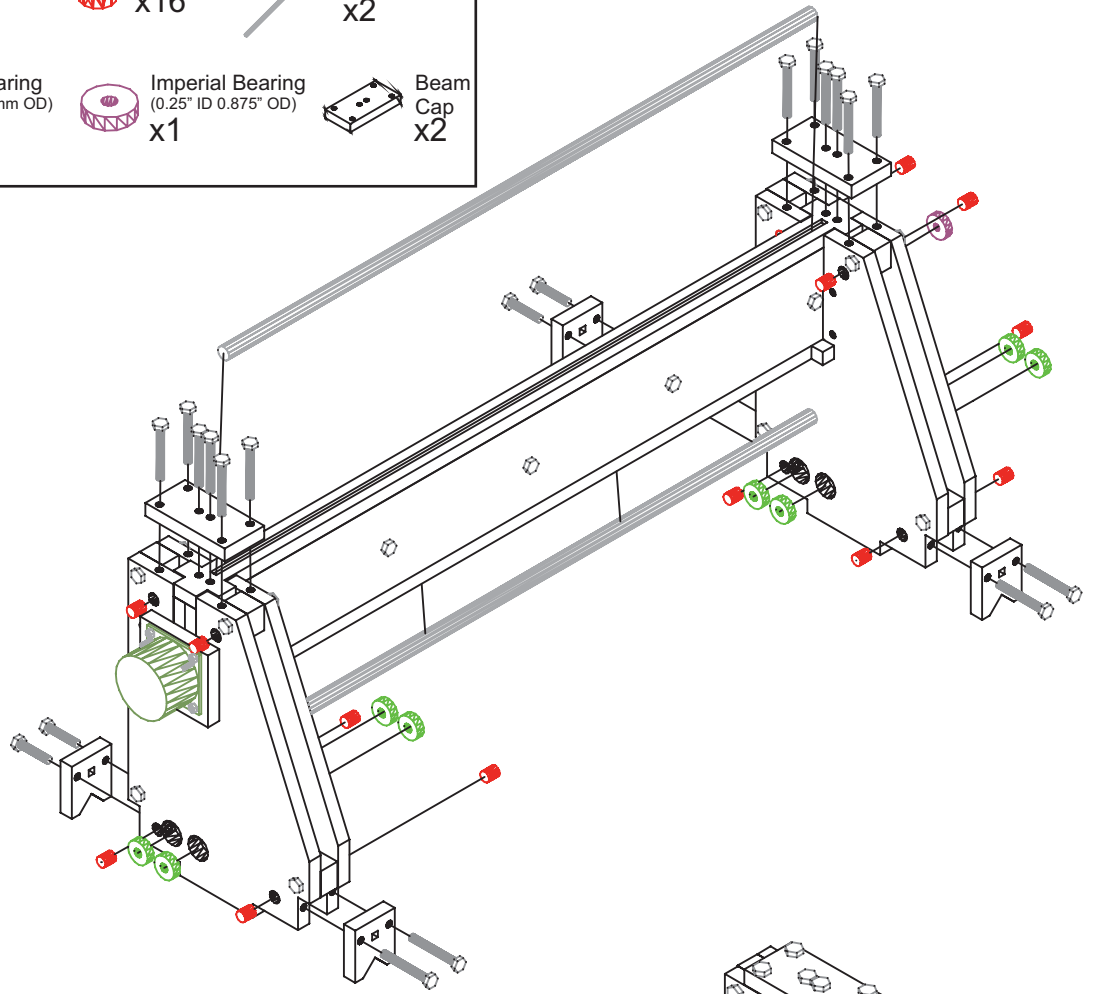
8.

 Bolt (0.25"x2") x4	 Nut (0.25") x4	 Pulley (MXL 20 Tooth) x1
 Spacer x4	 Right Cart Outside x1	

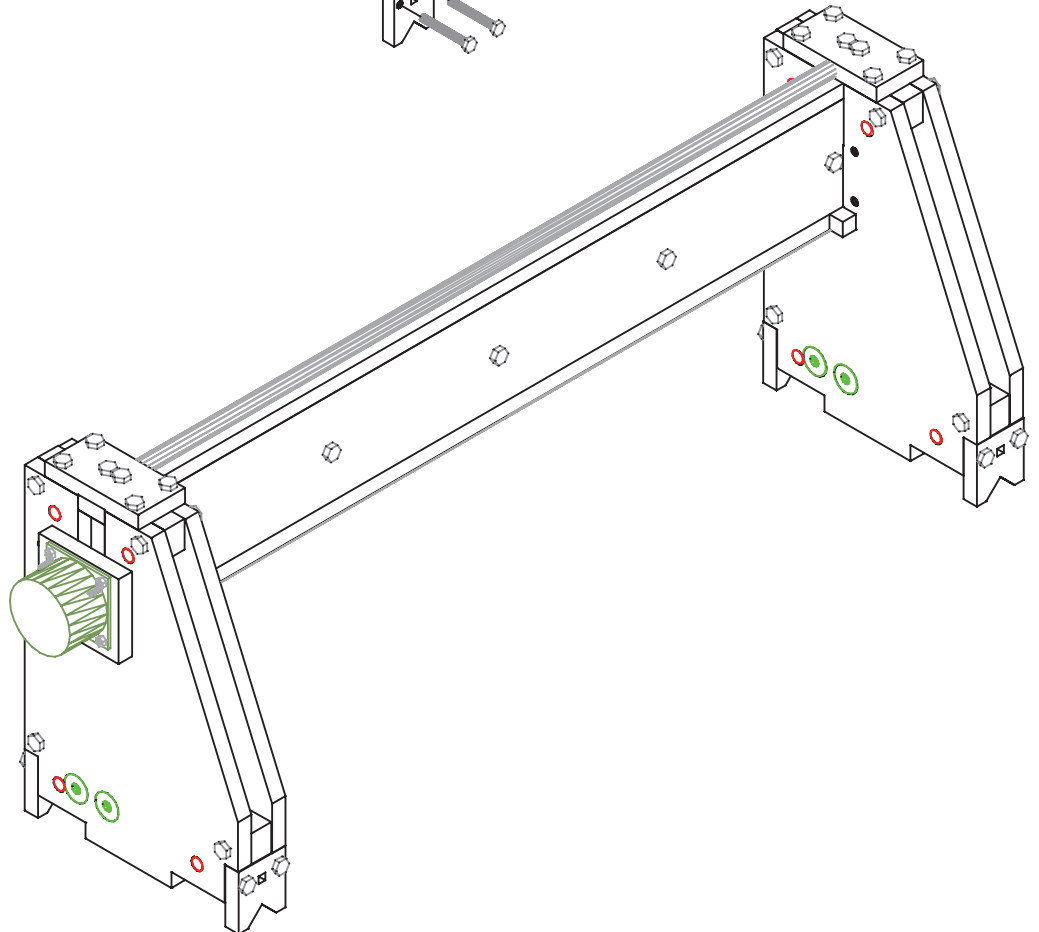


9.

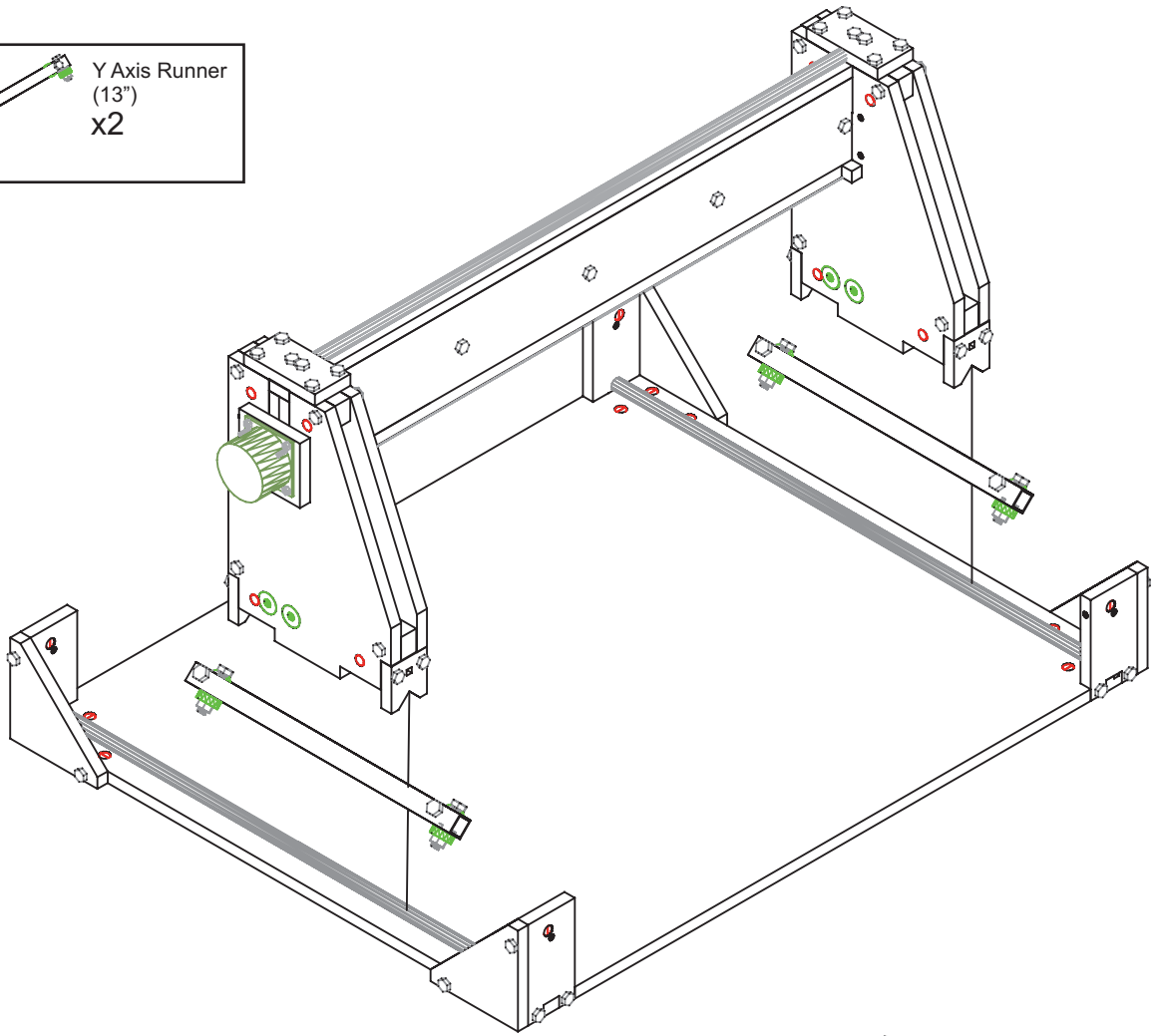
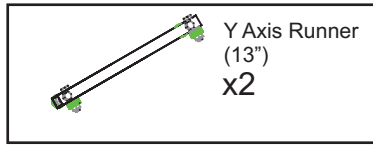
 Bolt (0.25"x2") x16	 Y-Block Holder x4	 Cross Nut x16	 X-Axis Rail (26") x2
 Bolt (0.25"x1.25") x4	 Skate Bearing (8mm ID 22mm OD) x8	 Imperial Bearing (0.25" ID 0.875" OD) x1	 Beam Cap x2



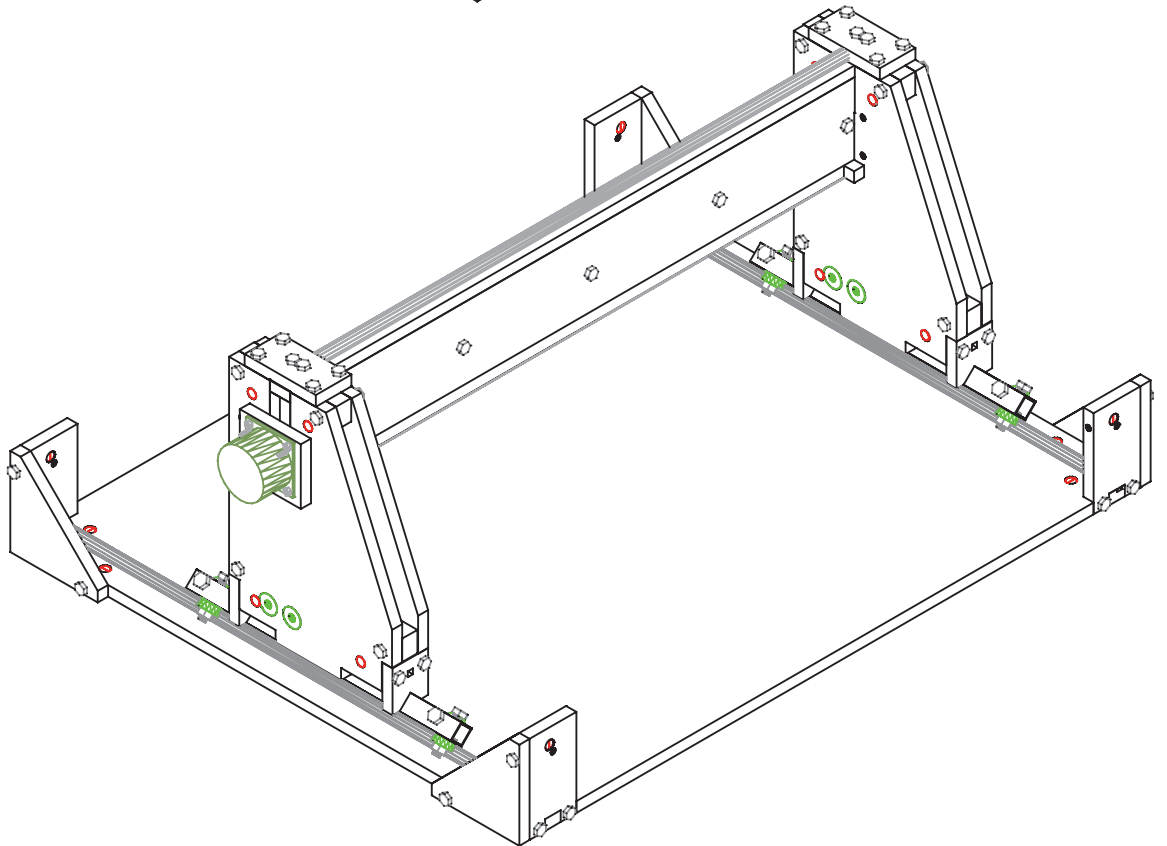
10.








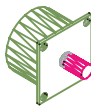










11.

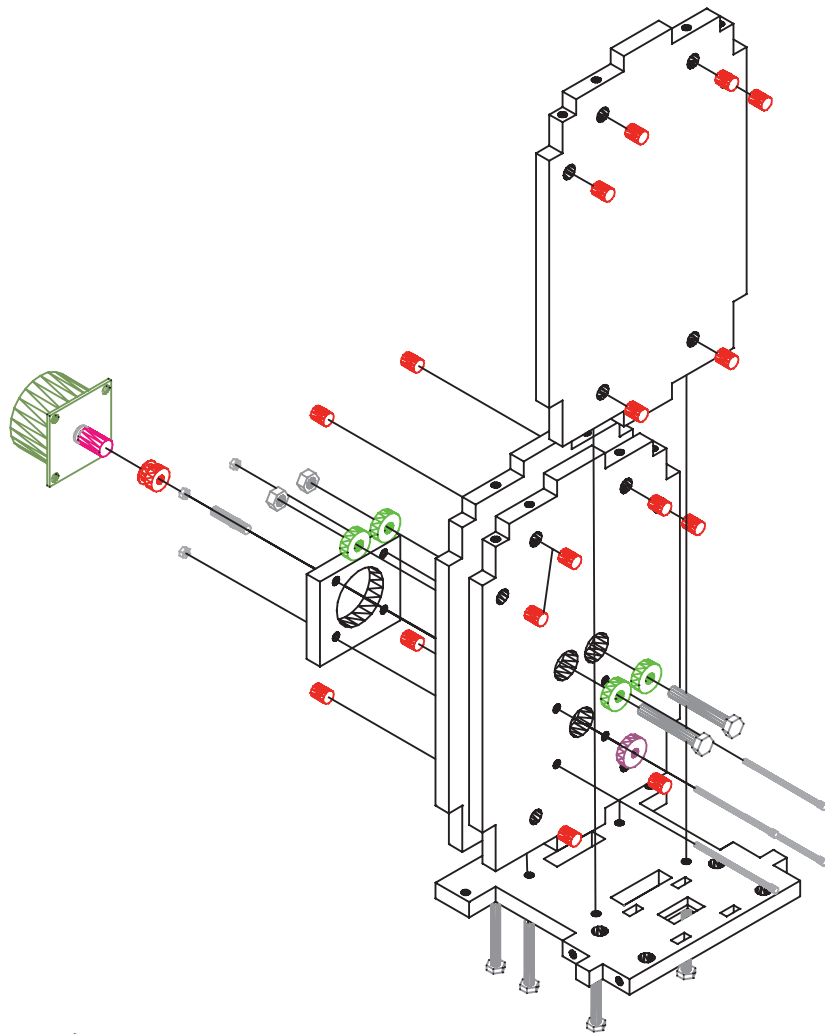


12.

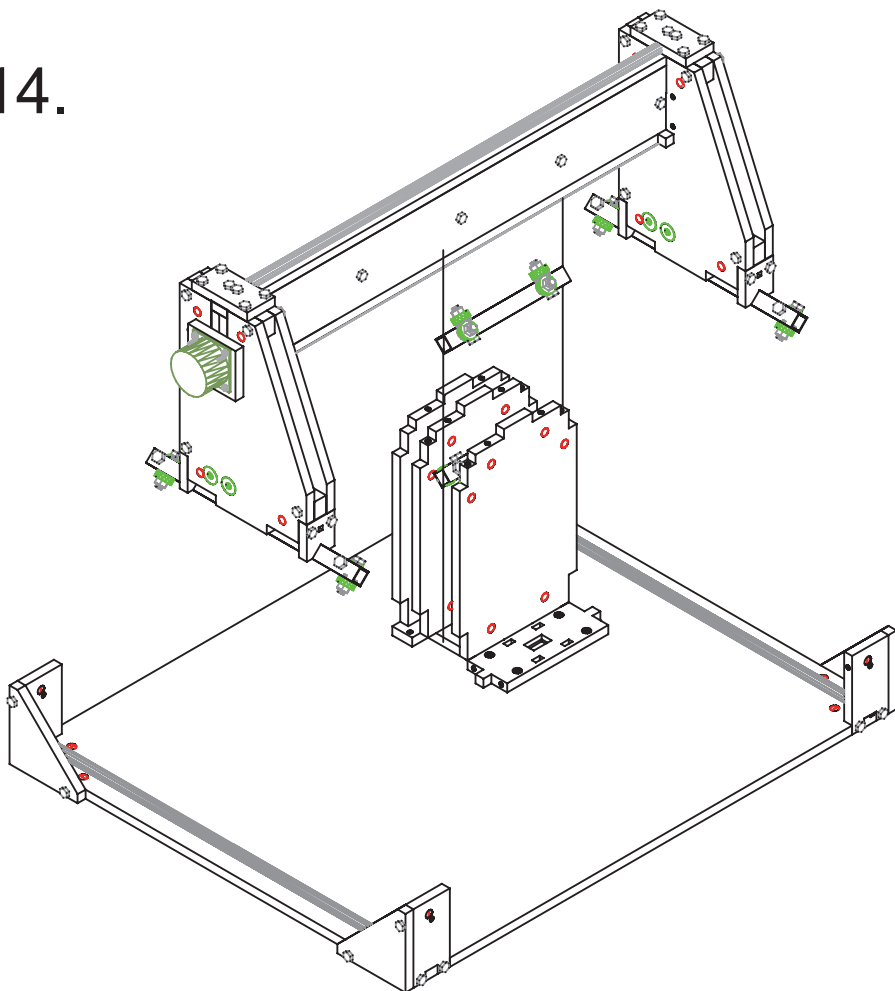



13.

	Bolt (#8 x 3") x4		Pulley (MXL 20 Tooth) x1
	Nut (#8) x4		X-Axis Shaft (0.25" x 2" rod) x1
	Bolt (0.25"x2") x6		Motor (w/shaft coupler) x1
	Cross Nut x16		Skate Bearing (8mm ID 22mm OD) x4
	Bolt (8mmx55mm) x2		Imperial Bearing (0.25" ID 0.875" OD) x1
	Nut (8mm) x2		X Cart Connector 3 (Inner) x1
	Motor Spacer x1		X Cart Connector 2 (Middle) x1
	X Cart Cap x1		X Cart Connector 1 (Outer) x1

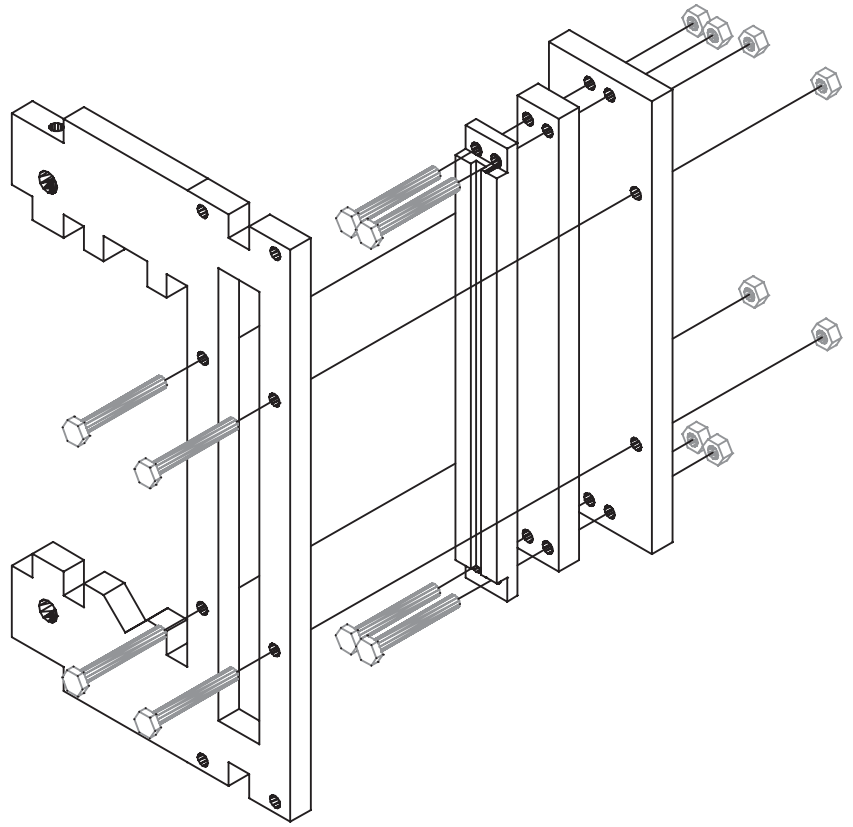
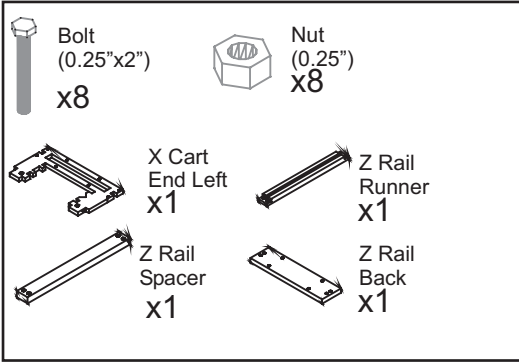


14.

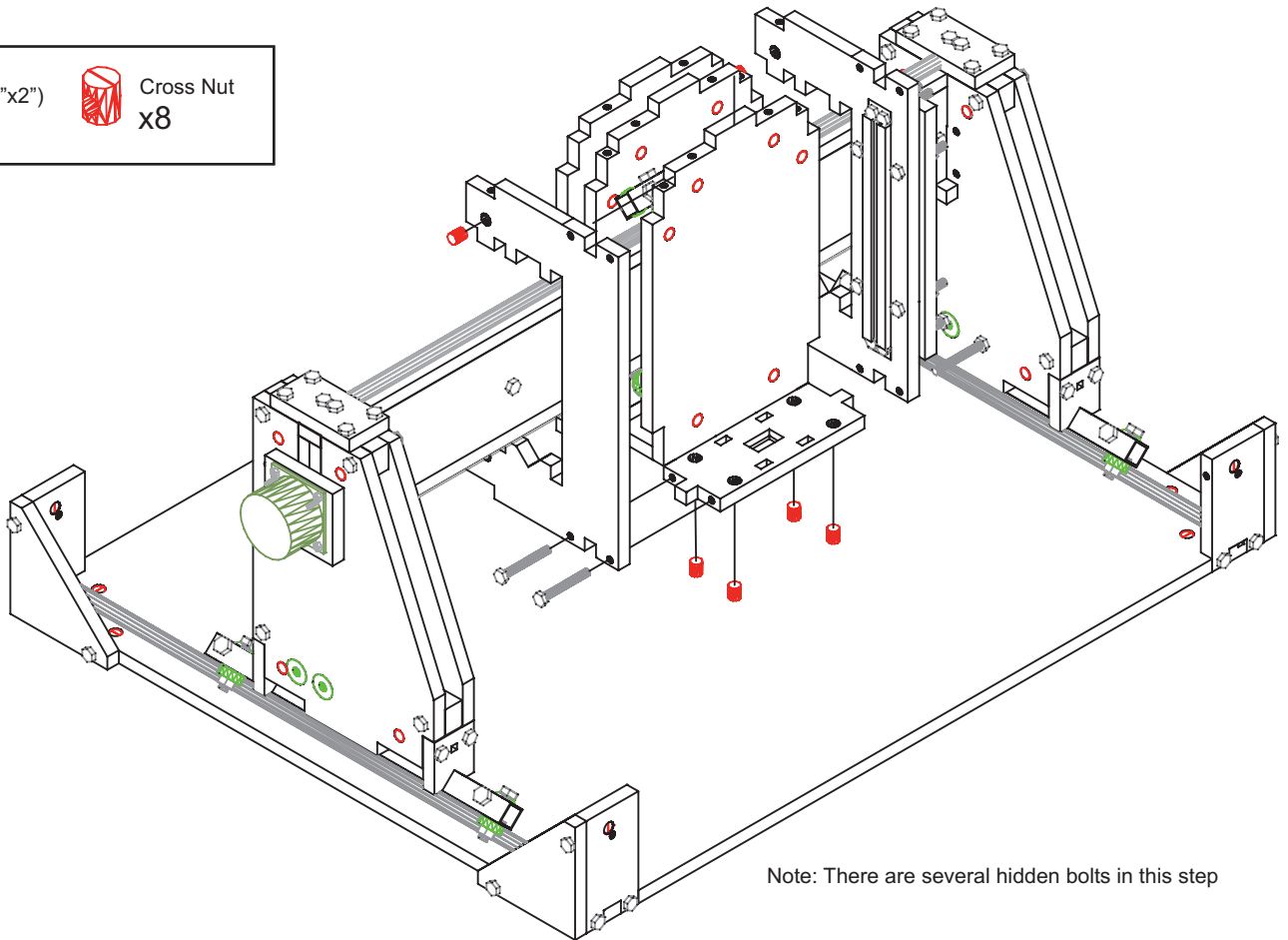
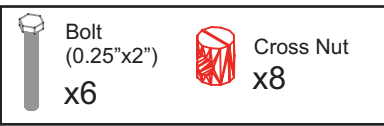


	X Axis Runner (Long) (7.5") x1
---	-----------------------------------

15.

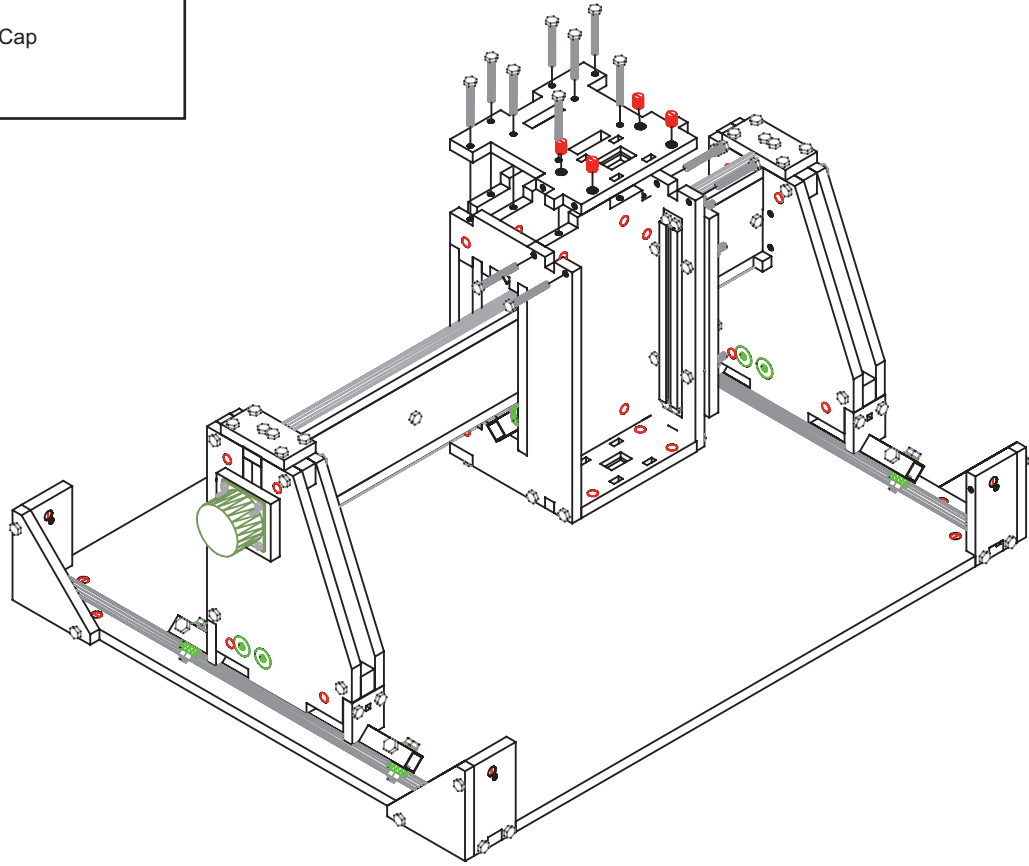
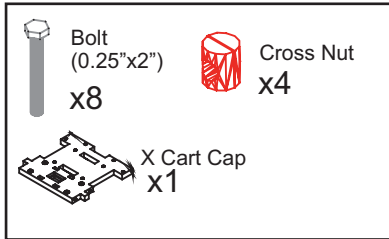


16.

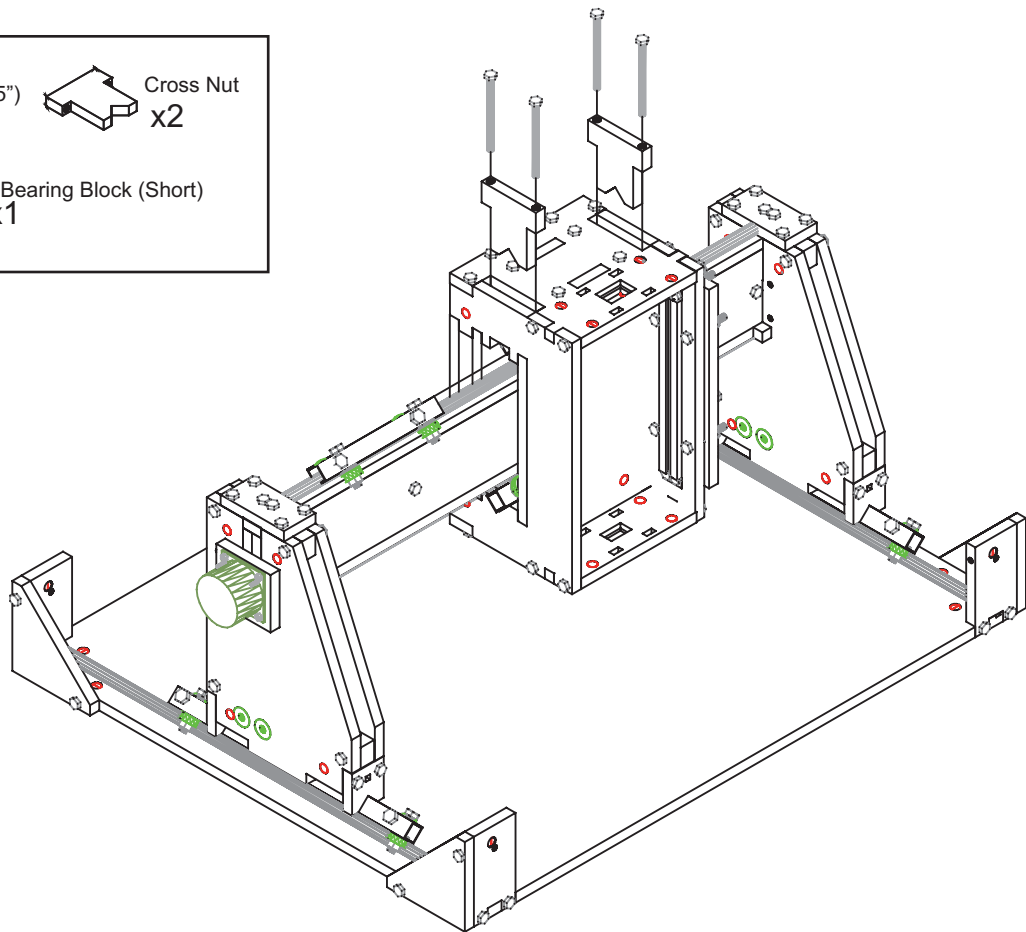
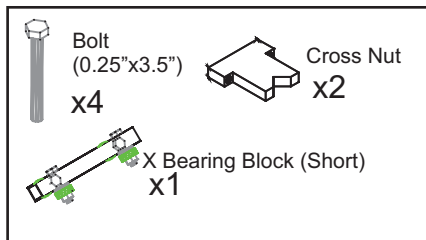


Note: There are several hidden bolts in this step

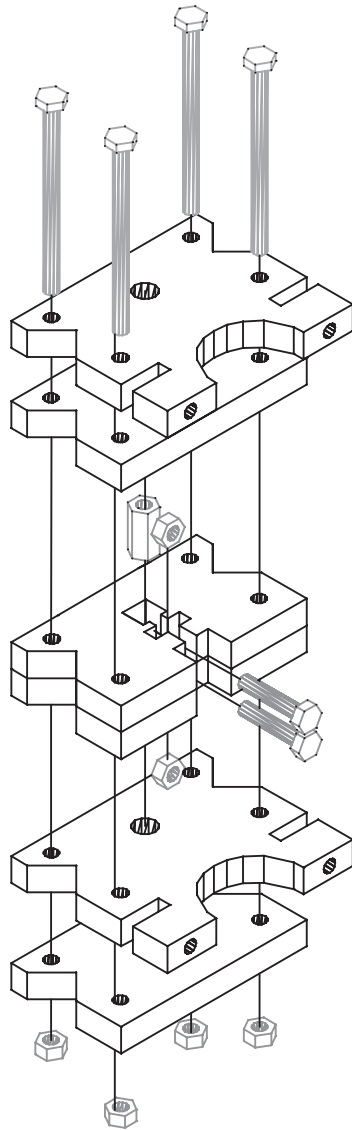
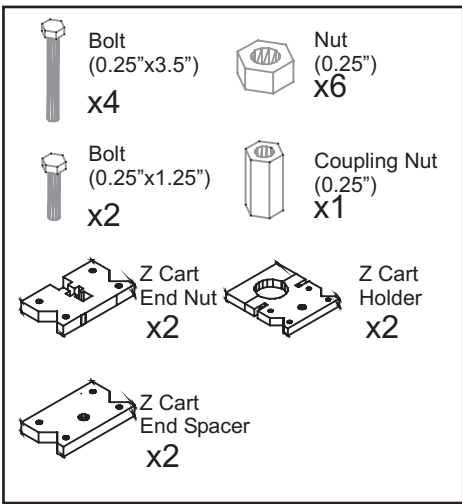
17.



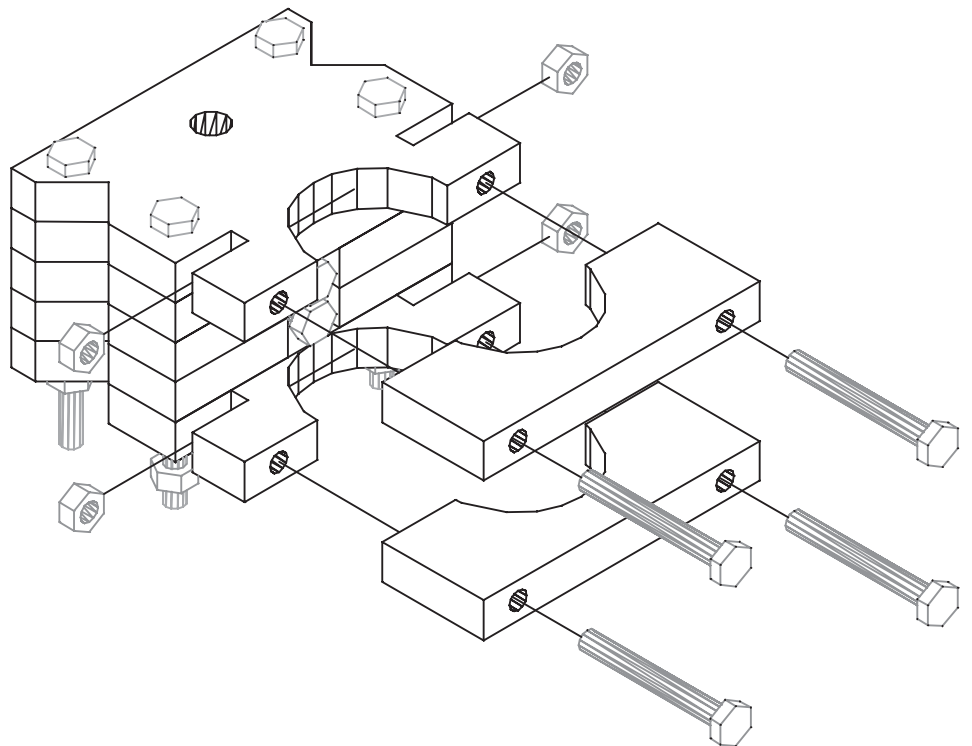
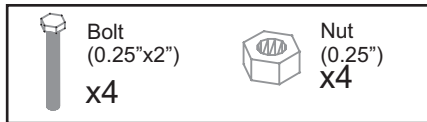
18.



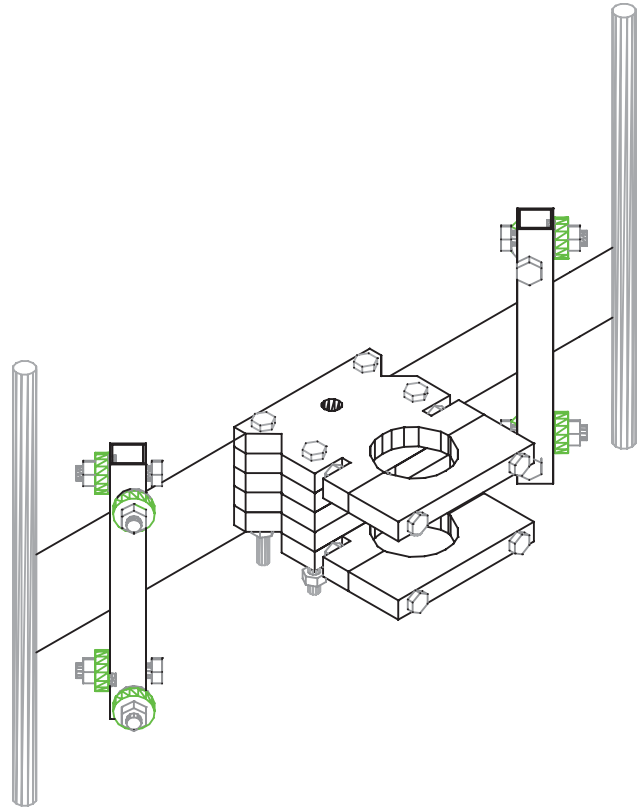
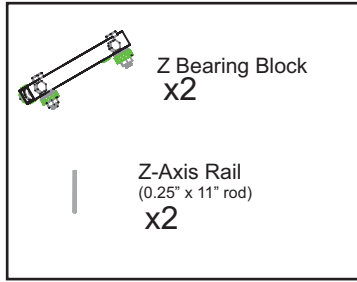
19.



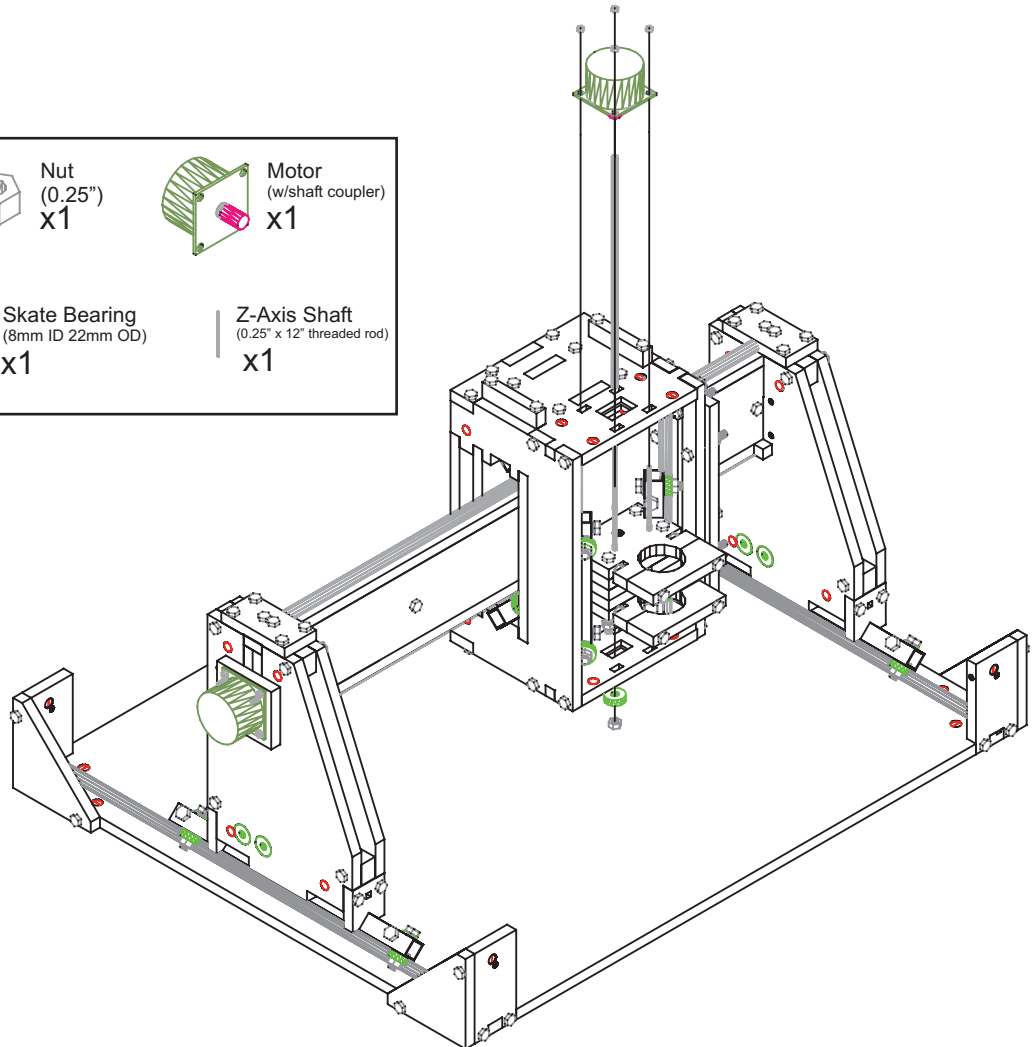
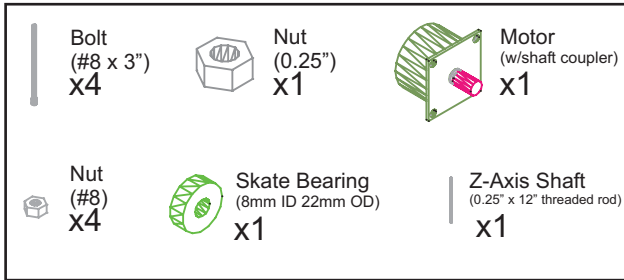
20.



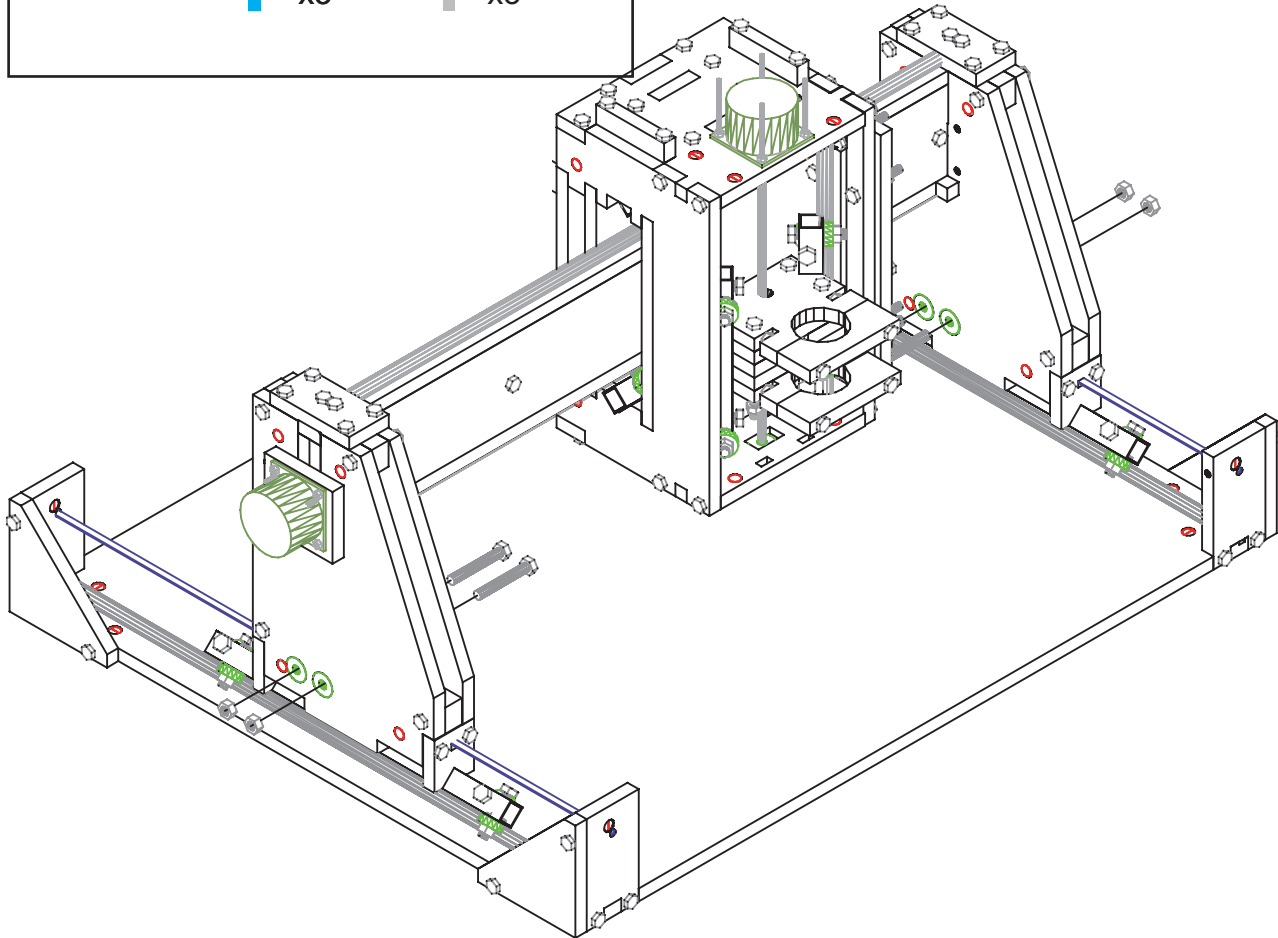
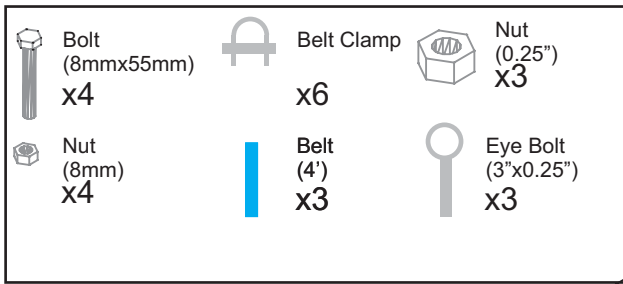
21.



22.



23.



Note: Drawing the belt threading step exceeds my AutoCAD abilities therefore I shall end with a rather wordy explanation

1. Attach belt clamp to the end of each of the three lengths of belt

(For the Y Axis) (x 2)

2. thread belt through the hole in the front belt holder
3. thread the belt through the gap in the front Y-block holder
4. thread the belt under the front shaft of the bearing'd bolt
5. run the belt up and over the pulley attached to the Y-axis drive shaft
6. run the belt down and around the back bearing'd bolt
7. thread the belt through the gap in the back Y-block holder
8. Loop the belt through an eye bolt and clamp it with a belt clamp
9. put the eye-bolt through the hole in the back belt holder and attach a nut
10. Tighten the nut until the belt is taugt

(For the X-Axis)

11. Use a similar threading path for the X-axis except start by running the belt through the holes in the cart just behind the Y-axis motor